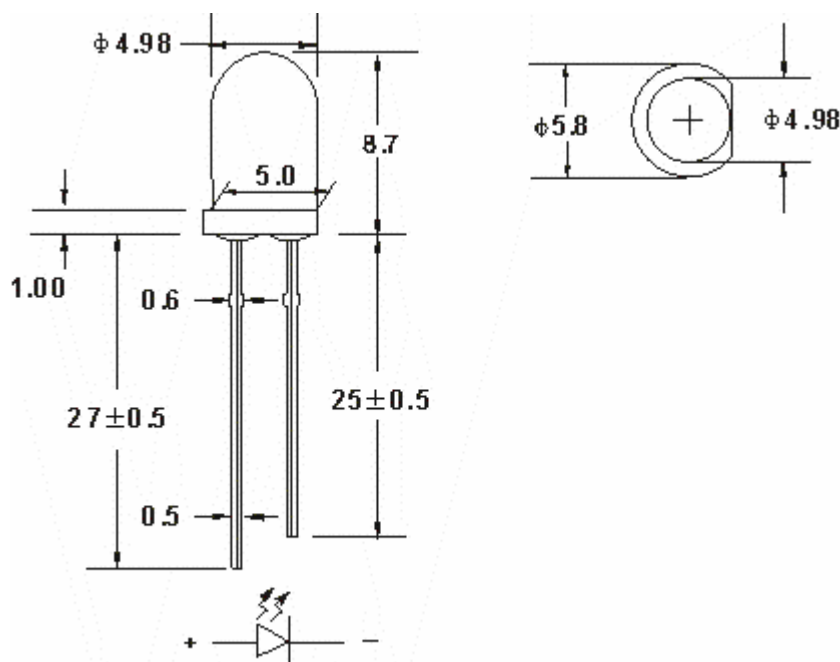


品名: 5W4VC-E40R

单位: mm

NOTE: TOLERANCE $\pm 0.5\text{mm}$

Parameter	Symbol	MIN.	TYP.	MAX.	UNIT	TEST CONDITION
Forward Voltage	V _F	3.0		4.0	V	I _F =20mA
Recommend Forward Current	I _F (Rec)		20		mA	
Reverse Current	I _R			10	μA	V _R =5V
Luminous Intensity	I _V	5500		7500	mcd	I _F =20mA
Peak Wavelength	λ _p		B/Y		nm	
Peak Forward Current	I _f (Peak)			200	mA	
Power dissipation	P _d			150	mW	
View Angle	2θ _{1/2}	30	40	45	deg	

■ ABSOLUTE MAXIMUM RATINGS: (T_a=25°C)

■ OPERATING TEMPERATURE: -40°C TO +80°C

■ LEAD SOLDERING: 260°C FOR 5 SECONDS