

85SMX Crystals

ISSUE 4; 24 SEPTEMBER 2004

Delivery Options

- Please contact our sales office for current leadtimes

Holder Style

- 85SMX surface mount crystals are plastic encapsulated

General Specifications

- Load Capacitance (C_L): 6pF and 12.5pF standard
- Drive Level: 1.0 μ W max

Packaging

- 85SMX surface mount crystals are available packaged individually or on tape and reel

Standard Frequency Tolerance

- ± 20 ppm

Operating Temperature Ranges

- -20 to 70°C
- -40 to 85°C

Storage Temperature Range

- -55 to 125°C

Solder Condition

- For typical soldering conditions, please see the relevant page in Application Notes

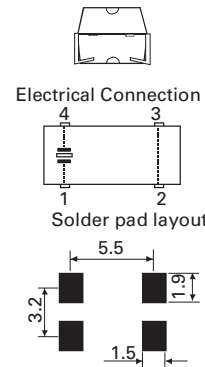
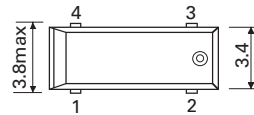
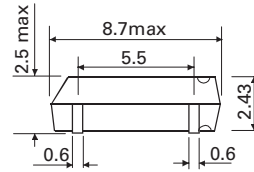
Marking

- Includes Frequency

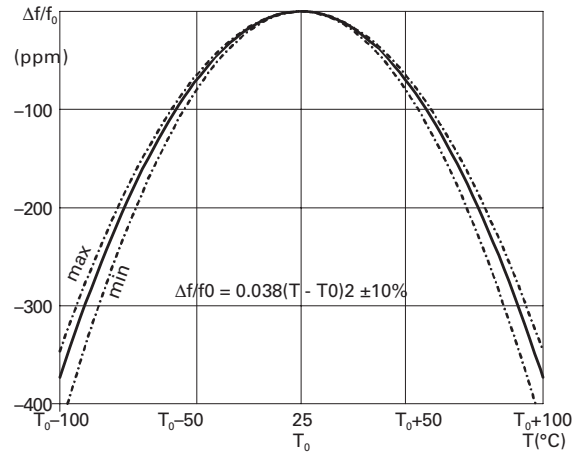
Minimum Order Information Required

- Frequency + Holder + Frequency Tolerance @ 25°C + Operating Temperature Range + Circuit Condition

Outline in mm - 85SMX



Frequency Temperature Curve



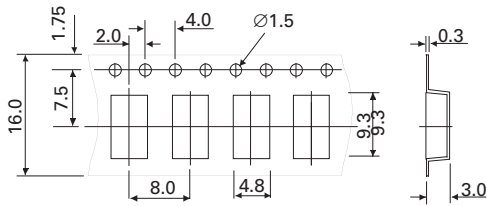


Electrical Specification – maximum limiting values

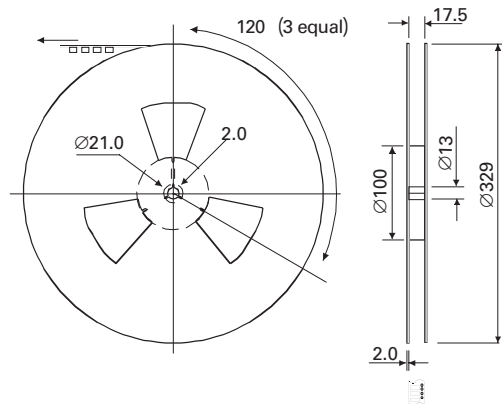
Frequency Range	Frequency Tolerance @ 25°C ±2°C	Operating Temperature Range	Frequency Stability	ESR max.	Vibration Mode
32.768kHz only	±20ppm to ±100ppm	-20 to 70°C	-80ppm	55kΩ	Fundamental X cut
		-40 to 85°C	-160ppm		

SURFACE MOUNT QUARTZ CRYSTALS

Outline in mm - Tape



Outline in mm - Reel



Europe Tel: +44 (0)1460 270200 Fax: +44 (0)1460 72578
 Americas Tel: +1 919 941 9333 Fax: +1 919 941 9371
 Asia Tel: +86 755 8826 5991 Fax: +86 755 8826 5990

Website: www.cmac.com