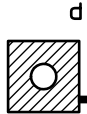




a



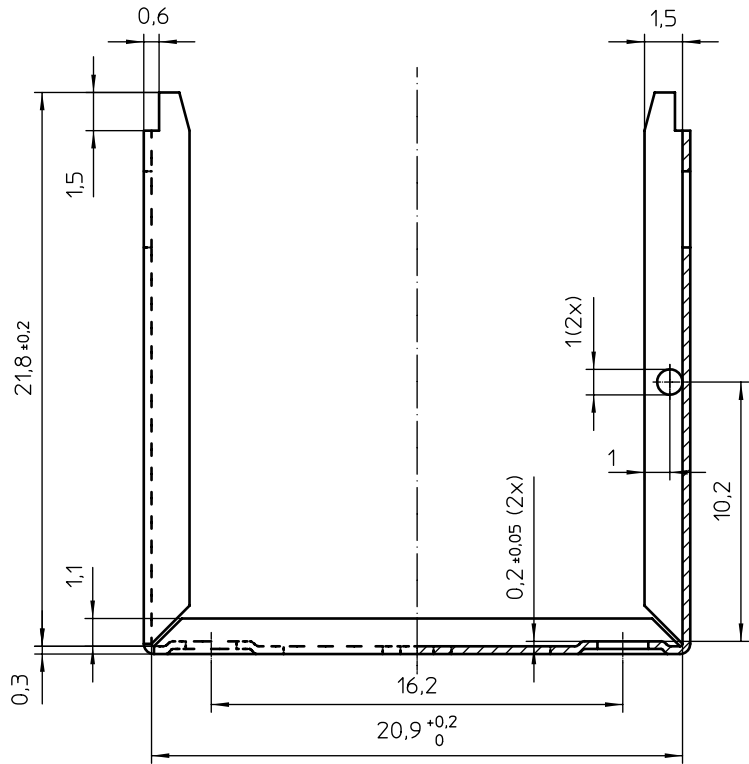
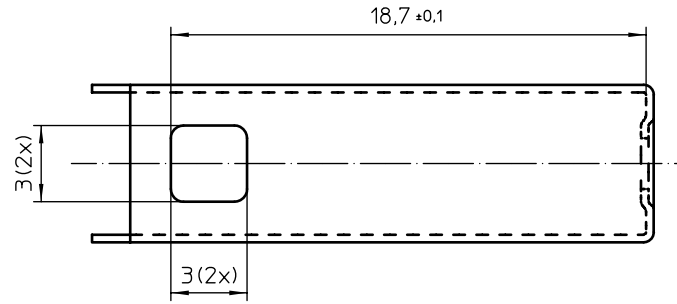
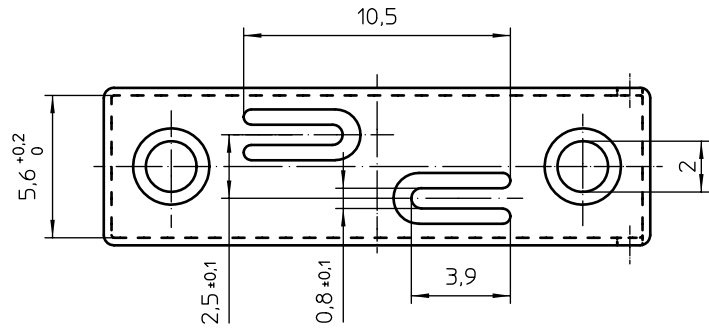
c

c



d

1 2 3 4 5 6 7 8



Material : CuZn - Ni plated

CLASSNO.		91-11-22	
97-04-07		97-04-07	
NAME M.Veekens		SUPERV. 1	
MPA		112 - 001	
CHECK CONTR.		010	
DAT.		91-11-22	
Property of Eigendom van		© FERROXCUBE 2000	
CLA-E20/10/5		4322 021 20162	
		A3	

1 2 3 4

a
b
c
d