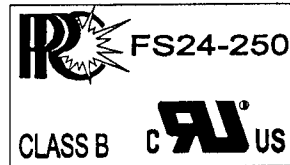


TOLERANCE UNLESS SPECIFIED = .XXX = +/- .005 .XX = +/- .015 FRACTIONS = +/- .032

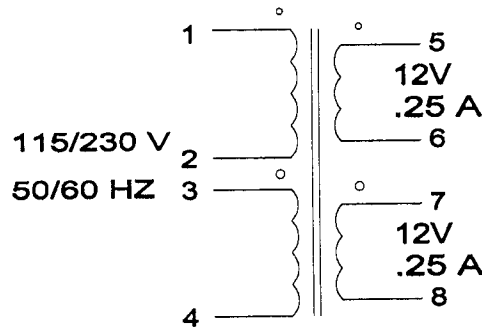
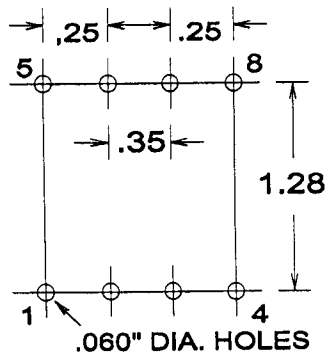
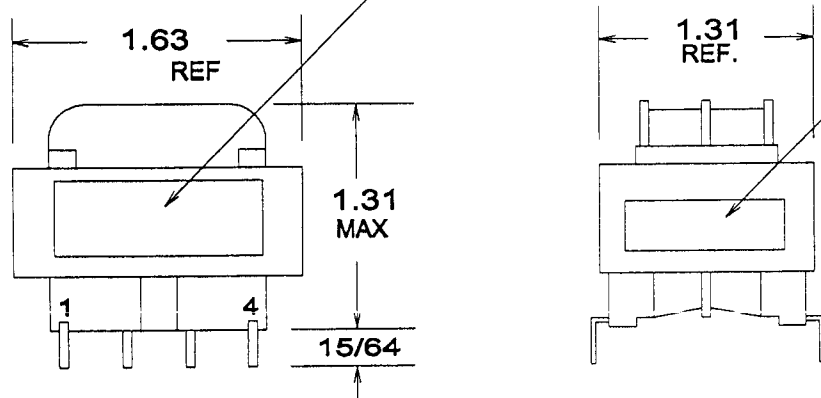
PRODUCTION TESTS

FS24-250.DC2

YYWW = YEAR, WEEK
XXX = SITECODE



EIA-17-YYWW
XXX B10



TURNS RATIO = 100%	
DC RESISTANCE IN OHMS	1-2 = 230 TO 283
	3-4 = 287 TO 350
	5-6 = 3.7 TO 4.5
	7-8 = 4.5 TO 5.5

MAX EXCITATION CURRENT = .015 A
APPLY = 230V 60 HZ, 1-4, TIE 2+3

OPEN CIRCUIT VOLTAGE TEST:
230V 60 HZ, 1-4, TIE 2+3
1-2 = 3-4 = 115V
EACH SEC, 14.1 TO 14.7 V

HIPOT: 2500V PRI'S TO SEC'S
1500V PRI'S, SEC'S TO CORE.
500V P-P, S-S

IMPREGNATION NOTES = 2 HOUR PREHEAT
PINS MUST BE FREE OF IMPREG.

FINAL ASSEMBLY NOTES

METHOD

1 X 1

MARKING

SEE LABEL DETAIL ABOVE



PART NO.: FS24-250