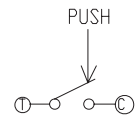
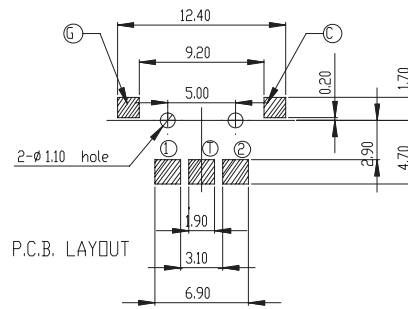


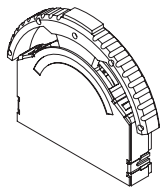
Multi-Direction Switches

Push & Lever Multifunction Switches with Click Feel

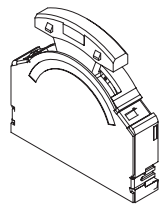
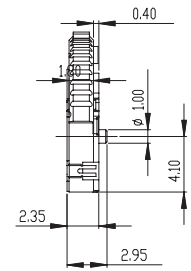
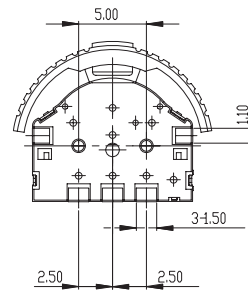
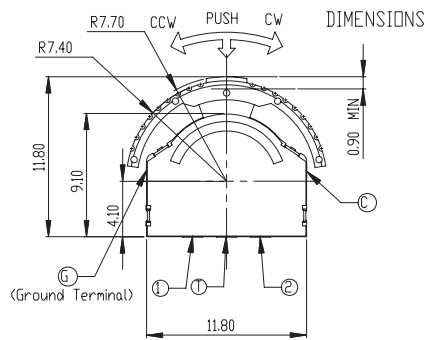
MB5 Series



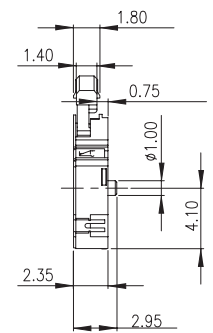
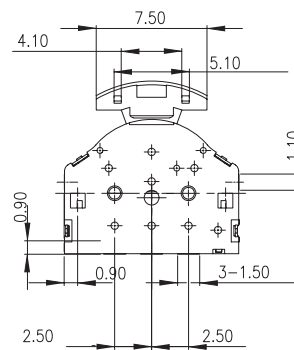
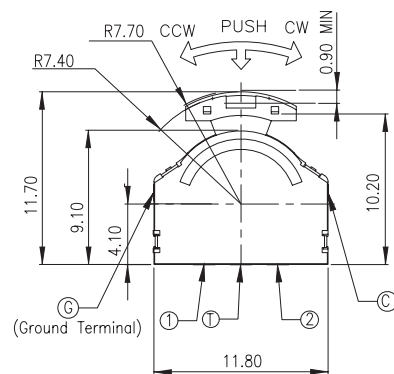
CIRCUIT DIAGRAM
(PUSH BOTTOM)



MB5MICTR



MB5MKCTR



Angle	25°	0°	25°
Terminal	(18)		(18)
①			
②			
③			

CCW ← → CW
CODE TABLE

General Specifications:

MATERIALS

- » Contact: Phosphor bronze with silver cladding at contact surface
- » Terminal: Phosphor bronze with silver cladding at contact surface
- » Spring: Stainless steel

MECHANICAL

- » Mechanical Life: 100,000 cycles
- » Operating Force:
 - (A) Center push: 200±100 gf
 - (B) Lever {CW,CCW}: 70±50 gf
- » Operating Temperature: -10°C to +60°C
- » Storage Temperature: -30°C to +80°C

ELECTRICAL

- » Electrical Life: 100,000 cycles
- » Rating: 10mA, 5VDC
- » Contact resistance: 500 Ω
- » Circuit: Single pole single throw

SOLDERING PROCESSES

- » Reflow Soldering: When applying reflow soldering, the peak temperature or the reflow oven should be set to 260°C max 10 seconds max..

How to order:

MB5 1 2 3

- 1 ACTUATOR:**
 - MI Mounting Knob Intergrated
 - MK Mounting Knob
- 2 CLICK FEEL:**
 - C With Click Feel

- 3 PACKING:**
 - TR Tape & Reel (900 pcs / reel)

General Tolerance: ± 0.2 mm

sales@greatecs.com

冠偉科技
GREATECS

www.greatecs.com

Multi-Direction Switches