

Solid state dual-in-line broadband noise generators

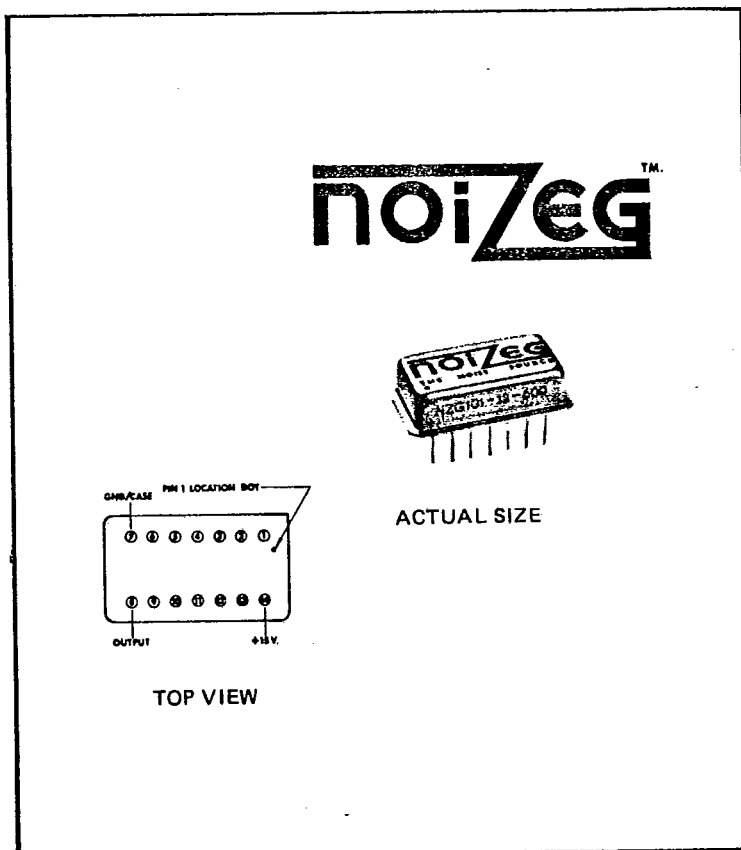
NZG series/100 Hz to 5 MHz

FEATURES:

- White Gaussian Noise*
- 14 Pin DIP
- Hermetically Sealed
- Mil-Std-202 (optional)
- Small Size and Weight
- *Bandlimited over specified bandwidth

COMMON SPECIFICATIONS:

- 0.870" L x 0.50" W x 0.240" H
- 10 Grams (max)
- Qualified Peak Factor: 5:1 (min)
- Frequency Flatness: ± 0.5 DB
- Temperature Coefficient: -0.05 DB/C°(nom.)
- Operating Voltage: +15V (1)
- Load Impedance: 600 ohms (2)
- Operating Current: 8 ma (nom.)



OTHER SPECIFICATIONS:

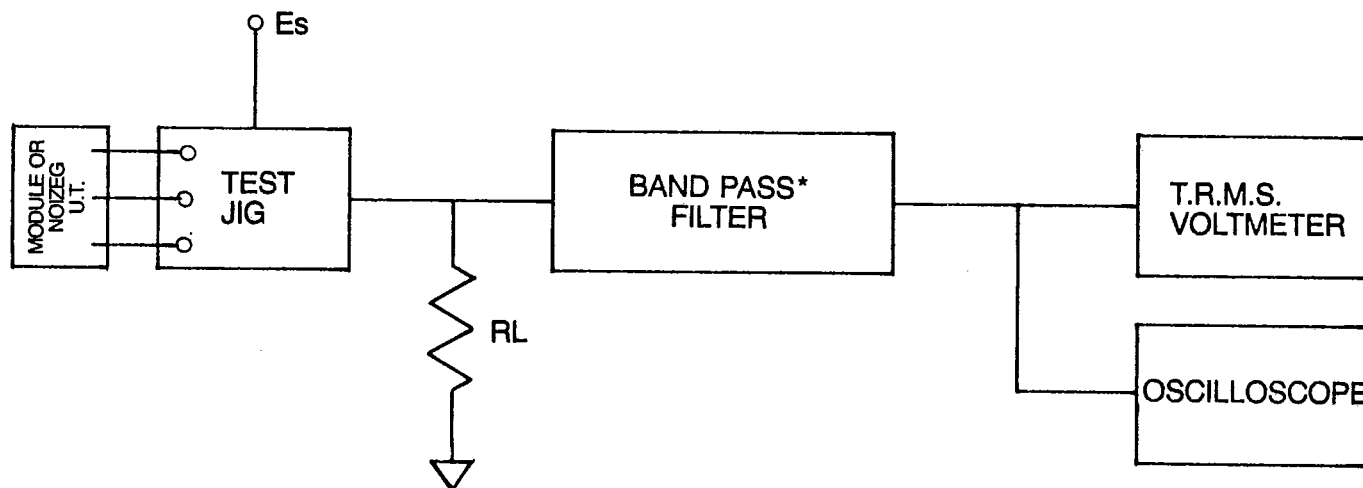
MODEL						
MINIMUM FREQUENCY RANGE						
100 Hz to 20 KHz	100 Hz- 100 KHz	100 Hz- 500 KHz	100 Hz- 1.0 MHz	100 Hz- 2.0 MHz	100 Hz- 5.0 MHz	Min-Output
NZG-5-20K	NZG-5-100K	NZG-5-500K	NZG-5-1M	NZG-5-2M	—	5 mv.
NZG-10-20K	NZG-10-100K	NZG-10-500K	NZG-10-1M	NZG-10-2M	NZG-10-5M	10 mv.
NZG-25-20K	NZG-25-100K	NZG-25-500K	NZG-25-1M	NZG-25-2M	NZG-25-5M	25 mv.
NZG-50-20K	NZG-50-100K	NZG-50-500K	NZG-50-1M	NZG-50-2M	NZG-50-5M	50 mv.
NZG-100-20K	NZG-100-100K	NZG100-500K	NZG-100-1M	NZG-100-2M	NZG-100-5M	100 mv.
NZG-150-20K	NZG-150-100K	NZG-150-500K	NZG-150-1M	NZG-150-2M	NZG-150-5M	150 mv.

(1) Certain Models available with +12V

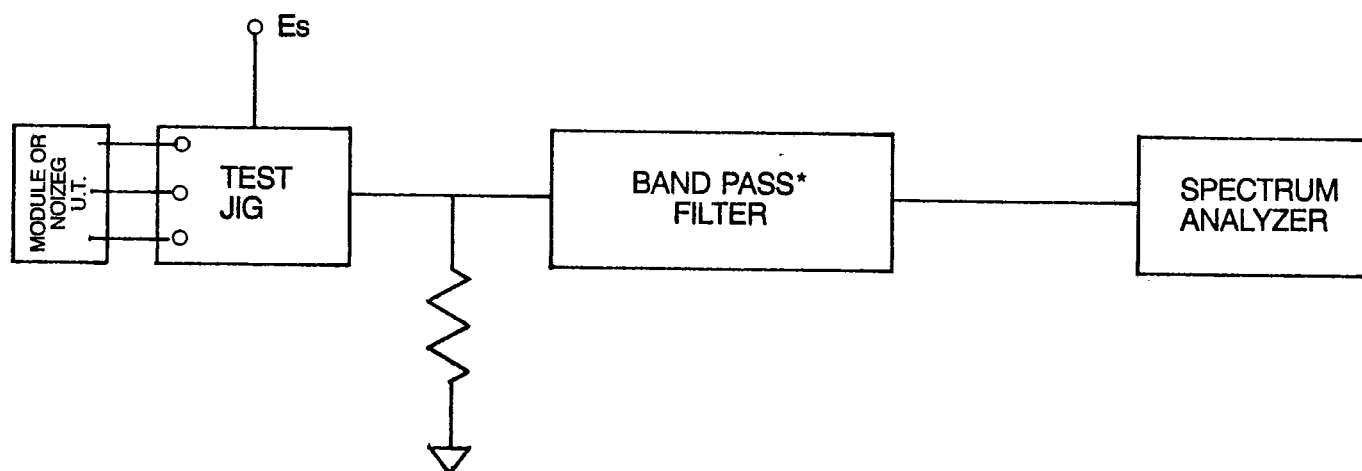
(2) Certain Models available with other impedances

Noise module and Noizeg testing procedure

BANDWIDTH OUTPUT AND SYMMETRY TEST



FREQUENCY RESPONSE TEST



SUGGESTED TEST EQUIPMENT USED:

1. E_s —Power Supply—Power Designs P/N 5020
2. Filter—Krohn-Hite P/N 3103R or 3500
3. T.R.M.S. V.M.—H.P.-3400A or Ballantine 321
4. Spectrum Analyzer—Rockland FFT512/S or H.P. 8500 Series
5. R_L —Resistive Load—HP 11095A-600 ohm; HP1166A-50 ohm

*All modules other than 5 MSD- and NOIZEG come equipped with their internal output filters.