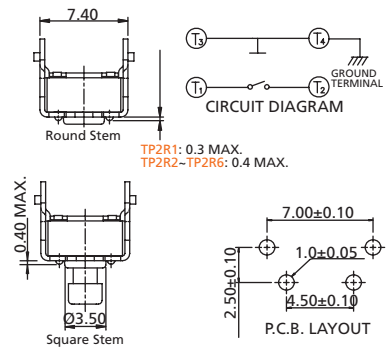
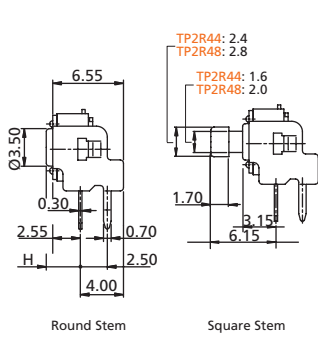
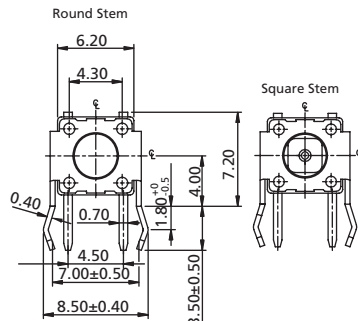


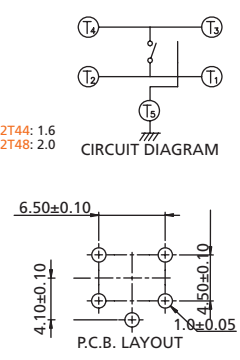
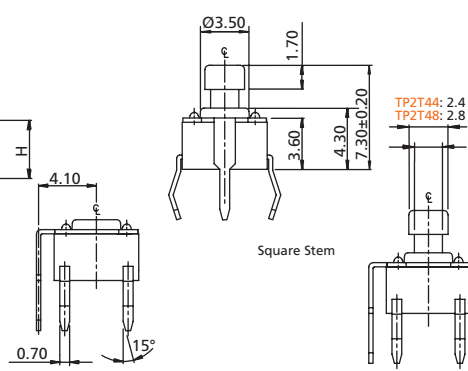
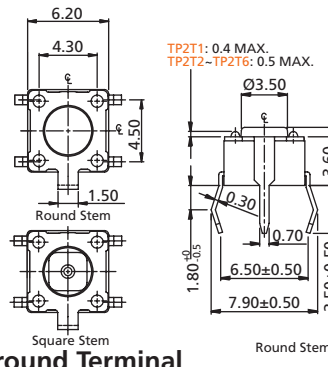
# Tactile Switches

## 6 x 6 mm THT Tactile Switches with Ground Terminal

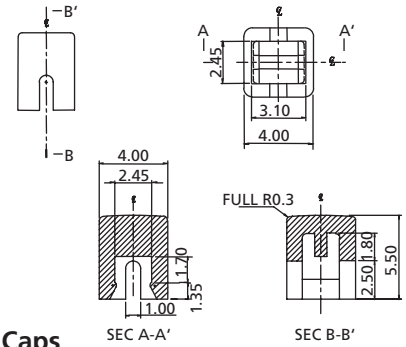
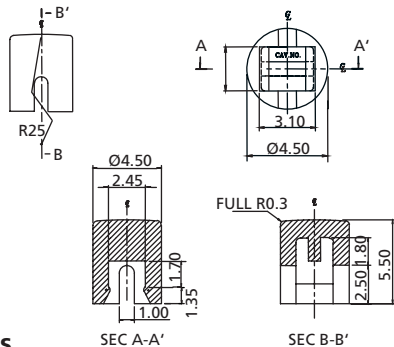
## TP2 Series



**TP2R** Right Angle Type with Ground Terminal



**TP2T** Top Type with Ground Terminal



**K06R** Round Caps

**K06S** Square Caps

### How to order:

TP2      +   (Caps)

- 1** TYPE OF TACTILE SWITCH:
    - R Right Angle Type with Ground Terminal
    - T Top Type with Ground Terminal
  - 2** DIMENSION "H" FOR TP2R:
    - 1 H=3.15mm (Round Stem)
    - 2 H=3.85mm (Round Stem)
    - 3 H=5.85mm (Round Stem)
    - 44 H=6.15mm (Square Stem 2.4mm)
    - 48 H=6.15mm (Square Stem 2.8mm)
    - 5 H=8.35mm (Round Stem)
    - 6 H=11.85mm (Round Stem)
  - 3** DIMENSION "H" FOR TP2T:
    - 1 H=4.3mm (Round Stem)
    - 2 H=5.0mm (Round Stem)
    - 3 H=7.0mm (Round Stem)
    - 44 H=7.3mm (Square Stem 2.4mm)
    - 48 H=7.3mm (Square Stem 2.8mm)
    - 5 H=9.5mm (Round Stem)
    - 6 H=13.0mm (Round Stem)
  - 4** MATERIAL OF DOME:
    - Blank Phosphor Bronze Dome
    - S Stainless Steel Dome
  - 5** PACKAGE STYLE:
    - BK Bulk Pack
  - 6** CAP TYPE (Only for Square Stems):
    - K06S Square Caps
    - K06R Round Caps
  - 7** COLOR OF CAPS:
    - A Black
    - B Ivory
    - C Red
    - E Yellow
    - F Green
    - G Blue
    - H Gray
    - S Salmon
- Individual stem heights available by request
- 8** STEM COLOR & OPERATING FORCE:
    - A Black & 100±50gf
    - K Brown & 160±50gf
    - C Red & 260±50gf
    - J Salmon & 320±80gf
    - E Yellow & 520±130gf

General Tolerance: ± 0.2 mm

### General Specifications:

#### MATERIALS

- » Contact Disc: Stainless steel
- » Terminal: Brass with silver plated

#### MECHANICAL

- » Stroke: 0.25 (+0.2/-0.1) mm
- » Operation Temperature: -25°C to +70°C
- » Storage Temperature: -30°C to +80°C

#### ELECTRICAL

- » Electrical Life (Phosphor Bronze Dome):
  - 50,000 cycles for 320gf, 520gf
  - 100,000 cycles for 260gf
  - 200,000 cycles for 100gf, 160gf
- » Electrical Life (Stainless Steel Dome):
  - 300,000 cycles for 320gf, 520gf
  - 500,000 cycles for 260gf
  - 1,000,000 cycles for 100gf, 160gf
- » Rating: 50mA, 12VDC
- » Contact Arrangement: 1 pole 1 throw

#### LEADFREE SOLDERING PROCESSES

- » Wave Soldering: Recommended solder temperature at 260°C max. 5 seconds subject to PCB 1.6mm thickness.