



液晶之友 电话: 020-33819057
Http://www.lcdfriends.com

**DISPLAY
WX320240A**

General Specification

ITEM	STANDARD VALUE	UNIT
Number of dots	320x240	dots
Outline dimension	92.2(W)x 73.3(H)x 7.8max(T)	mm
View area	81.4(W)x 62.2(H)	mm
Active area	76.78(W)x 57.58(H)	mm
Dot size	0.225(W)x 0.225(H)	mm
Dot pitch	0.24(W)x 0.24(H)	mm

Electrical Characteristics

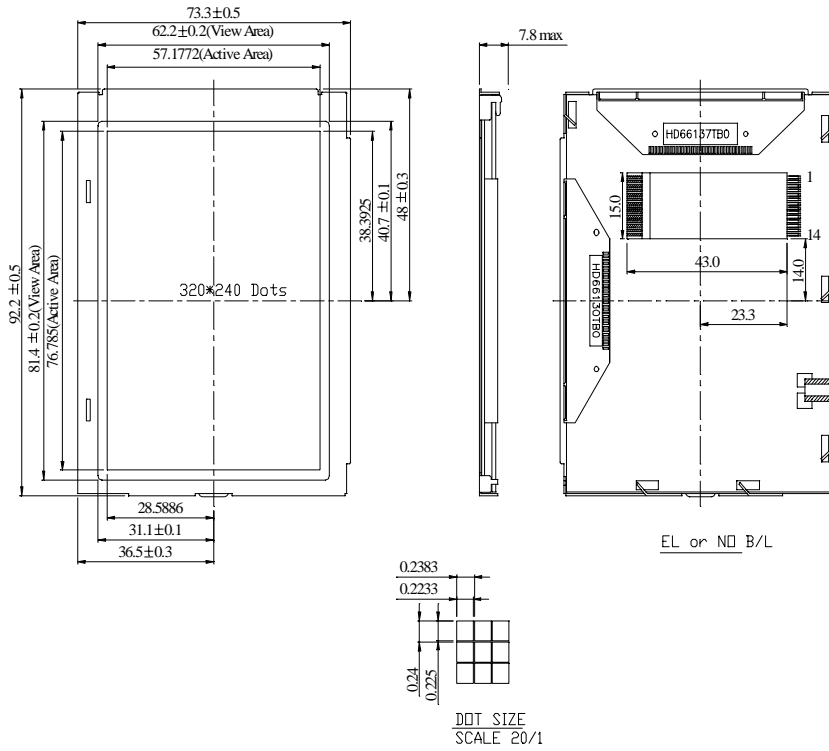
ITEM	SYMBOL	CONDITION	MIN.	TYP.	MAX.	UNIT
Logic Voltage	$V_{DD}-V_{SS}$		2.7	3.0	5.5	V
Supply Voltage For LCD	$V_{ee}-V_{ss}$	Ta= -20			23.6	V
		Ta=25		21.6		V
		Ta=+70	19.6			V
Input High Volt.	V_{IH}		$0.7V_{DD}$		V_{DD}	V
Input Low Volt.	V_{IL}		0		$0.3V_{DD}$	V
Output High Volt.	V_{OH}		2.4			V
Output Low Volt.	V_{OL}				0.4	V
Supply Current	I_{DD}				2.0	mA
	I_{EL}				30	mA



Via Damiano Chiesa 22/24 20059 Vimercate -MI- Tel +39 039.666.718 Fax +39 039.691.8209

www.skylab.it Italian Customer: skylab@skylab.it International Customer: euro.skylab@skylab.it

Contour Drawing & Block Diagram



PIN NO	SYMBOL
1	CL2
2	CL1
3	FLM
4	NC
5	DB0
6	DB1
7	DB2
8	DB3
9	Vee
10	Vdd
11	Vss
12	BLE
13	VELG
14	VEL

