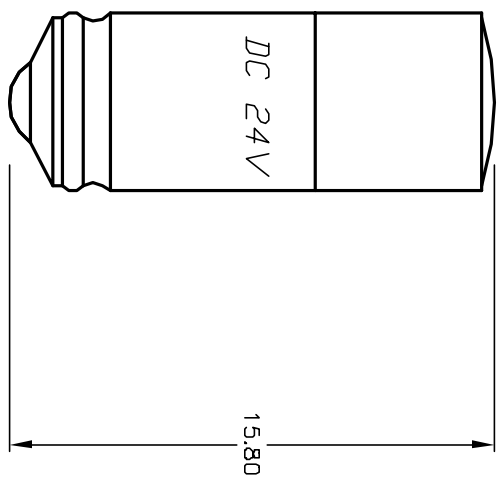
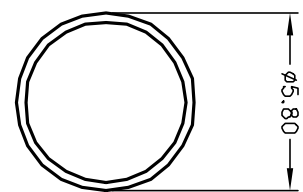


RED L.E.D

PARAMETERS	SYMBOL	TYP.	UNITS
AVE CURRENT	I_A	12	mA
EMISSION WAVELENGTH	λ_p	632	nm
LUMINOUS INTENSITY	I_f	350	mcd



NOTES:

1. ALL DIMENSIONS IN MM
2. GENERAL TOLERANCE: X.X=±0.4
X.XX=±0.25
3. VOLTAGE: 24V DC SEE ABOVE
4. OPERATING TEMP. -20°C to 60°C

REV.	ECN No.	DESCRIPTION	DATE	CHKD
A	11896	RELEASED FOR PRODUCTION	3/15/02	CJB

E-SWITCH®				
TITLE 50-004-23 (RED LED)				
SCALE	DATE	DR	DWG	REV
4:1	2/01/02	CJB	F050423	A

THE INFORMATION CONTAINED IN THIS DOCUMENT IS PROPRIETARY TO E-SWITCH AND IS NOT TO BE COPIED OR TRANSFERRED