

FEATURES

- Ultra-miniaturized design, extremely light weight
- 30A maximum continuous current

TYPICAL AUTOMOTIVE APPLICATIONS

- Motor control
- Lamp control
- Intermittent wiper
- Rear window and seat heating

CONTACT DATA

| | | |
|----------------------------|------------|----------------------------|
| Form | | 1 Form A (H), 1 Form C (Z) |
| Max. Switching Current | Make | 100A |
| | Break | 30A |
| Material | | AgSnOInO |
| Initial Contact Resistance | | 100 mΩ max. at 0.1A, 6VDC |
| Max. Switching Voltage | | 16VDC |
| Max. Continuous Current | | NC25A / NO30A |
| Min. Load | | 0.5A, 12VDC |
| Service Life | Mechanical | 10 ⁷ ops. |
| | Electrical | 10 ⁵ ops. |

COIL DATA

| Coil Voltage Code | Nominal Voltage (VDC) | Resistance (Ω) ±10% | | Must Operate Voltage max. (VDC) | Allowable Voltage (VDC) | Must Release Voltage min. (VDC) |
|-------------------|-----------------------|---------------------|-------|---------------------------------|-------------------------|---------------------------------|
| | | Power Consumption | | | | |
| 006 | 6 | 64 | 0.55W | 3.5 | 13.6 | 0.75 |
| 010 | 10 | 181 | | 5.7 | 22.7 | 1.25 |
| 012 | 12 | 254 | | 6.9 | 27.2 | 1.5 |
| 024 | 24 | 1000 | | 14.0 | 54.4 | 3.0 |

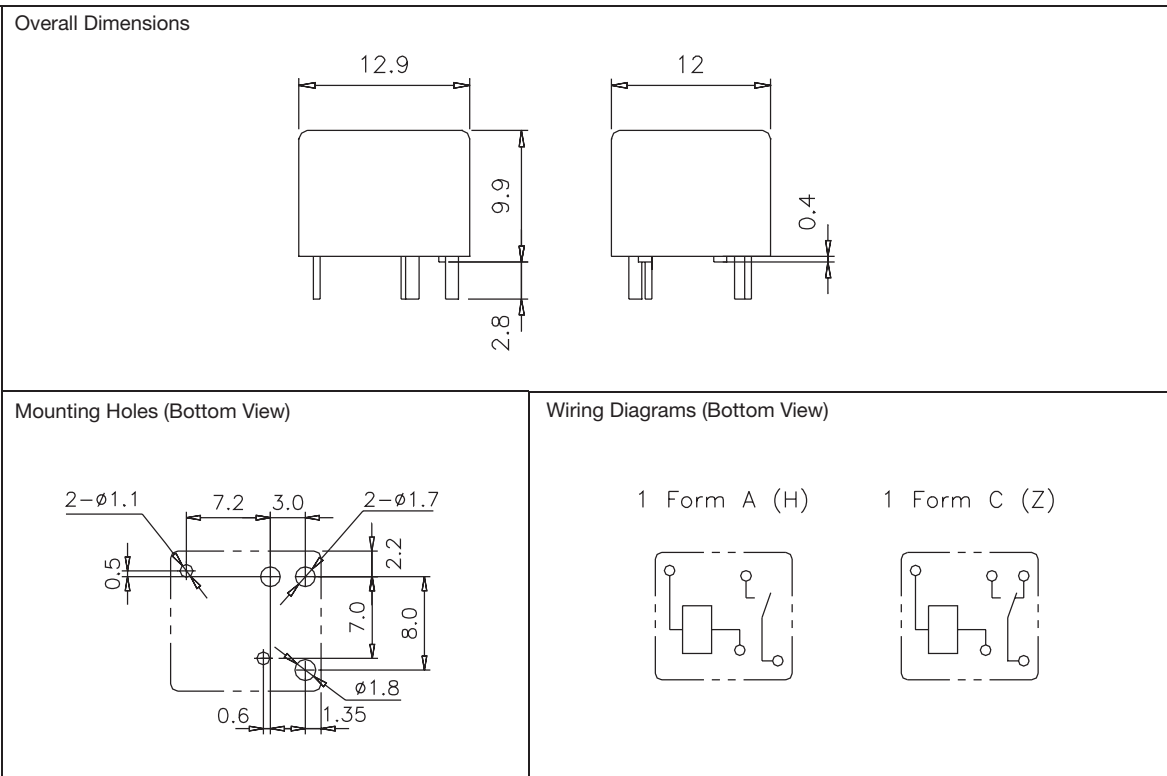
CHARACTERISTICS

| | |
|-----------------------|--------------------------------------------------|
| Operate Time | 3 ms. typical |
| Release Time | 1.5 ms. typical |
| Insulation Resistance | 100 MΩ, at 500 VDC, 50%RH |
| Dielectric Strength | 500 Vrms, 1 min. |
| Shock Resistance | 30 g, 6ms. |
| Vibration Resistance | 6 g, 10 - 500 Hz |
| Drop Resistance | 1 M height drop on concrete |
| Power Consumption | 0.55W, approx. |
| Ambient Temperature | -40°C to 105°C operating; -40°C to 155°C storage |
| Weight | 4 g, approx. |

ORDERING DESIGNATION

| | | | | | |
|--------------------------|----------|-------|---|---|---|
| Example: | HG4520 / | 012 - | H | 1 | S |
| Model | | | | | |
| Coil Voltage Code | | | | | |
| Contact Form | | | | | |
| H: 1 Form A; Z: 1 Form C | | | | | |
| Version | | | | | |
| 1: Sealed | | | | | |
| Contact Material | | | | | |
| A: AgNi0.15; S: AgSnOInO | | | | | |

OVERALL DIMENSIONS, MOUNTING HOLES AND WIRING DIAGRAMS (mm)



NOTES

1. All parameters, unless otherwise specified, are measured at ambient temperature 23°C.
2. Maximum make current refers to inrush current of lamp load.
3. At ambient temperature of 85°C, maximum allowable voltage should be reduced to 72%.
4. Electrical life obtained at resistive load at 20A, 13.5 VDC on NO contacts with operating frequency of 6 ops/min.
5. To exert optimum electrical life, please remove the tape tab/knock-off nib of sealed version after cleaning process.
6. Custom-made services available with operational quantity. Please let us know your special requirements.
7. Specifications subject to change without prior notice.