

Recommended Noise Filter  
NAC-06-472



High voltage pulse noise type : NAP series  
Low leakage current type : NAM series  
\*The Noise Filter is recommended to connect with several devices.

- ① Series name
- ② Output wattage
- ③ Universal input
- ④ Output voltage
- ⑤ Optional
- C : with Coating
- G : Low leakage current
- J2 : Mini terminal block
- R : with Remote ON/OFF
- S : with Chassis
- SN : with Chassis & cover
- Y : with Potentiometer

| MODEL                 | LEA100F-3R3-Y | LEA100F-5 | LEA100F-9 | LEA100F-12 | LEA100F-15 | LEA100F-18 | LEA100F-24 | LEA100F-24-H  | LEA100F-30 | LEA100F-48 |
|-----------------------|---------------|-----------|-----------|------------|------------|------------|------------|---------------|------------|------------|
| MAX OUTPUT WATTAGE[W] | 66            | 100       | 103.5     | 102        | 100.5      | 100.8      | 103.2      | 103.2         | 105        | 105.6      |
| DC OUTPUT             | *5 3.3V 20A   | 5V 20A    | 9V 11.5A  | 12V 8.5A   | 15V 6.7A   | 18V 5.6A   | 24V 4.3A   | 24V 4.3(5.0)A | 30V 3.5A   | 48V 2.2A   |

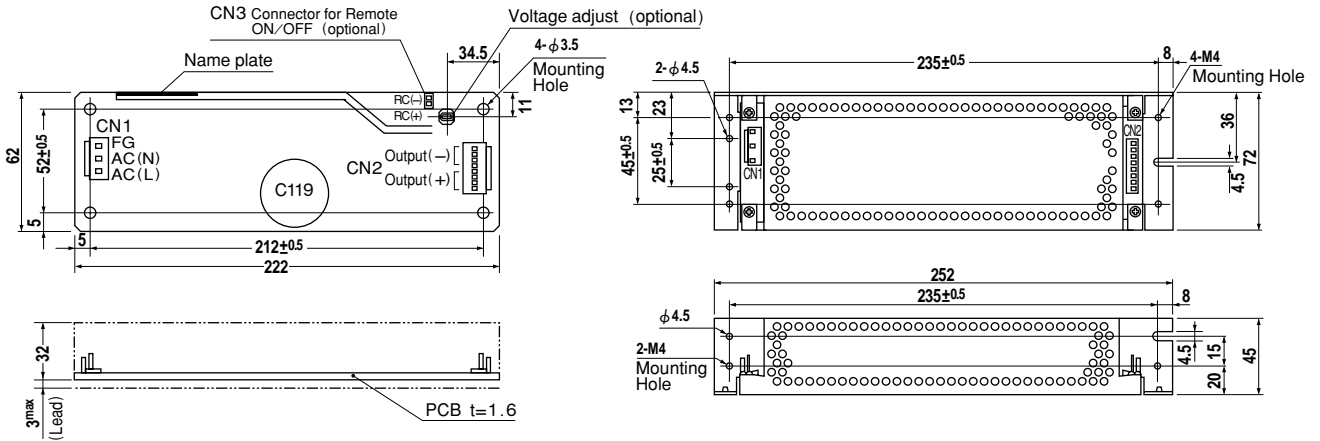
## SPECIFICATIONS

|                               | MODEL  | LEA100F-3R3-Y   | LEA100F-5  | LEA100F-9   | LEA100F-12  | LEA100F-15  | LEA100F-18  | LEA100F-24  | LEA100F-24-H   | LEA100F-30  | LEA100F-48 |        |
|-------------------------------|--|---|--|-------------|-------------|-------------|-------------|-------------|----------------|-------------|------------|--------|
| INPUT                         | VOLTAGE[V]                                       | AC85 - 264 1 φ or DC120 - 370   |  |             |             |             |             |             |                |             |            |        |
|                               | CURRENT[A]                                       | ACIN 100V   | 1.0  | 1.4typ      |             |             |             |             |                |             |            |        |
|                               |  | ACIN 200V   | 0.5  | 0.7typ      |             |             |             |             |                |             |            |        |
|                               | FREQUENCY[Hz]                                    | 50/60 (47 - 63) or DC   |  |             |             |             |             |             |                |             |            |        |
|                               | EFFICIENCY[%]                                    | ACIN 100V   | 71typ  | 75typ       | 79typ       | 79typ       | 79typ       | 81typ       | 81typ          | 81typ       | 82typ      | 83typ  |
|                               |  | ACIN 200V   | 73typ  | 78typ       | 81typ       | 81typ       | 82typ       | 83typ       | 84typ          | 84typ       | 85typ      | 85typ  |
|                               | POWER FACTOR                                     | ACIN 100V   | 0.98typ  | 0.99typ     |             |             |             |             |                |             |            |        |
|                               |  | ACIN 200V   | 0.92typ  | 0.94typ     |             |             |             |             |                |             |            |        |
| INRUSH CURRENT[A]             | ACIN 100V  | 15typ (Io=100%) (At cold start) (Ta=25°C)   |  |             |             |             |             |             |                |             |            |        |
|                               | ACIN 200V  | 30typ (Io=100%) (At cold start) (Ta=25°C)   |  |             |             |             |             |             |                |             |            |        |
| LEAKAGE CURRENT[mA]           | 0.75max (60Hz, According to IEC60950 and DEN-AN) |   |  |             |             |             |             |             |                |             |            |        |
| OUTPUT                        | VOLTAGE[V]                                       | 3.3   | 5  | 9           | 12          | 15          | 18          | 24          | 24             | 30          | 48         |        |
|                               | CURRENT[A]                                       | *1 20   | 20   | 11.5        | 8.5         | 6.7         | 5.6         | 4.3         | 4.3 (Peak 5.0) | 3.5         | 2.2        |        |
|                               | LINE REGULATION[mV]                              | 20max   | 20max  | 36max       | 48max       | 60max       | 72max       | 96max       | 96max          | 120max      | 192max     |        |
|                               | LOAD REGULATION[mV]                              | 40max   | 40max  | 100max      | 100max      | 120max      | 120max      | 150max      | 150max         | 180max      | 300max     |        |
|                               | RIPPLE[mVp-p]                                    | 0 to +50°C *2   | 80max  | 80max       | 120max      | 120max      | 120max      | 120max      | 150max         | 150max      | 180max     | 300max |
|                               |  | -10 - 0°C *2  | 140max   | 140max      | 160max      | 160max      | 160max      | 160max      | 160max         | 160max      | 160max     | 200max |
|                               | RIPPLE NOISE[mVp-p]                              | 0 to +50°C *2   | 120max   | 120max      | 150max      | 150max      | 150max      | 150max      | 150max         | 150max      | 150max     | 350max |
|                               |  | -10 - 0°C *2  | 160max   | 160max      | 180max      | 180max      | 180max      | 180max      | 180max         | 180max      | 180max     | 400max |
|                               | TEMPERATURE REGULATION[mV]                       | 0 to +50°C  | 50max  | 50max       | 90max       | 120max      | 150max      | 180max      | 240max         | 240max      | 300max     | 480max |
|                               |  | -10 to +50°C  | 60max  | 60max       | 120max      | 150max      | 180max      | 200max      | 290max         | 290max      | 360max     | 600max |
|                               | DRIFT[mV]  | *3 20max  | 20max  | 36max       | 48max       | 60max       | 72max       | 96max       | 96max          | 120max      | 192max     |        |
|                               | START-UP TIME[ms]                                | 500max (ACIN 100V, Io=100%)   |  |             |             |             |             |             |                |             |            |        |
|                               | HOLD-UP TIME[ms]                                 | 20typ (Io=100%)   |  |             |             |             |             |             |                |             |            |        |
|                               | OUTPUT VOLTAGE ADJUSTMENT RANGE[V]               | 2.85 - 3.6  | Fixed (*Y which can be adjusted the output is available as optional: ±10%) |             |             |             |             |             |                |             |            |        |
| OUTPUT VOLTAGE SETTING[V]     | 3.25 - 3.35                                      | 4.9 - 5.3   | 8.6 - 9.4  | 11.5 - 12.5 | 14.4 - 15.6 | 17.3 - 18.7 | 23.0 - 25.0 | 23.0 - 25.0 | 28.5 - 31.5    | 46.0 - 50.0 |            |        |
| PROTECTION CIRCUIT AND OTHERS | OVERCURRENT PROTECTION                           | Works over 105% of rating (works over 105% of peak current at option -H) and recovers automatically |  |             |             |             |             |             |                |             |            |        |
|                               | OVERVOLTAGE PROTECTION                           | 4.00 - 5.25V   Works at 115 - 140% of rating  |  |             |             |             |             |             |                |             |            |        |
|                               | OPERATING INDICATION                             | Not provided  |  |             |             |             |             |             |                |             |            |        |
|                               | REMOTE SENSING                                   | Not provided  |  |             |             |             |             |             |                |             |            |        |
| REMOTE ON/OFF                 | Option (Refer to Instruction Manual)             |   |  |             |             |             |             |             |                |             |            |        |
| ISOLATION                     | INPUT-OUTPUT · RC                                | *4 AC3.000V 1minute, Cutoff current = 10mA, DC500V 50MΩ min (At Room Temperature)                   |  |             |             |             |             |             |                |             |            |        |
|                               | INPUT-FG   | AC2.000V 1minute, Cutoff current = 10mA, DC500V 50MΩ min (At Room Temperature)                      |  |             |             |             |             |             |                |             |            |        |
|                               | OUTPUT · RC-FG                                   | *4 AC500V 1minute, Cutoff current = 100mA, DC500V 50MΩ min (At Room Temperature)                    |  |             |             |             |             |             |                |             |            |        |
|                               | OUTPUT-RC  | *4 AC100V 1minute, Cutoff current = 100mA, DC100V 10MΩ min (At Room Temperature)                    |  |             |             |             |             |             |                |             |            |        |
| ENVIRONMENT                   | OPERATING TEMP., HUMID. AND ALTITUDE             | -10 to +70°C, 20 - 90%RH (Non condensing) (Refer to DERATING CURVE), 3,000m (10,000feet) max        |  |             |             |             |             |             |                |             |            |        |
|                               | STORAGE TEMP., HUMID. AND ALTITUDE               | -20 to +75°C, 20 - 90%RH (Non condensing), 9,000m (30,000feet) max                                  |  |             |             |             |             |             |                |             |            |        |
|                               | VIBRATION  | 10 - 55Hz, 19.6m/s <sup>2</sup> (2G), 3minutes period, 60minutes each along X, Y and Z axis         |  |             |             |             |             |             |                |             |            |        |
|                               | IMPACT   | 196.1m/s <sup>2</sup> (20G), 11ms, once each X, Y and Z axis  |  |             |             |             |             |             |                |             |            |        |
| SAFETY AND NOISE REGULATIONS  | AGENCY APPROVALS                                 | UL60950-1, C-UL, EN60950-1, EN50178 Complies with DEN-AN and IEC60950-1 (At only AC input)          |  |             |             |             |             |             |                |             |            |        |
|                               | CONDUCTED NOISE                                  | Complies with FCC-B, CISPR22-B, EN55022-B, VCCI-B   |  |             |             |             |             |             |                |             |            |        |
|                               | HARMONIC ATTENUATOR                              | Complies with IEC61000-3-2  |  |             |             |             |             |             |                |             |            |        |
| OTHERS                        | CASE SIZE/WEIGHT                                 | 62 X 35 X 222mm (W X H X D) /380g max (without chassis and cover)                                   |  |             |             |             |             |             |                |             |            |        |
|                               | COOLING METHOD                                   | Convection  |  |             |             |             |             |             |                |             |            |        |

\*1 Peak load for 10 sec. or less is acceptable if the total wattage is less than the rated wattage.  
 \*2 This is the value that measured on measuring board with capacitor of 22 μF within 150mm from output terminal.  
 Measured by 20MHz oscilloscope or Ripple-Noise meter (Equivalent to KEISOKU-GIKEN: RM101).  
 \*3 Drift is the change in DC output for an eight hour period after a half-hour warm-up at 25°C,

with the input voltage held constant at the rated input/output.  
 \*4 Applicable when remote control (optional) is added.  
 \*5 ( ): peak current.  
 \* Parallel operation with other model is not possible.  
 \* Derating is required when operated with chassis and cover.

External view



| I / O Connector | Mating Connector | Terminal |                      |
|-----------------|------------------|----------|----------------------|
| CN1             | B3P5-VH          | VHR-5N   | Chain: SVH-21T-P1.1  |
|                 |                  |          | Loose: BVH-21T-P1.1  |
| CN2             | B8P-VH           | VHR-8N   | Chain: SVH-21T-P1.1  |
|                 |                  |          | Loose: BVH-21T-P1.1  |
| CN3             | B2B-XH-A         | XHP-2    | Chain: SXH-001T-P0.6 |
|                 |                  |          | Loose: BXH-001T-P0.6 |

(PIN CONNECTION)

| Pin No. | Input |
|---------|-------|
|         | 1     |
| 2       |       |
| 3       | AC(N) |
| 4       |       |
| 5       | FG    |

| Pin No. | Output |
|---------|--------|
|         | 1~4    |
| 5~8     | +V     |

(Optional)

| Pin No. | Remote ON/OFF |
|---------|---------------|
|         | 1             |
| 2       | RC(-)         |

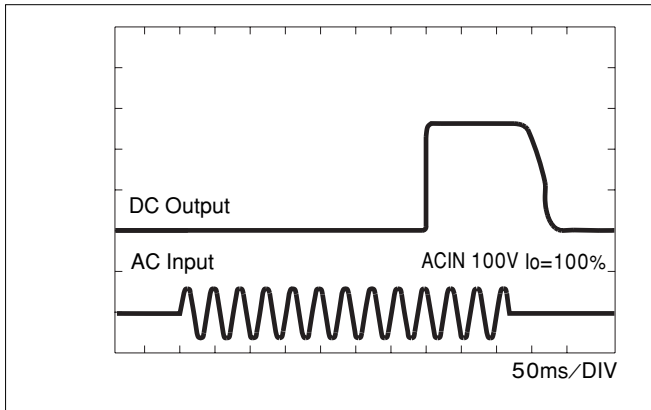
(Mfr: J.S.T.)

※Keep drawing current per pin below 5A for CN2

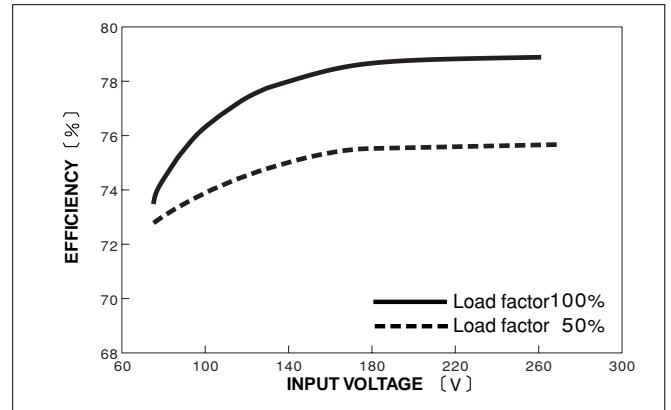
- ※Weight: 380g or less (Without chassis and cover)
- ※Tolerance: ±1
- ※Dimensions in mm.
- ※PCB Material: Glass composite (CEM3)
- ※Chassis and cover is optional.
- ※Chassis and cover is not available to remote ON/OFF unit.
- ※Mounting torque: 1.5N · m(16kgf · cm)max

Performance data

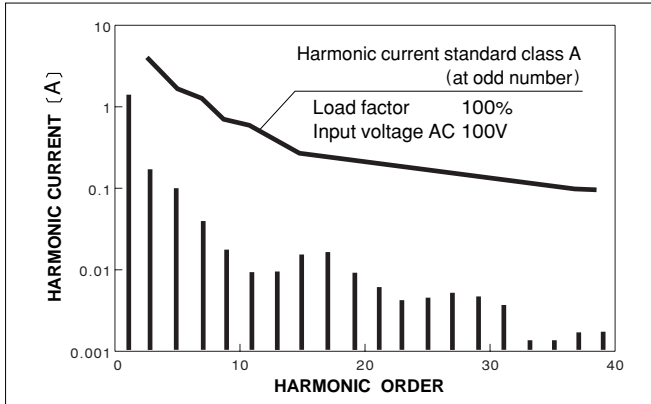
RISE TIME & FALL TIME (LEA100F-5)



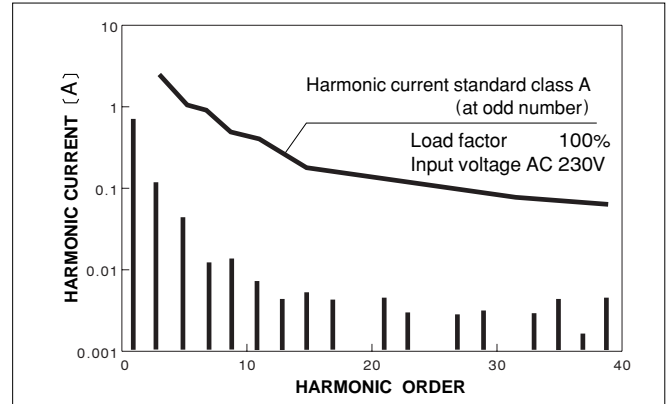
EFFICIENCY (LEA100F-5)



INPUT HARMONIC CURRENT (LEA100F-5)



INPUT HARMONIC CURRENT (LEA100F-5)



Distribution:

RSG Electronic Components GmbH ▪ Spremlinger Landstr. 115 ▪ D-63069 Offenbach/Germany  
 Tel. +49 69 984047-0 ▪ Fax +49 69 984047-77 ▪ info@rsg-electronic.de ▪ www.rsg-electronic.de

Änderungen vorbehalten / subject to change without notice