

PLEASE CHECK WWW.MOLEX.COM FOR LATEST PART INFORMATION

Part Number: [0855085001](#)
Status: **Active**
Overview: [modular_plugs_jacks](#)
Description: Modular Jack, Vertical, Shielded, 8/8, Cat5E

Documents:

[3D Model](#) [Product Specification PS-85508-001 \(PDF\)](#)
[Application Specification \(PDF\)](#) [RoHS Certificate of Compliance \(PDF\)](#)
[Drawing \(PDF\)](#)

Agency Certification

UL E107635

General

Product Family	Modular Jacks/Plugs
Series	85508
Comments	External Shield
Component Type	PCB Jack
Magnetic	No
Overview	modular_plugs_jacks
Performance Category	5e
Power over Ethernet (PoE)	N/A
Product Name	RJ45

Physical	
Color - Resin	Black
Durability (mating cycles max)	500
Flammability	94V-0
Inverted / Top Latch	No
Lightpipes/LEDs	None
Material - Metal	Brass, Phosphor Bronze
Material - Plating Mating	Gold
Material - Plating Termination	Tin
Material - Resin	High Temperature Thermoplastic
Orientation	Vertical (Top Entry)
PCB Locator	Yes
PCB Retention	Yes
PCB Thickness Recommended (in)	0.062 In
PCB Thickness Recommended (mm)	1.57 mm
Packaging Type	Tray
Pitch - Mating Interface (in)	0.050 In
Pitch - Mating Interface (mm)	1.27 mm
Pitch - Term. Interface (in)	0.050 In
Pitch - Term. Interface (mm)	1.27 mm
Plating min: Mating (µin)	1.27
Plating min: Mating (µm)	50
Plating min: Termination (µin)	1.90
Plating min: Termination (µm)	75
Ports	1
Positions / Loaded Contacts	8/8
Surface Mount Compatible (SMC)	No
Temperature Range - Operating	-40°C to +80°C
Termination Interface: Style	Through Hole
Wire/Cable Type	N/A

Electrical

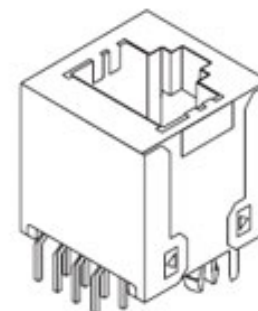


image - Reference only

Series

EU RoHS

**ELV and RoHS
Compliant**
**REACH SVHC
Contains SVHC: No**
**Halogen-Free
Status**

China RoHS



**Need more information on product
environmental compliance?**

Email productcompliance@molex.com
For a multiple part number RoHS Certificate of
Compliance, [click here](#)

Please visit the [Contact Us](#) section for any
non-product compliance questions.

Search Parts in this Series

[85508Series](#)

Mates With

FCC 68 Plugs

Current - Maximum per Contact	1.5A
Shielded	Yes
Voltage - Maximum	125V

Solder Process Data

Duration at Max. Process Temperature (seconds)	3
Lead-free Process Capability	Wave Capable (TH only)
Max. Cycles at Max. Process Temperature	1
Process Temperature max. C	260

Material Info

Reference - Drawing Numbers

Packaging Specification	PK-95123
Product Specification	PS-85508-001
Sales Drawing	SD-85508-501

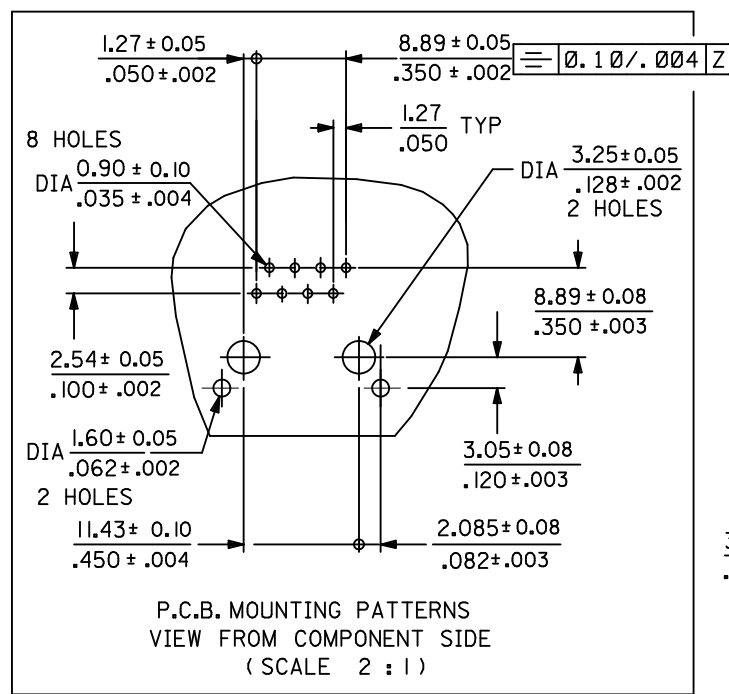
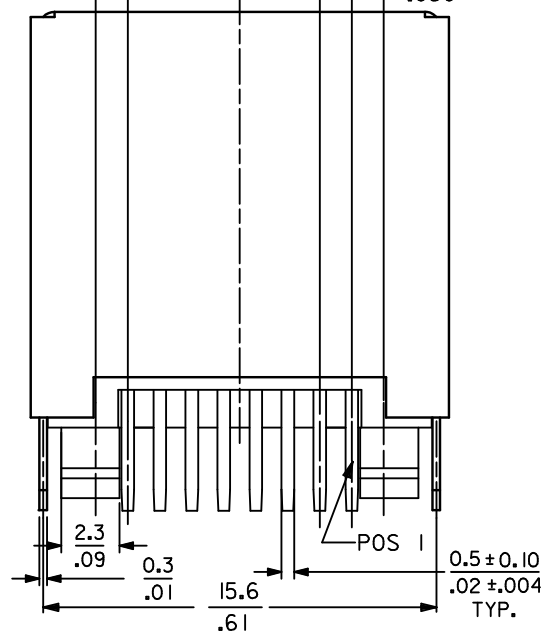
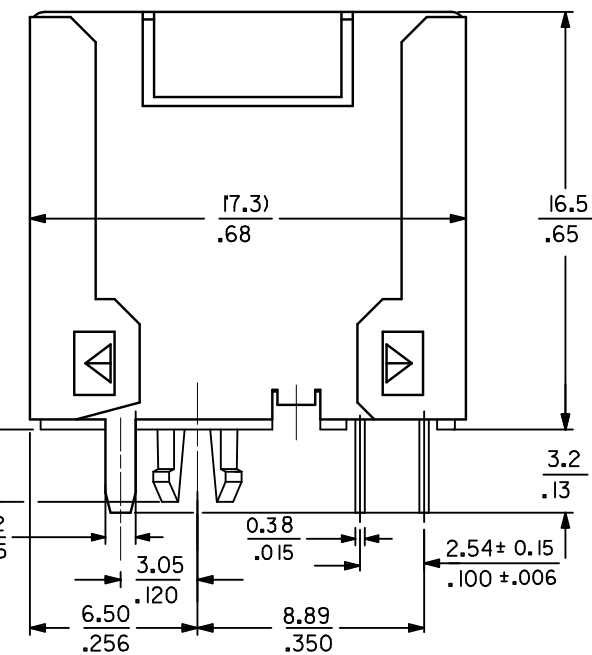
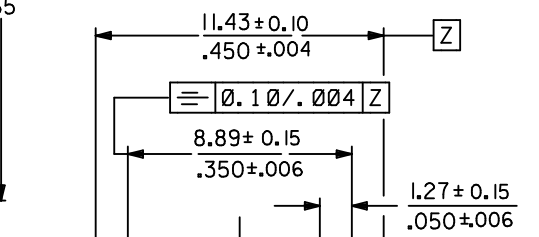
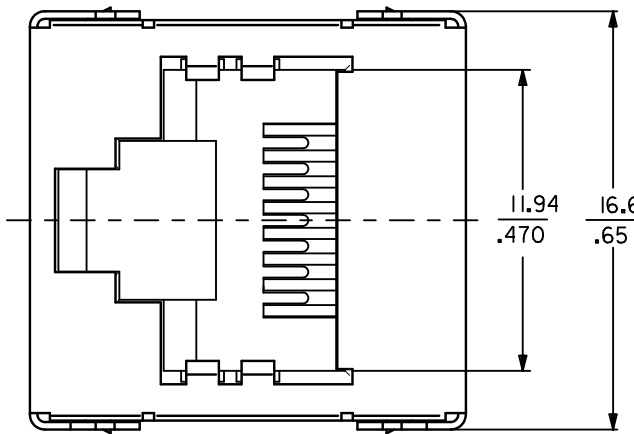
This document was generated on 06/07/2010

PLEASE CHECK WWW.MOLEX.COM FOR LATEST PART INFORMATION

TECHNICAL SPECIFICATIONS:

I- MATERIAL: HOUSING: LCP G.F. UL94V0
 COLOR : BLACK
 TERMINAL : PHOSPHOR BRONZE PLATED WITH
 0.00127-0.00152/.000050-.000060 GOLD
 IN CONTACT AREA , 0.00190/.000075 MIN
 PURE TIN IN TAIL AREA BOTH OVER
 0.00127/.000050 MIN NICKEL OVERALL
 SHIELD : BRASS PLATED WITH 0.0020/.000078
 MIN TIN

PART NUMBER	TOOLED	PCB THICKNESS
85508-5001	YES	1.57/.062



P.C.B. MOUNTING PATTERNS
 VIEW FROM COMPONENT SIDE
 (SCALE 2 : 1)

NOTES :

- 1- JACK FOR MATING WITH F.C.C. 68 PLUGS 95043 MOLEX SERIES.
- 2- PRODUCT SPECIFICATION: MOLEX PS-85508-001.
- 3- APPLICATION SPECIFICATION: AS-85513-001
- 4- PACKAGING SPECIFICATION: MOLEX PK-95123.
- 5- EXCEEDS CATEGORY 5E PERFORMANCE.

ADD TOL TO DIM. EC NO: UCP2010-2562 DRWN: JAGUILAR 2010/04/05 CHKD: JBELL 2006/11/16 APPR: FSMITH 2010/04/09 B1	QUALITY SYMBOLS ▽=0 ◻=0	GENERAL TOLERANCES (UNLESS SPECIFIED) <table border="1"> <tr> <th></th> <th>mm</th> <th>INCH</th> </tr> <tr> <td>4 PLACES</td> <td>± ---</td> <td>± ---</td> </tr> <tr> <td>3 PLACES</td> <td>± ---</td> <td>± .010</td> </tr> <tr> <td>2 PLACES</td> <td>± 0.25</td> <td>± .014</td> </tr> <tr> <td>1 PLACE</td> <td>± 0.35</td> <td>± ---</td> </tr> </table> ANGULAR ± 2 °		mm	INCH	4 PLACES	± ---	± ---	3 PLACES	± ---	± .010	2 PLACES	± 0.25	± .014	1 PLACE	± 0.35	± ---	DIMENSION STYLE MM ONLY DRAWN BY: DBYRNES CHECKED BY: EOMAHONY APPROVED BY: FSMITH DATE: 2006/11/14 DATE: 2006/11/16 DATE: 2010/04/09	SCALE 5:1	DESIGN UNITS METRIC	THIRD ANGLE PROJECTION
		mm	INCH																		
	4 PLACES	± ---	± ---																		
	3 PLACES	± ---	± .010																		
2 PLACES	± 0.25	± .014																			
1 PLACE	± 0.35	± ---																			
DRAFT WHERE APPLICABLE MUST REMAIN WITHIN DIMENSIONS			MATERIAL NO. 85508-5001	TITLE HIGH SPEED MODULAR JACK TOP ENTRY 8 CKTS THROUGH HOLE VERSION	DOCUMENT NO. SD-85508-501	SHEET NO. 1 OF 1															
THIS DRAWING CONTAINS INFORMATION THAT IS PROPRIETARY TO MOLEX INCORPORATED AND SHOULD NOT BE USED WITHOUT WRITTEN PERMISSION																					
MOLEX INCORPORATED																					