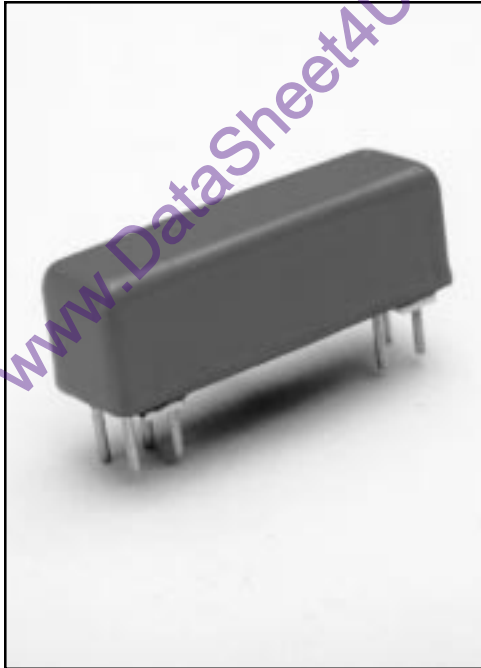


2900 Series/Microminiature Reed Relays

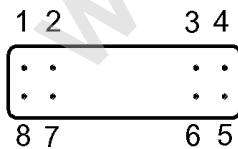
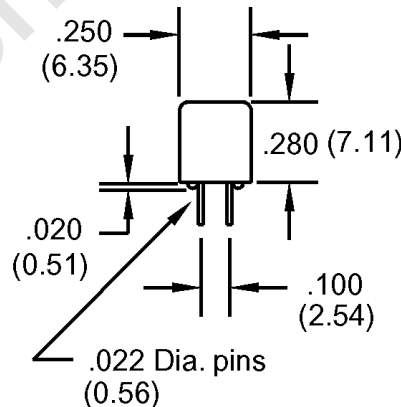
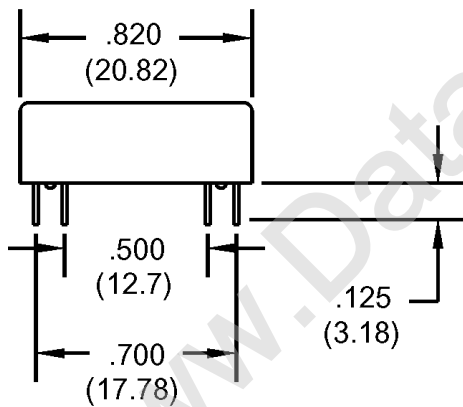


MICROMINIATURE REED RELAYS

Ideally suited to the needs of Automated Test Equipment and RF requirements. The specification tables allow you to select the appropriate relay for your particular application. Slightly larger than the 2200 Series; these relays provide maximum versatility with options such as electrostatic and coaxial shielding. If your requirements differ, please consult your local representative or Coto's Factory.

2900 SERIES FEATURES

- ◆ Very small (0.20 in²), high reliability reed relays.
- ◆ High Insulation Resistance - 10¹² Ω offered on some models.
- ◆ High speed switching compared to electromechanical relays.
- ◆ Hermetically sealed contacts for long life.
- ◆ Epoxy coated steel shell provides magnetic shielding.
- ◆ Optional Electrostatic Shield for reducing capacitive coupling.
- ◆ Optional Coaxial Shield for 50 Ω impedance and switching of fast rise time digital pulses.



Bottom View

Dimensions in Inches (Millimeters)

Ordering Information

Model Number	Part Number	29XX-XX-XX1	Shielding Options ²	
2904	Coil Voltage		0=No Shield	
2911			05=5 volts	1=Electrostatic Shield
2920			12=12 volts	2=Coaxial Shield
Coil Options				

1=Use for Model #2920 (5 & 12 volt coil)

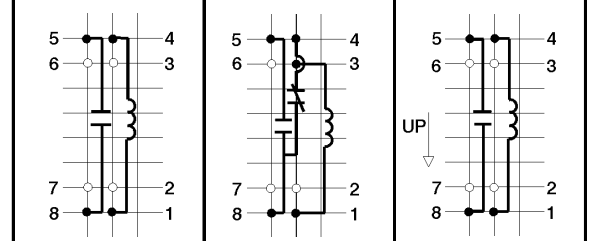
3=Use for Model #2904 (12 volt coil) and for Model #2911 (5 & 12 volt coil)

4=Use for Model #2904 (5 volt coil)

2900 Series/Microminiature Reed Relays

Model Number			2904 ²		2911 ²		2920 ^{2,3}	
Parameters	Test Conditions	Units	1 Form A		1 Form C		1 Form A	Hg Wet
COIL RESISTANCE								
Nom. Coil Voltage		VDC	5	12	5	12	5	12
Coil Resistance	+/- 10%, 25° C	Ω	370	1500	230	1500	75	250
Operate Voltage	Must Operate by	VDC - Max.	3.8	9.0	3.8	9.0	3.8	9.0
Release Voltage	Must Release by	VDC - Min.	0.4	1.0	0.4	1.0	0.4	1.0
CONTACT RATING								
Switching Voltage	Max DC/Peak AC Resist.	Volts	200		150		500	
Switching Current	Max DC/Peak AC Resist.	Amps	0.5		0.25		1.0	
Carry Current	Max DC/Peak AC Resist.	Amps	1.5		1.0		2.0	
Contact Rating	Max DC/Peak AC Resist.	Watts	10		3		50	
Life Expectancy-Typical ¹	Signal Level 1.0V, 10mA	x 10 ⁶ Ops.	500		100		1000	
Static Contact Resistance (max. init.)	50mV, 10mA	Ω	0.100		0.150		0.075	
Dynamic Contact Resistance (max. init.)	0.5V, 50mA at 100 Hz, 1.5 msec	Ω	0.200		0.200		0.100	
RELAY SPECIFICATIONS								
Insulation Resistance (minimum)	Between all Isolated Pins at 100V, 25°C, 40% RH	Ω	10 ¹²		10 ¹¹		10 ¹⁰	
Capacitance - Typical Across Open Contacts	Shield Floating	pF	1.0		2.0		1.4	
	Shield Guarding	pF	0.3		1.0		0.2	
Dielectric Strength (minimum)	Between Contacts	VDC/peak AC	350		200		1000	
	Contacts to Shield	VDC/peak AC	350		200		1000	
	Contacts/Shield to Coil	VDC/peak AC	1500		1500		1500	
Operate Time - including bounce - Typical	At Nominal Coil Voltage, 30 Hz Square Wave	msec.	0.5		1.0		1.5	
Release Time - Typical	Zener-Diode Suppression ⁴	msec.	0.1		2.0		1.0	

Top View:
Dot stamped on top of relay refers to pin #1 location
Grid = .1"x.1" (2.54mm x 2.54mm)



Notes:

- ¹Consult factory for life expectancy at other switching loads.
- ²Model 2904, 2911 and 2920, pin #7 is tied to optional electrostatic shield, pins #6 & #7 are tied to optional coaxial shield.
- ³Model 2920 has Hg wet contacts - position sensitive, must be mounted within 30° of vertical plane. See schematic.
- ⁴Consist of 20V Zener-Diode and 1N4002 diode in series, connected in parallel with coil.

Environmental Ratings

Storage Temp: -35°C to +100°C;
 Operating Temp: -20°C to +85°C
 Solder Temp: 270°C max; 10 sec. max
 The operate and release voltage and the coil resistance are specified at 25°C. These values vary by approximately 0.4%/°C as the ambient temperature varies.
 Vibration: 20 G's to 2000 Hz; Shock: 50 G's