

**PLEASE CHECK WWW.MOLEX.COM FOR LATEST PART INFORMATION**

**Part Number:** [0877343007](#)  
**Status:** **Active**  
**Overview:** [extreme powerplus ssi](#)  
**Description:** 6.35mm (.250") Pitch, Power, 2.54mm (.100") Pitch, Signal, EXTreme PowerPlus™ AC/DC Receptacle, P(A)AC-S-P(B)DC, Through Hole, Vertical, 0.76µm (30µ") Gold (Au), 32 Circuits, Lead free

**Documents:**

[3D Model](#) [Product Specification PS-87663-006 \(PDF\)](#)  
[Drawing \(PDF\)](#) [RoHS Certificate of Compliance \(PDF\)](#)

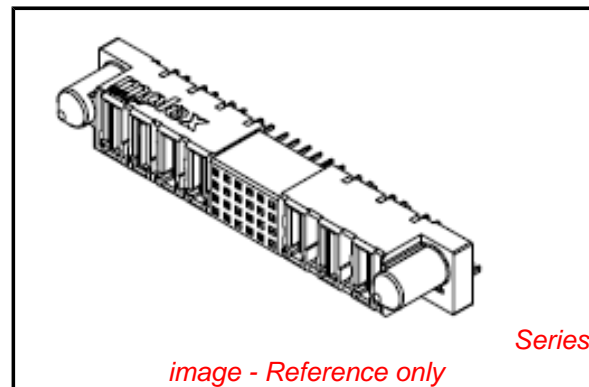
**General**

Product Family	PCB Receptacles
Series	87734
Application	Board-to-Board
Comments	Recessed Power Circuit Position: A2, A3, B1, B2 Void Signal Pins: A1, B1, C1, D1, A2, B2, C2, D2, A3, B3, C3, D3
Overview	<a href="#">extreme powerplus ssi</a>
Product Name	EXTreme PowerPlus™

**Physical**

Circuits (Loaded)	32
Circuits Detail	Power Beta 5, Signal 24, Power Alpha 3
Color - Resin	Black
Glow-Wire Compliant	No
Guide to Mating Part	Yes
Lock to Mating Part	None
Material - Metal	Copper Alloy
Material - Plating Mating	Gold
Material - Plating Termination	Tin
Material - Resin	High Temperature Thermoplastic
Number of Rows	4
Orientation	Vertical
PC Tail Length (in)	0.135 In
PC Tail Length (mm)	3.43 mm
PCB Locator	No
PCB Retention	None
PCB Thickness Recommended (in)	0.092 In
PCB Thickness Recommended (mm)	2.43 mm
Packaging Type	Tray
Pitch - Mating Interface (in)	0.100 In, 0.250 In, 0.300 In
Pitch - Mating Interface (mm)	2.54 mm, 6.35 mm, 7.62 mm
Pitch - Term. Interface (in)	0.100 In, 0.125 In, 0.150 In, 0.200 In
Pitch - Term. Interface (mm)	2.54 mm, 3.18 mm, 3.81 mm, 5.08 mm
Plating min: Mating (µin)	30
Plating min: Mating (µm)	0.76
Plating min: Termination (µin)	100
Plating min: Termination (µm)	2.54
Polarized to Mating Part	Yes
Polarized to PCB	Yes
Stackable	No
Temperature Range - Operating	-20°C to +105°C
Termination Interface: Style	Through Hole

**Electrical**



**EU RoHS**

**ELV and RoHS Compliant**  
**REACH SVHC**  
 Not Reviewed  
**Halogen-Free Status**  
 Not Reviewed

**China RoHS**



**Need more information on product environmental compliance?**

Email [productcompliance@molex.com](mailto:productcompliance@molex.com)  
 For a multiple part number RoHS Certificate of Compliance, [click here](#)

Please visit the [Contact Us](#) section for any non-product compliance questions.

**Search Parts in this Series**

87734Series

**Mates With**

87663 PCB Header

Current - Maximum per Contact	2.5A, 30A, 50A
Voltage - Maximum	250V (RMS)

### **Solder Process Data**

Duration at Max. Process Temperature (seconds)	10
Lead-free Process Capability	SMC & Wave Capable (TH only)
Max. Cycles at Max. Process Temperature	3
Process Temperature max. C	260

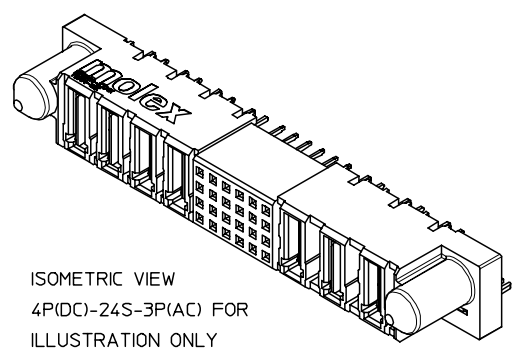
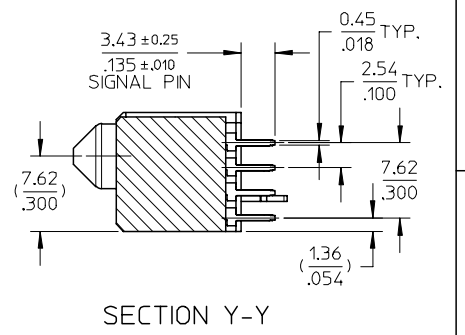
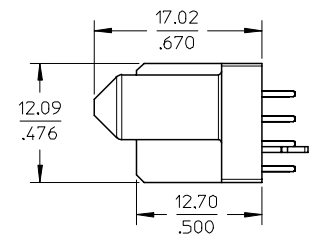
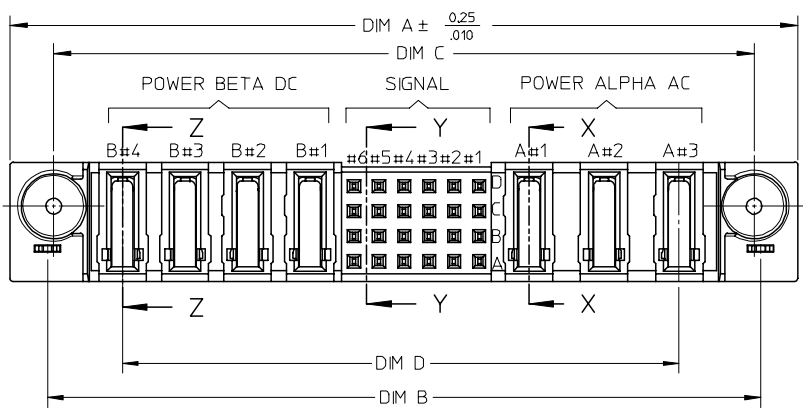
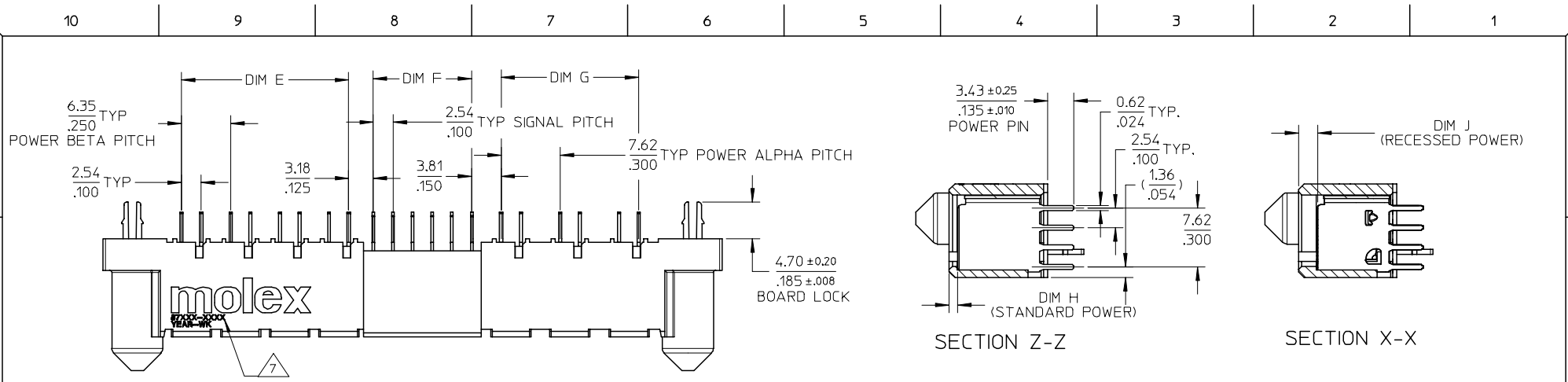
### **Material Info**

### **Reference - Drawing Numbers**

Application Specification	AS-87631-018
Product Specification	PS-87663-006
Sales Drawing	SD-87734-001

This document was generated on 05/22/2010

**PLEASE CHECK [WWW.MOLEX.COM](http://WWW.MOLEX.COM) FOR LATEST PART INFORMATION**



ISOMETRIC VIEW  
4P(DC)-24S-3P(AC) FOR  
ILLUSTRATION ONLY

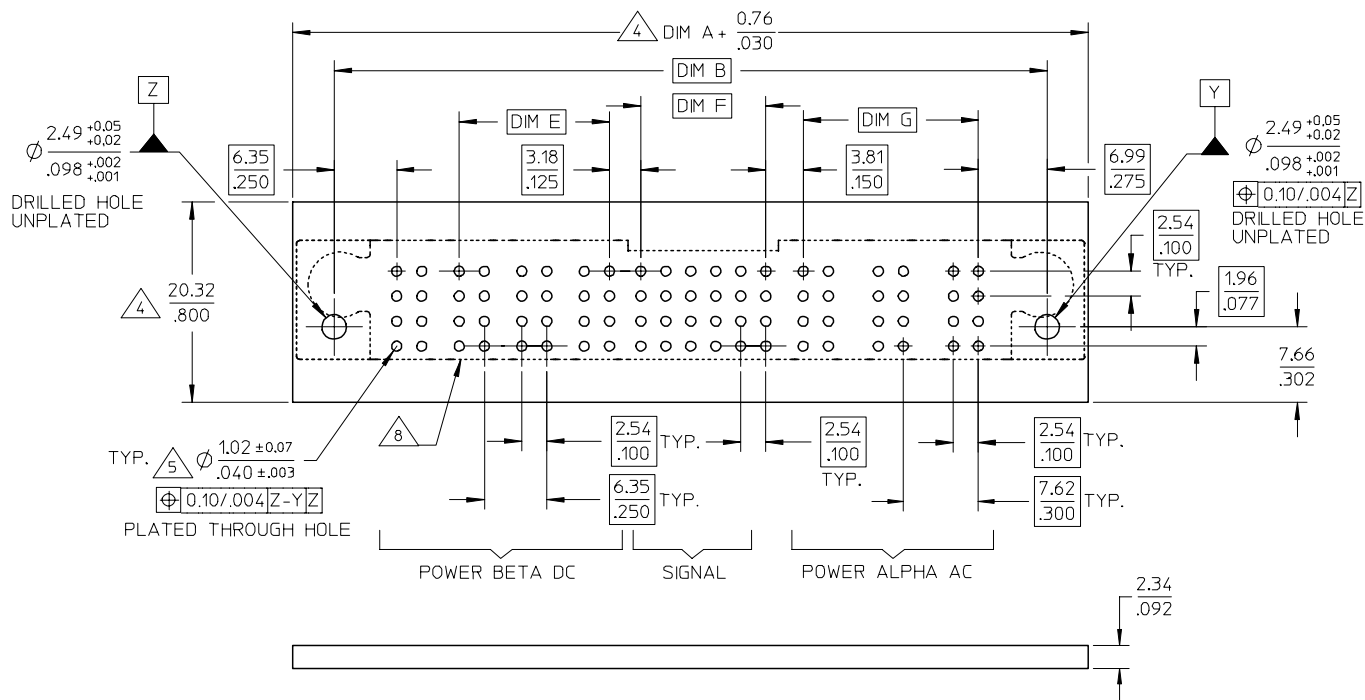
PDR#S-001560-00-00	DESCRIPTION
EC NO: S2007-0866	2007/04/13
DRWN:GMENARLY	2007/04/13
CHKD:SKANG	2007/04/13
APPR:MLONG	2007/04/13
D4	REV

QUALITY SYMBOLS	▽=0
▽C=0	

GENERAL TOLERANCES (UNLESS SPECIFIED)	mm	INCH
4 PLACES	± ---	± ---
3 PLACES	± ---	± .005
2 PLACES	± 0.13	± .010
1 PLACE	± 0.25	± ---
ANGULAR ± 3 °		
DRAFT WHERE APPLICABLE MUST REMAIN WITHIN DIMENSIONS		

DIMENSION STYLE		MM/IN
DRAWN BY	DATE	TITLE
KMGOH	2002/11/08	AC/DC POWER RECEPTACLE P(A)AC-S-P(B)DC CONFIG. VERTICAL T/H, BOARD-LOCK
CHECKED BY	DATE	
PTL IM	2002/11/12	
APPROVED BY	DATE	
SKTOH	2002/11/13	
MATERIAL NO.		DOCUMENT NO.
SEE TABLE		SD-87734-001
SIZE	THIS DRAWING CONTAINS INFORMATION THAT IS PROPRIETARY TO MOLEX INCORPORATED AND SHOULD NOT BE USED WITHOUT WRITTEN PERMISSION	
A3		

SCALE	DESIGN UNITS	THIRD ANGLE PROJECTION
NTS	METRIC	
MOLEX INCORPORATED		
SHEET NO.		1 OF 3



CONNECTOR - NOTES

1. MATERIALS :

- HOUSING - LCP, GLASS FILLED,  
UL 94V-0, COLOR: BLACK.
- POWER PIN - COPPER ALLOY

2. PLATING :

- POWER CONTACTS  
0.76 MICROMETER MINIMUM GOLD (Au) AT CONTACT AREA AND  
2.54 MICROMETER MINIMUM TIN AT SOLDER TAIL AREA  
OVER 1.27µm MIN. NICKEL (Ni) UNDERPLATE.

3. PRODUCT SPECIFICATION: PS-87663-006.

4. COMPONENT STAY AWAY ZONE FROM CONNECTOR.

5. PCB NOTE FOR DIAMETER 1.02/.040 PLATED HOLE.

- DRILLED HOLE SIZE IS 1.151/.0453

- PLATE WITH 0.007/.0003 MINIMUM TIN OVER 0.03/.001  
TO 0.08/.003 COPPER PLATING TO ACHIEVE 1.02±0.08/.040±.003 HOLE.

SEE SHEET 2 FOR RECOMMENDED PCB LAYOUT.

6. 4P(B)-24S-3P(A) CONFIGURATION IS SHOWN FOR ILLUSTRATION ONLY.

7. MANUFACTURER LOGO, PART NUMBER AND YEAR-WEEK CODE.

8. IMAGINARY LINE & DIMENSION TO POSITION AND PROVIDE  
CONNECTOR ORIENTATION W.R.T. TO PCB LAYOUT.

PDR#S-001560-00-00 EC NO: S2007-0866 2007/04/13 DRWN:GMENARLY CHKD:SKANG 2007/04/13 APPR:MLONG 2007/04/13	QUALITY SYMBOLS	GENERAL TOLERANCES (UNLESS SPECIFIED)	DIMENSION STYLE	SCALE	DESIGN UNITS	THIRD ANGLE PROJECTION
	▽=0	mm	MM/IN	NTS	METRIC	
	▽=0	INCH				

4 PLACES ± --- ± ---	DRAWN BY	DATE	TITLE
3 PLACES ± --- ± .005	KMG0H	2002/11/08	AC/DC POWER RECEPTACLE P(A)AC-S-P(B)DC CONFIG. VERTICAL T/H, BOARD-LOCK
2 PLACES ± 0.13 ± .010	CHECKED BY	DATE	
1 PLACE ± 0.25 ± ---	PTL IM	2002/11/12	
ANGULAR ± 3 °	APPROVED BY	DATE	
	SKT0H	2002/11/13	
	MATERIAL NO.		

DRAFT WHERE APPLICABLE MUST REMAIN WITHIN DIMENSIONS	SIZE	THIS DRAWING CONTAINS INFORMATION THAT IS PROPRIETARY TO MOLEX INCORPORATED AND SHOULD NOT BE USED WITHOUT WRITTEN PERMISSION
	A3	

MOLEX INCORPORATED	DOCUMENT NO.	SHEET NO.
	SD-87734-001	2 OF 3

PART NUMBER	P-S-P CONFIGURATION			RECESSED POWER CIRCUIT #	VOID SIGNAL PIN#	DIM A	DIM B	DIM C	DIM D	DIM E	DIM F	DIM G	DIM H STANDARD	DIM J RECESSED	BOARDLOCK OPTION	PACKAGING
	POWER BETA DC	SIGNAL	POWER ALPHA AC													
87734-3002	4	24	3	A1,A3,B1,B2	NIL	80.01 3.150	72.39 2.850	71.12 2.800	56.52 2.225	21.59 .850	12.70 .500	17.78 .700	1.07 .042	2.34 .092	YES	TRAY
87734-3003	5	24	3	ALL EXCEPT A1	NIL	86.36 3.400	78.74 3.100	77.47 3.05	62.87 2.475	27.94 1.100	12.70 .500	17.78 .700	1.07 .042	2.34 .092	NO	TRAY
87734-3004	4	16	4	ALL EXCEPT A1 & A2	NIL	82.55 3.250	74.93 2.950	73.66 2.900	59.06 2.325	21.59 .850	7.62 .300	25.40 1.000	1.07 .042	2.34 .092	YES	TRAY
87734-3005	5	24	3	A1,B3,B4,B5	NIL	86.36 3.400	78.74 3.100	77.47 3.05	62.87 2.475	27.94 1.100	12.70 .500	17.78 .700	1.07 .042	2.34 .092	NO	TRAY
87734-3006	6	16	4	NIL	NIL	95.25 3.750	87.63 3.450	86.36 3.400	71.76 2.825	34.29 1.350	7.62 .300	25.40 1.000	1.07 .042	2.34 .092	YES	TRAY
87734-3007	5	24	3	A2,A3,B1,B2	A1,B1,C1,D1, A2,B2,C2,D2, A3,B3,C3,D3	86.36 3.400	78.74 3.100	77.47 3.05	62.87 2.475	27.94 1.100	12.70 .500	17.78 .700	1.07 .042	2.34 .092	NO	TRAY

PDR#S-001560-00-00 EC NO: S2007-0866 DRWN:GEMENARLY 2007/04/13 CHKD:SKANG 2007/04/13 APPR:MLONG 2007/04/13	QUALITY SYMBOLS	GENERAL TOLERANCES (UNLESS SPECIFIED)	DIMENSION STYLE	SCALE	DESIGN UNITS	THIRD ANGLE PROJECTION																						
	$\nabla = 0$ $\triangle = 0$	<table border="1"> <tr> <th></th> <th>mm</th> <th>INCH</th> </tr> <tr> <td>4 PLACES</td> <td>± .005</td> <td>± .0005</td> </tr> <tr> <td>3 PLACES</td> <td>± .010</td> <td>± .0010</td> </tr> <tr> <td>2 PLACES</td> <td>± 0.13</td> <td>± .010</td> </tr> <tr> <td>1 PLACE</td> <td>± 0.25</td> <td>± .010</td> </tr> <tr> <td colspan="3">ANGULAR ± 3 °</td> </tr> </table>		mm	INCH	4 PLACES	± .005	± .0005	3 PLACES	± .010	± .0010	2 PLACES	± 0.13	± .010	1 PLACE	± 0.25	± .010	ANGULAR ± 3 °			MM/IN	NTS	METRIC					
		mm	INCH																									
	4 PLACES	± .005	± .0005																									
3 PLACES	± .010	± .0010																										
2 PLACES	± 0.13	± .010																										
1 PLACE	± 0.25	± .010																										
ANGULAR ± 3 °																												
REV	DESCRIPTION	DRAFT WHERE APPLICABLE MUST REMAIN WITHIN DIMENSIONS	<table border="1"> <tr> <th>DRAWN BY</th> <th>DATE</th> <th>TITLE</th> </tr> <tr> <td>KMG0H</td> <td>2002/11/08</td> <td>AC/DC POWER RECEPTACLE P(A)AC-S-P(B)DC CONFIG. VERTICAL T/H, BOARD-LOCK</td> </tr> <tr> <th>CHECKED BY</th> <th>DATE</th> <td></td> </tr> <tr> <td>PTL IM</td> <td>2002/11/12</td> <td></td> </tr> <tr> <th>APPROVED BY</th> <th>DATE</th> <td></td> </tr> <tr> <td>SKT0H</td> <td>2002/11/13</td> <td></td> </tr> </table>	DRAWN BY	DATE	TITLE	KMG0H	2002/11/08	AC/DC POWER RECEPTACLE P(A)AC-S-P(B)DC CONFIG. VERTICAL T/H, BOARD-LOCK	CHECKED BY	DATE		PTL IM	2002/11/12		APPROVED BY	DATE		SKT0H	2002/11/13		<table border="1"> <tr> <th>SIZE</th> <th>DOCUMENT NO.</th> <th>SHEET NO.</th> </tr> <tr> <td>A3</td> <td>SD-87734-001</td> <td>3 OF 3</td> </tr> </table>	SIZE	DOCUMENT NO.	SHEET NO.	A3	SD-87734-001	3 OF 3
DRAWN BY	DATE	TITLE																										
KMG0H	2002/11/08	AC/DC POWER RECEPTACLE P(A)AC-S-P(B)DC CONFIG. VERTICAL T/H, BOARD-LOCK																										
CHECKED BY	DATE																											
PTL IM	2002/11/12																											
APPROVED BY	DATE																											
SKT0H	2002/11/13																											
SIZE	DOCUMENT NO.	SHEET NO.																										
A3	SD-87734-001	3 OF 3																										
D4		SEE TABLE	MOLEX INCORPORATED		THIS DRAWING CONTAINS INFORMATION THAT IS PROPRIETARY TO MOLEX INCORPORATED AND SHOULD NOT BE USED WITHOUT WRITTEN PERMISSION																							