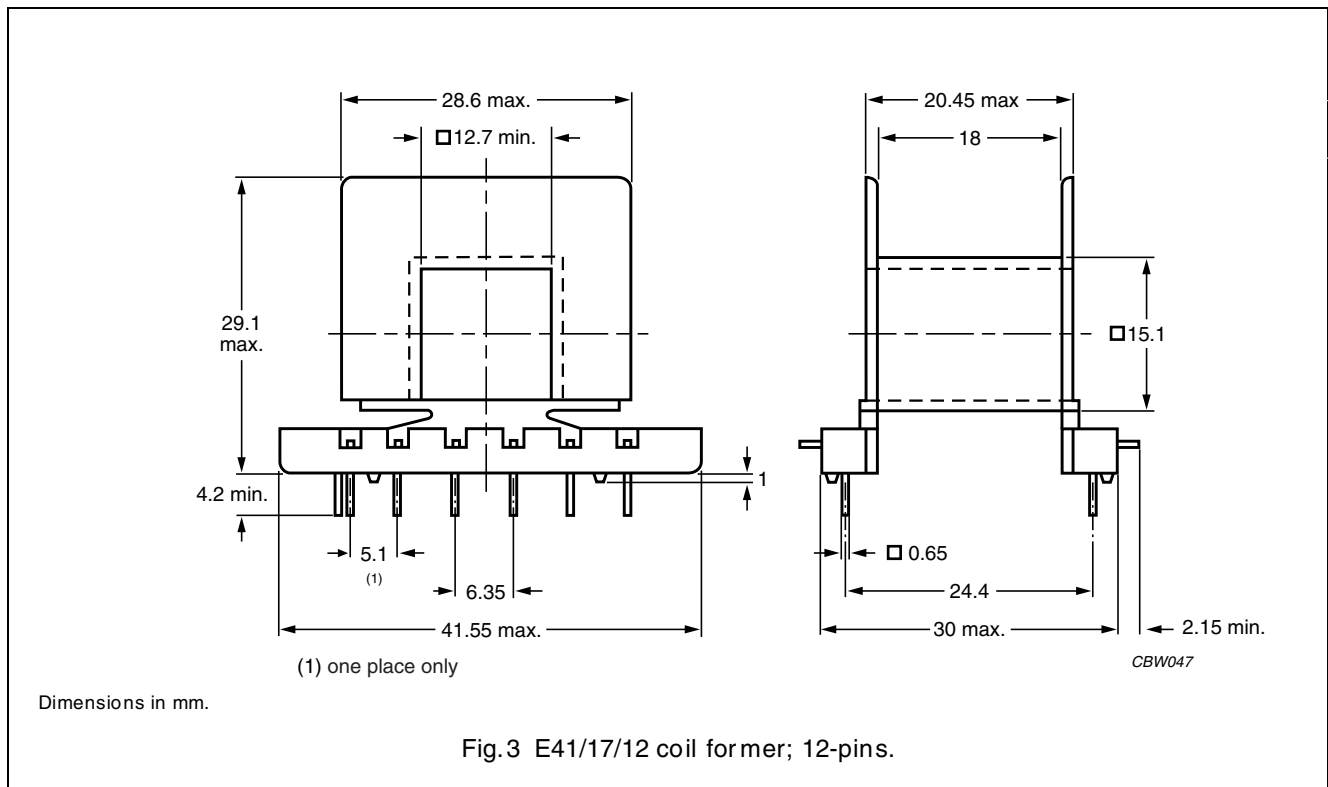


General data for 12-pins E41/17/12 coil former

| PARAMETER | SPECIFICATION |
|-------------------------------|---|
| Coil former material | polyamide (PA), glass-reinforced, flame retardant in accordance with "UL 94HB"; UL file number E41938 |
| Pin material | copper-tin alloy (CuSn), tin-lead alloy (Sn) plated |
| Maximum operating temperature | 130°C, "IEC 60085", class B |
| Resistance to soldering heat | "IEC 60068-2-20", Part 2, Test Tb, method 1B: 350C, 3.5 s |
| Solderability | "IEC 60068-2-20", Part 2, Test Ta, method 1: 235C, 2 s |



Winding data for 12-pins E41/17/12 coil former

| NUMBER OF SECTIONS | MINIMUM WINDING AREA (mm ²) | NOMINAL WINDING WIDTH (mm) | AVERAGE LENGTH OF TURN (mm) | TYPE NUMBER |
|--------------------|---|----------------------------|-----------------------------|----------------------|
| 1 | 114 | 18 | 81.2 | CPH-E41/12-1S-12PD-Z |