

Pushbutton Switches

Illuminated Pushbutton Switch with LED

PB40 Series

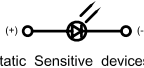


FEATURES:

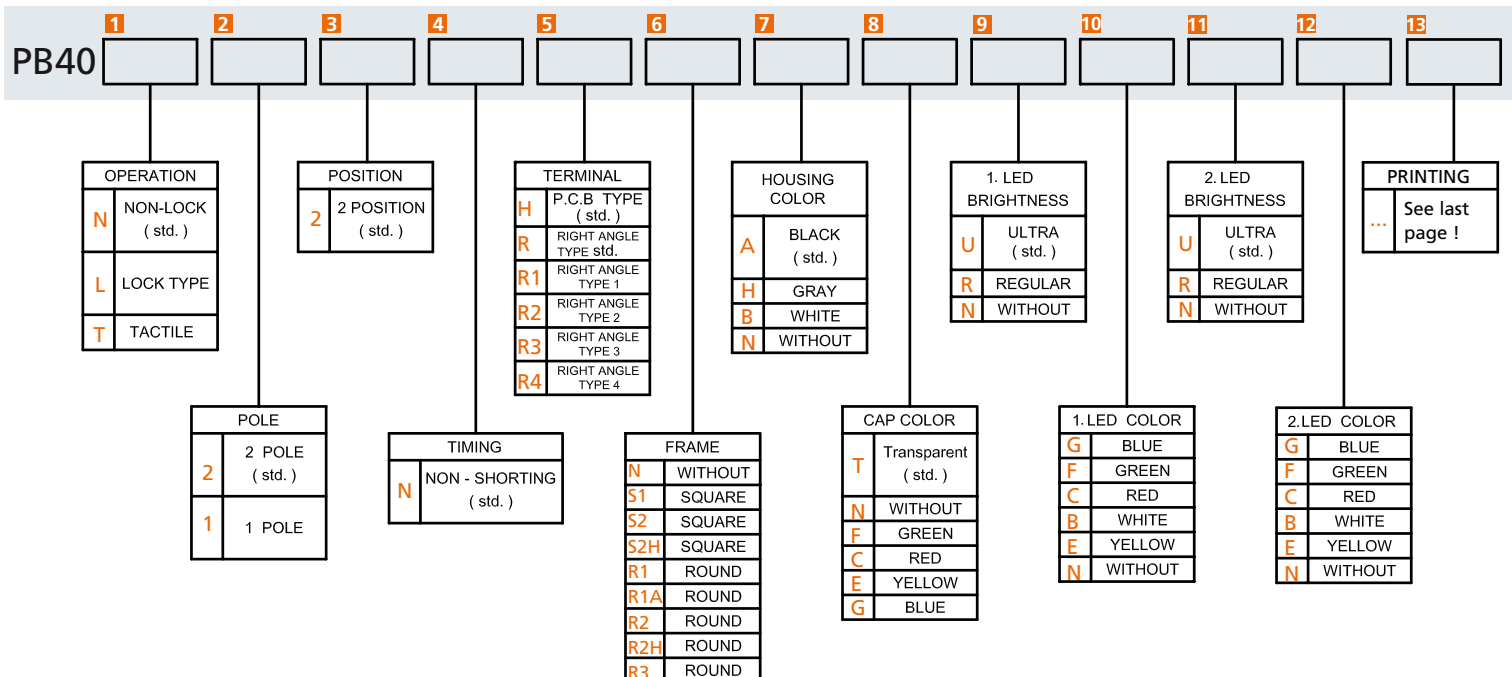
- > Small size
- > LED illuminated
- > Two colors available
- > Lock / Non-lock / Tactile Type available
- > Various cap options

Specifications:

SWITCH SPECIFICATIONS	
POLE - POSITION	1P2T , 2P2T LOCK / NON-LOCK Action with LED
CONTACT RATING	30 VDC , 0.1A / 5 VDC , 0.1mA
CONTACT RESISTANCE	50 mΩ max. 1.5 V DC ; 100 mA , by Method of Voltage DROP
INSULATION RESISTANCE	100 MΩ min. 500 V DC
DIELECTRIC STRENGTH	Breakdown is not Allowable ; 500 V AC for 1 Minute
OPERATING FORCE	250 ± 100 gf
OPERATING LIFE	50,000 cycles
OPERATING TEMPERATURE RANGE	-20°C ~ 70°C
TOTAL TRAVEL	TRAVEL - 1.0 ± 0.3 mm FULL TRAVEL - 1.5 ± 0.3 mm

LED SPECIFICATIONS						
ATTENTION  LEDs are Electrostatic Sensitive devices	Unit	Value / LED Color				
		Blue	Green	Red	White	Yellow
FORWARD CURRENT	If	mA	30	30	30	30
REVERSE VOLTAGE	Vr	V	5.0	5.0	5.0	5.0
REVERSE CURRENT	Ir	μA	10	10	10	10
FORWARD VOLTAGE@20mA	Vf	V	3.5-4.0	2.0-2.5	2.0-2.5	3.3-3.8
LUMINOUS INTENSITY@20mA	Iv	mcd	230	120	50	145

How to order:



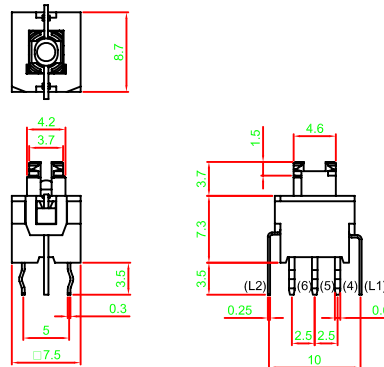
Pushbutton Switches

Illuminated Pushbutton Switch with LED

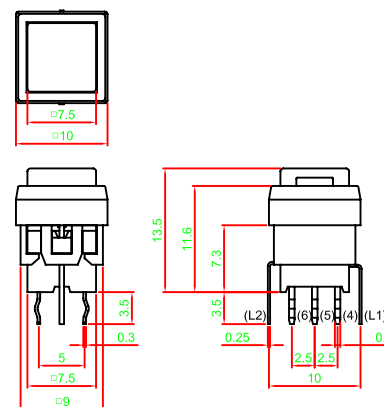
PB40 Series

► DIMENSION

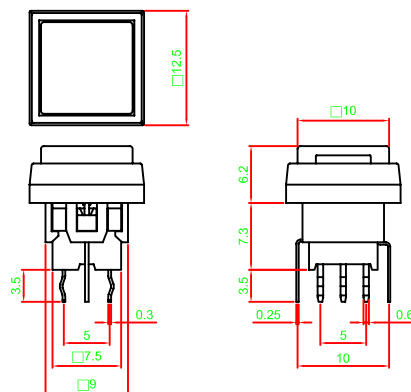
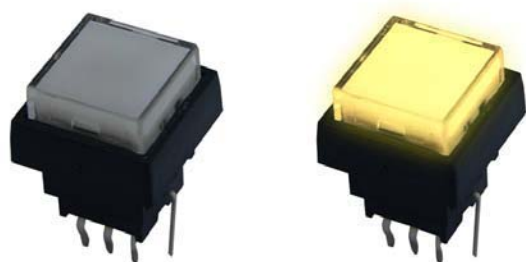
PB40L22NHNNN



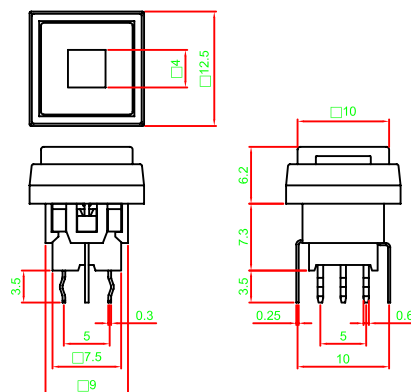
PB40L22NHS1AT



PB40N22NHS2AT



PB40N22NHS2HAT



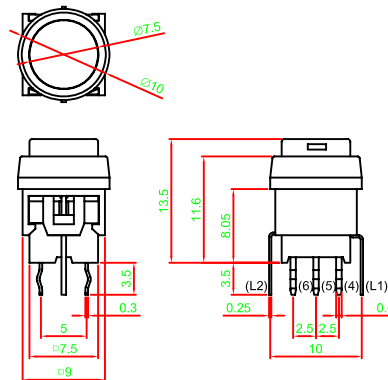
Pushbutton Switches

Illuminated Pushbutton Switch with LED

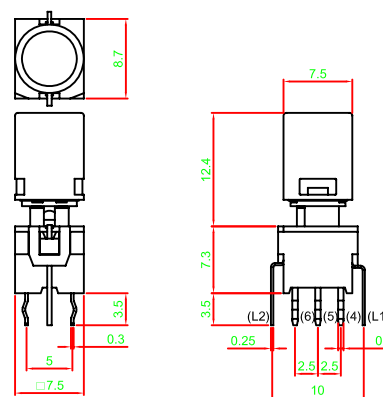
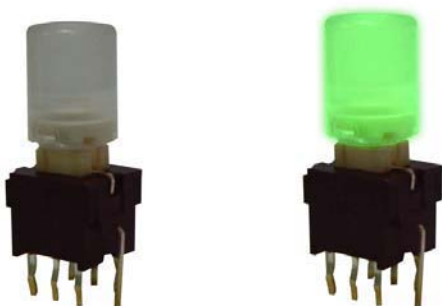
PB40 Series

► DIMENSION

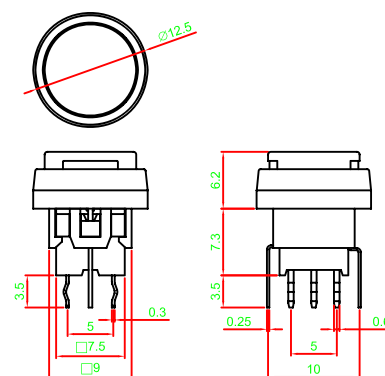
PB40L22NHR1AT



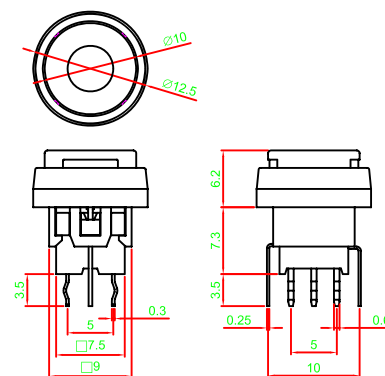
PB40L22NHR1ANT



PB40N22NHR2AT



PB40N22NHR2HAT



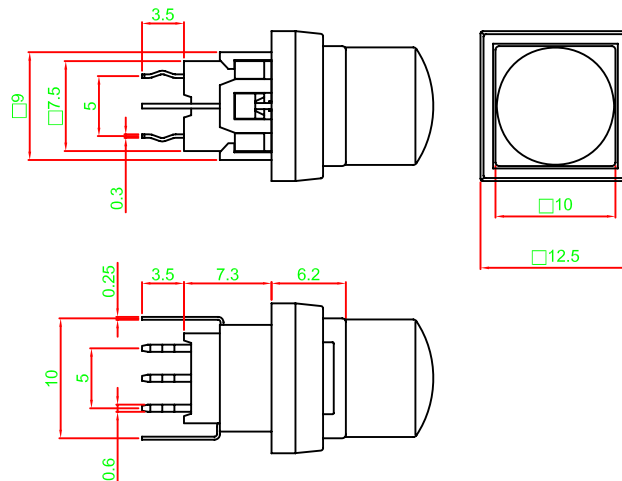
Pushbutton Switches

Illuminated Pushbutton Switch with LED

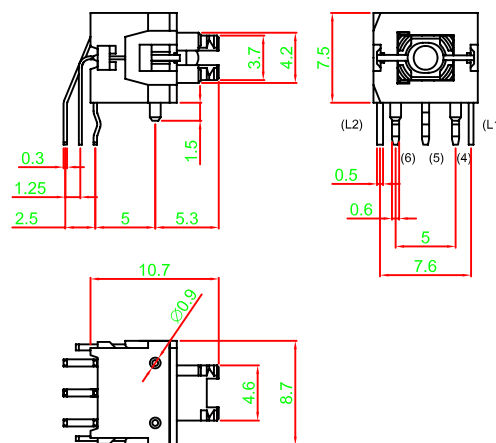
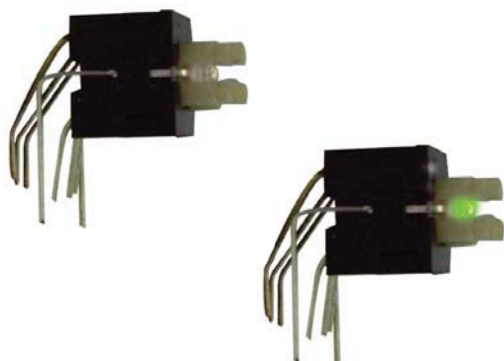
PB40 Series

► DIMENSION

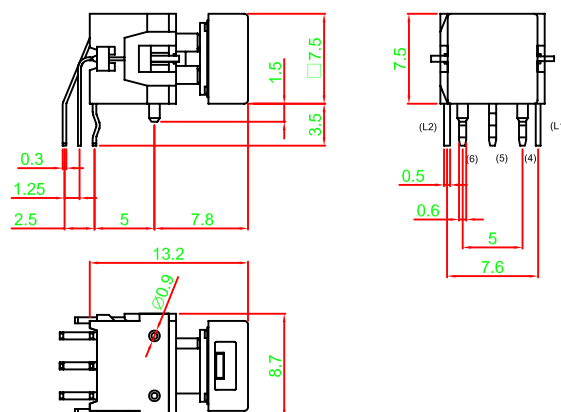
PB40N22NHR3AT □ □ □ □ □



PB40N22NRNN □ □ □ □ □



PB40N22NRS1NT □ □ □ □ □



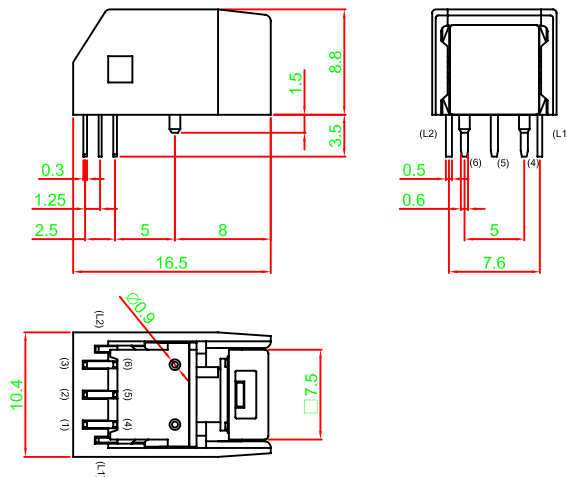
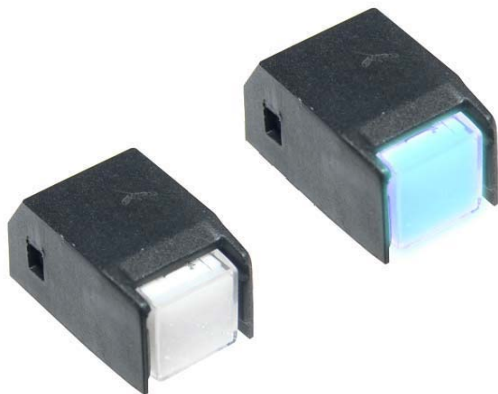
Pushbutton Switches

Illuminated Pushbutton Switch with LED

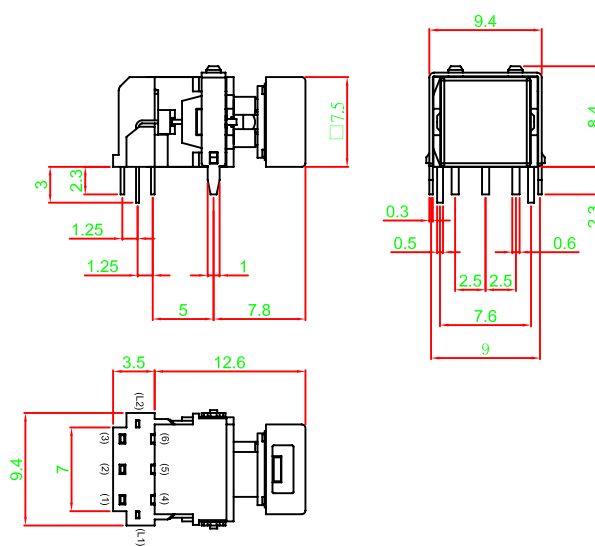
PB40 Series

► DIMENSION

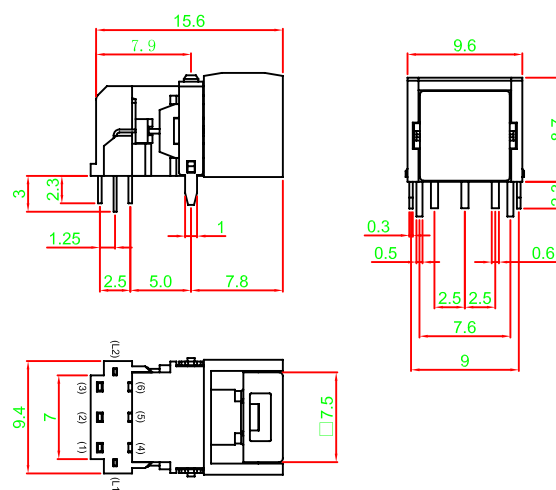
PB40N22NRS1AT



PB40N22NR1S1NT



PB40N22NR2S1AT



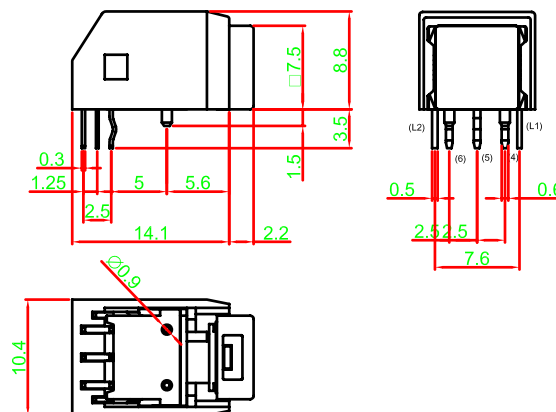
Pushbutton Switches

Illuminated Pushbutton Switch with LED

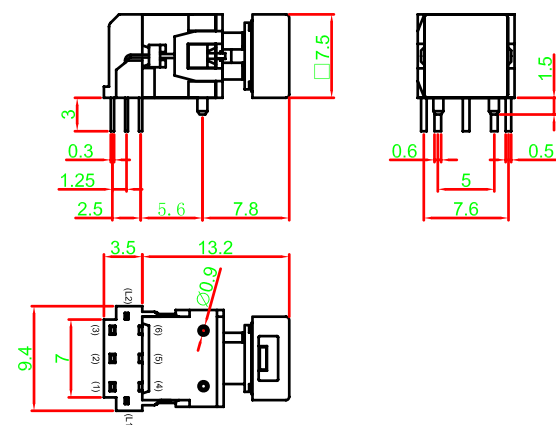
PB40 Series

DIMENSION

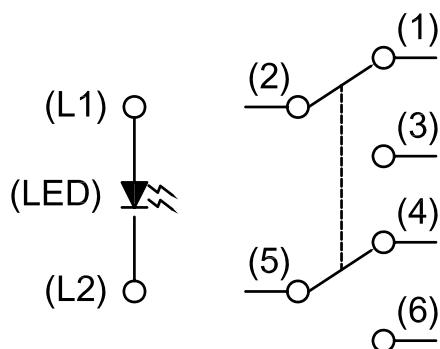
PB40N22NR3S1AT 



PB40N22NR4S1NT 

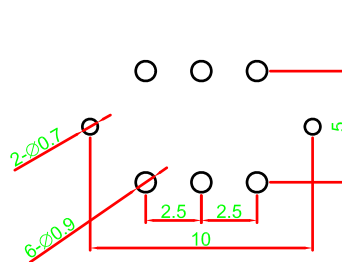


CIRCUIT DIAGRAM

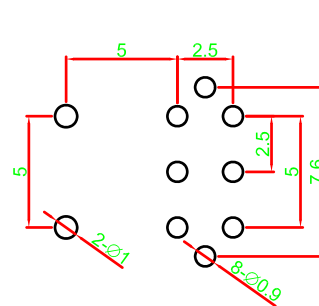


P.C.B. LAYOUT PCB

STANDARD TYPE



RIGHT ANGLE TYPE



MATERIAL

- FRAME - PA + GF
- ACTUATOR - PA + GF
- BASE - PA9T + GF
- TERMINAL - BRASS ; SILVER PLATING
- SPRING - STAINLESS STEEL

Pushbutton Switches

Illuminated Pushbutton Switch with LED

PB40 Series

00 No Printing



Select one printing type (e.a. **K3** for



)

	0	1	2	3	4	5	6	7	8	9
A	0	1	2	3	4	5	6	7	8	9
B	A	B	C	D	E	F	G	H	I	J
C	K	L	M	N	O	P	Q	R	S	T
D	U	V	W	X	Y	Z	POWER	ON OFF	ON	OFF
E	OK	ⓄK	Auto	Enter	Start	STOP	OPEN	CLOSE	Exit	Move
F	SET	Reset	Light	Alarm	Menu	Next	Back	Delete	Motor	Save
G	Up	Down	Right	Left	Test	End	Insert	Lock	Print	+/-
H	ESC	BC.	HOME	Health	D-LED 2	OC GENE	VIDEO INPUT	clr CMOS	Green Power	Save OK
I	B/R +	Undo Cancel	T/L -	F1	F2	F3	F4	F5	F6	F7
J	F8	F9	F10	F11	F12	F13	F14	IN 1	IN 2	IN 3
K	IN 4	IN 5	IN 6	Ⓞ	Ⓞ	Ⓞ	●	⚠	ⓘ	←
L	+	-	×	÷	=	↑	→	▲	▶	▶
M	↕	⊗	↻	↻	↻	↻	↑	→	↑	→
N	↑	→	↗	↖	▲	▶	◀	▶	◀	▶
O	■	▯	◀▶	◊	◊	▯	◉	⊙	⊙	⊙
P	●●●●	⌚	⌚ OC Genie	✗	✓	Ⓞ	Config.	TIME LINE	ME1	ME2
Q	ME3	ME4	BGND 3D DVE1	BGND 3D DVE2	BUS COLOR	ME BUTTON LINK	*	INSERT ←	WIPE	⊕
R	◀◀	ALL	⚡	VP	⊙	COPY	📄			