

**PLEASE CHECK WWW.MOLEX.COM FOR LATEST PART INFORMATION**

**Part Number:** [0917780501](#)  
**Status:** **Active**  
**Overview:** [rast 5 connector system](#)  
**Description:** 5.00mm (.197") Appli-Mate RAST 5 IDT Housing, Indirect, Female, 10 Amp, 7 Circuit, Position Keys 2b, Code Keys d20, 07c, Reference K37

**Documents:**

[3D Model](#) [Product Specification PS-99020-0037 \(PDF\)](#)  
[Drawing \(PDF\)](#) [RoHS Certificate of Compliance \(PDF\)](#)

**Agency Certification**

CSA LR19980  
 UL E29179

**General**

Product Family IDT and Solder Connectors  
 Series [91778](#)  
 Crimp Quality Equipment Yes  
 Overview [rast 5 connector system](#)  
 Product Name RAST 5  
 Use With RAST standard interface

**Physical**

Circuits (Loaded) 7  
 Circuits (maximum) 7  
 Color - Resin Natural (White)  
 Durability (mating cycles max) 10  
 Flammability 94V-2  
 Gender Female  
 Glow-Wire Compliant Yes  
 Lock to Mating Part Yes  
 Material - Metal Phosphor Bronze  
 Material - Plating Mating Tin  
 Material - Plating Termination Tin  
 Material - Resin Nylon  
 Number of Rows 1  
 Packaging Type Tray  
 Panel Mount No  
 Pitch - Mating Interface (in) 0.197 In  
 Pitch - Mating Interface (mm) 5.00 mm  
 Pitch - Term. Interface (in) 0.197 In  
 Pitch - Term. Interface (mm) 5.00 mm  
 Plating min: Mating (µin) 200  
 Plating min: Mating (µm) 5  
 Plating min: Termination (µin) 200  
 Plating min: Termination (µm) 5  
 Polarized to Mating Part Yes  
 Stackable No  
 Temperature Range - Operating -20C TO +120C  
 Termination Interface: Style IDT or Pierce  
 Wire Size AWG 22, 24

**Electrical**

Current - Maximum per Contact 10A  
 Voltage - Maximum 250V AC

**Material Info**

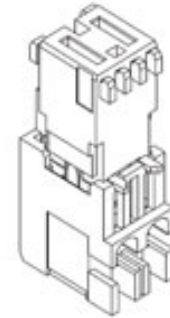


image - Reference only

Series

**EU RoHS**

**ELV and RoHS Compliant**

**REACH SVHC**

**Contains SVHC: No Halogen-Free**

**Status**

**Not Reviewed**

**China RoHS**



**Need more information on product environmental compliance?**

Email [productcompliance@molex.com](mailto:productcompliance@molex.com)  
 For a multiple part number RoHS Certificate of Compliance, [click here](#)

Please visit the [Contact Us](#) section for any non-product compliance questions.

**Search Parts in this Series**

[91778Series](#)

**Mates With**

[90858](#) RAST Vertical Header,

**Application Tooling | FAQ**

*Tooling specifications and manuals are found by selecting the products below. Crimp Height Specifications are then contained in the Application Tooling Specification document.*

**Global**

Description	Product #
RAST 5.0 Semi-Automatic Terminator Machine for Appli-Mate™ Connector 6 and 10 AMP	<a href="#">0623006300</a>

**Reference - Drawing Numbers**

Application Specification

Product Specification

Sales Drawing

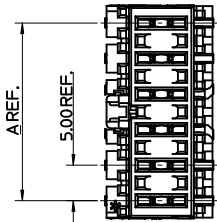
AS-99033-0004

PS-99020-0037

SD-91778-001

This document was generated on 05/28/2010

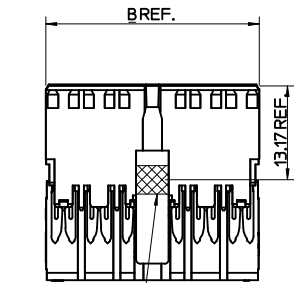
**PLEASE CHECK [WWW.MOLEX.COM](http://WWW.MOLEX.COM) FOR LATEST PART INFORMATION**



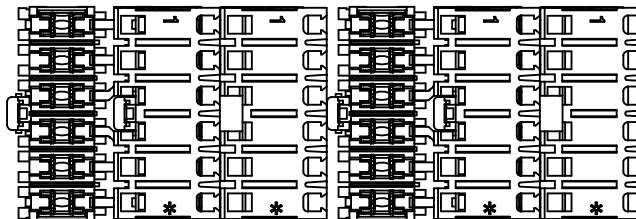
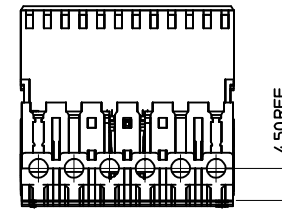
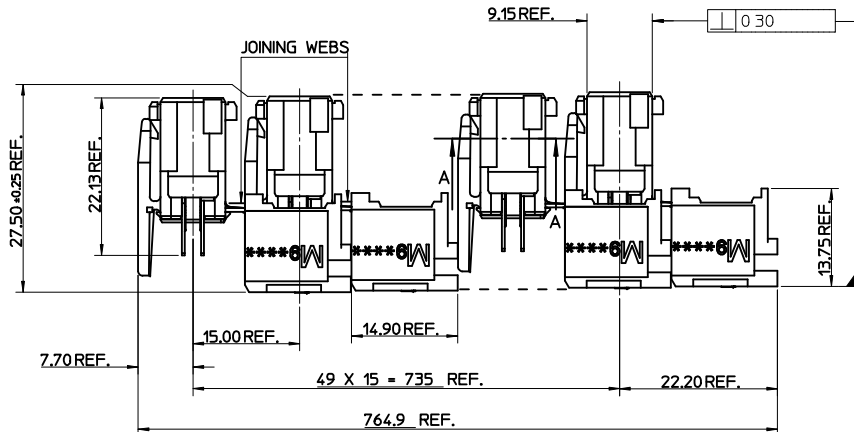
PARTIAL1  
Scale 2:1

NOTES:

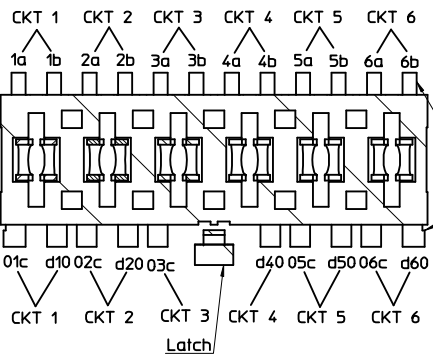
1. MATERIALS  
HOUSING: PA 6, UL94 V-2  
COLOUR: SEE TABLES SHEET 2 to 6  
TERMINALS: PHOSPHOR BRONZE, 0.40/(0.016) THICK REF.  
PLATING: 5um/(200uin) MIN PURE Sn
2. PRODUCT CONFORMS TO SPECIFICATION PS-99020-0037
3. ACCEPTS CABLE, PER ES-99036-0008 OR ES-99036-0009  
AS PER THE APPLICATION SPECIFICATION AS-99033-0004
4. SEE SUBSEQUENT SHEETS FOR PART NUMBERS SHOWING THE VARIOUS CODING, KEYING AND LATCHING OPTIONS
5. SEE SHEETS 2 to 6 FOR DETAILS
6. PACKAGING SPECIFICATION PK-90833-001



COLOUR STRIPE  
SEE NOTE 5



Ckt Size	A	B
2	5.00	9.90
3	10.00	14.90
4	15.00	19.90
5	20.00	24.90
6	25.00	29.90
7	30.00	34.90
8	35.00	39.90
9	40.00	44.90
10	45.00	49.90
11	50.00	54.90
12	55.00	59.90



POSITION KEYS

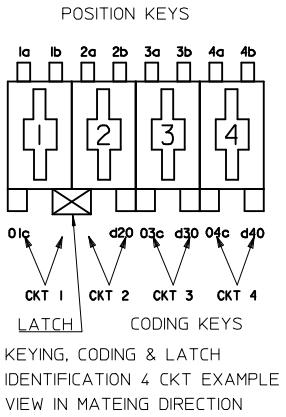
CODING KEYS

KEYING, CODING & LATCH IDENTIFICATION  
(6 CKT EXAMPLE SHOWN)

A-A  
Scale 4:1

HOUSING LINK CHANGE + PN EC NO: E2010-0090 DRAWN: BRUTTLE 2009/10/19 CHKD: T. OURLISH 2009/10/21 APPR: BMAGUIRE 2009/10/22	QUALITY SYMBOLS ▽=0 ▽=0	GENERAL TOLERANCES (UNLESS SPECIFIED)		DIMENSION STYLE <b>MM ONLY</b>		SCALE <b>2:1</b>	DESIGN UNITS <b>METRIC</b>	<input checked="" type="checkbox"/> THIRD ANGLE PROJECTION
		4 PLACES ± --- ± --- 3 PLACES ± --- ± --- 2 PLACES ± 0.1 ± --- 1 PLACE ± 0.2 ± --- ANGULAR ± 1/2°	mm INCH ± --- ± --- ± 0.1 ± --- ± 0.2 ± ---	DRAWN BY GMCSWEEN CHECKED BY BMAGUIRE APPROVED BY BMAGUIRE MATERIAL NO.	DATE 2004/10/12 DATE 2005/01/07 DATE 2005/01/07	TITLE <b>5MM APPLI-MATE 10A F-INDIRECT CONN ASSY</b>		<b>MOLEX INCORPORATED</b>
DRAFT WHERE APPLICABLE MUST REMAIN WITHIN DIMENSIONS		<b>SEE CHARTS</b>		DOCUMENT NO. <b>SD-91778-001</b>		THIS DRAWING CONTAINS INFORMATION THAT IS PROPRIETARY TO MOLEX INCORPORATED AND SHOULD NOT BE USED WITHOUT WRITTEN PERMISSION		

MOLEX PART NO	CIRCUIT SIZE	COLOUR	POSITION KEYS	CODING KEYS	LATCH POSITION	CONFIGURATION	REF	COLOUR STRIPE
91778-0001	2	NATURAL	ALL	ALL	1/2		K00	NONE
91778-0002	2	NATURAL	1b 2a	01c d20	1/2		K01	NONE
91778-0003	2	NATURAL	1a 2b	01c	1/2		K02	NONE
91778-0004	2	NATURAL	2a	01c d20	1/2		K03	NONE
91778-0005	2	NATURAL	1a 2b	d20	1/2		K05	NONE
91778-0006	2	NATURAL	1b 2b	01c	1/2		K09	NONE
91778-0007	2	NATURAL	1a 2a	01c	1/2		K10	NONE
91778-0008	2	NATURAL	2b	01c d20	1/2		K15	NONE
91778-0009	2	NATURAL	1a 1b	01c d20	1/2		K47	NONE
91778-0010	2	NATURAL	2b	NONE	1/2		K11	NONE
91778-0011	2	NATURAL	1a 1b	01c	1/2		K04	NONE
91778-0012	2	NATURAL	1a	01c d20	1/2		K12	NONE
91778-0013	2	NATURAL	1b 2a	01c	1/2		K14	NONE
91778-0014	2	NATURAL	ALL	01c	1/2		K33	NONE
91778-0015	2	NATURAL	1a 1b	01c	1/2		K04	NONE
91778-0016	2	NATURAL	1b	01c d20	1/2		K16	NONE
91778-0017	2	NATURAL	1a 2b	NONE	1/2		K06	NONE
91778-0018	2	NATURAL	2b	d20	1/2		K38	NONE
91778-0019	2	NATURAL	1a 2a	01c d20	1/2		K44	NONE



MOLEX PART NO	CIRCUIT SIZE	COLOUR	POSITION KEYS	CODING KEYS	LATCH POSITION	CONFIGURATION	REF	COLOUR STRIPE
91778-0020	2	NATURAL	1b 2a 2b	d20	1/2		K07	NONE
91778-0021	2	NATURAL	All	d20	1/2		K34	NONE
91778-0022	2	NATURAL	1a 2b	d20	1/2		K05	BLACK
91778-0023	2	NATURAL	NONE	ALL	1/2		K54	RED
91778-0024	2	NATURAL	1b 2a	01c	NONE		K--	NONE
91778-0025	2	BLACK	ALL	d20	1/2		K34	NONE
91778-0026	2	NATURAL	1b	ALL	NONE		K--	NONE
91778-0027	2	NATURAL	ALL	ALL	NONE		K--	NONE
91778-0028	2	NATURAL	NONE	01c	1/2 b		K--	NONE
91778-0029	2	NATURAL	1a 2b	NONE	1/2 b		K--	NONE
91778-0030	2	NATURAL	2a	01c	1/2		K--	NONE

SEE SHEET 1  
 EC NO: E2010-0090  
 DRAWN: BRUTTLE 2009/10/19  
 CHKD: TOURISH 2009/10/21  
 APPR: BMAGUIRE 2009/10/22

QUALITY SYMBOLS  
  
 DRAFT WHERE APPLICABLE MUST REMAIN WITHIN DIMENSIONS

GENERAL TOLERANCES (UNLESS SPECIFIED)

	mm	INCH
4 PLACES	± .005	± .0004
3 PLACES	± .008	± .0005
2 PLACES	± 0.1	± .004
1 PLACE	± 0.2	± .008

ANGULAR ±1/2°

DIMENSION STYLE: MM ONLY  
 SCALE: 1:1  
 DESIGN UNITS: METRIC  
 THIRD ANGLE PROJECTION

DRAWN BY: GMC SWEEN DATE: 2004/10/12  
 CHECKED BY: BMAGUIRE DATE: 2005/01/07  
 APPROVED BY: BMAGUIRE DATE: 2005/01/07

MATERIAL NO. SEE CHARTS  
 DOCUMENT NO. SD-91778-001

5MM APPLI-MATE 10A F-INDIRECT CONN ASSY

MOLEX INCORPORATED

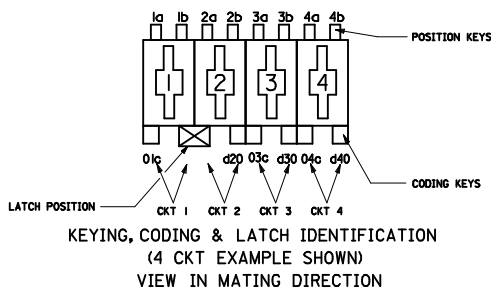
SHEET NO. 2 OF 7

THIS DRAWING CONTAINS INFORMATION THAT IS PROPRIETARY TO MOLEX INCORPORATED AND SHOULD NOT BE USED WITHOUT WRITTEN PERMISSION

MOLEX PART NO.	CIRCUIT SIZE	COLOUR	POSITION KEYS	CODING KEYS	LATCH POSITION	CONFIGURATION	REF	COLOUR STRIPE
91778-0101	3	NATURAL	ALL	ALL	1/2		K00	NONE
91778-0102	3	NATURAL	ALL	ALL	2/3		K90	NONE
91778-0103	3	NATURAL	1b	01c d20	1/2		K01	NONE
91778-0104	3	NATURAL	1a	03c	1/2		K04	NONE
91778-0105	3	NATURAL	1a 1b	d30	1/2		K05	NONE
91778-0106	3	NATURAL	1b 2a 2b	d30	1/2		K33	NONE
91778-0107	3	NATURAL	ALL	d10 d30	2/3		K38	NONE
91778-0108	3	NATURAL	1a 3a	01c	1/2		K07	NONE
91778-0109	3	NATURAL	1b 3a	01c	1/2		K03	NONE
91778-0110	3	NATURAL	2a	02c d30	2/3		K57	NONE
91778-0111	3	NATURAL	2b	d20	1/2		K08	NONE
91778-0112	3	NATURAL	1b	d20 03c	1/2		K09	NONE
91778-0113	3	NATURAL	1a 1b 2a 3a	01c 02c d30	2/3		K12	NONE
91778-0114	3	NATURAL	1a 2a	d30	2/3		K...	NONE
91778-0115	3	NATURAL	2a	d10 d30	2/3		K44	NONE
91778-0116	3	NATURAL	3b	01c d30	1/2		K37	NONE
91778-0117	3	NATURAL	2b 3b	d10 02c	2/3		K02	NONE
91778-0118	3	NATURAL	2a	d10 02c d30	2/3		K**	NONE
91778-0119	3	NATURAL	1a	01c d20 03c	1/2		K**	NONE
91778-0120	3	NATURAL	1b 2A	01c d20	1/2		K**	NONE
91778-0121	3	NATURAL	2A	ALL	2/3		K**	NONE
91778-0122	3	NATURAL	1a, 2b, 3a, 3b	d20	none		K**	NONE
91778-0123	3	NATURAL	1a	NONE	1/2		K**	NONE

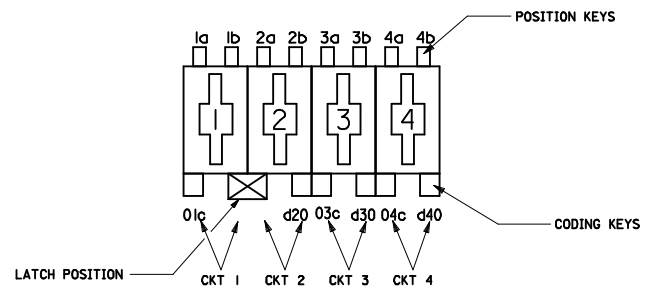
MOLEX PART NO.	CIRCUIT SIZE	COLOUR	POSITION KEYS	CODING KEYS	LATCH POSITION	CONFIGURATION	REF	COLOUR STRIPE
91778-0124	3	BLACK	ALL	d10	2/3		K41	NONE
91778-0125	3	NATURAL	ALL	d20	1/2		K40	NONE
91778-0126	3	NATURAL	1a 2b 3a 3b	d20	1/2 b		K--	NONE
91778-0127	3	NATURAL	2a 2b 3a 3b	01c d30	2/3		K--	NONE
91778-0128	3	NATURAL	2a 2b	01c d20	1/2		K--	NONE

MOLEX PART NO.	CIRCUIT SIZE	COLOUR	POSITION KEYS	CODING KEYS	LATCH POSITION	CONFIGURATION	REF	COLOUR STRIPE
91778-0201	4	NATURAL	ALL	ALL	1/2 & 3/4		K00	NONE
91778-0202	4	NATURAL	1b	03c d40	1/2 & 3/4		K01	NONE
91778-0203	4	NATURAL	ALL	d20 03c	1/2 & 3/4		K35	NONE
91778-0204	4	NATURAL	1b	d20 03c	1/2 & 3/4		K38	NONE
91778-0205	4	NATURAL	1a 4b	d40	1/2 & 3/4		K03	NONE
91778-0206	4	NATURAL	1a 3a 3b	01c d20 d40	1/2 & 3/4		K32	NONE
91778-0207	4	NATURAL	1b 2a 3a 4b	01c d40	1/2 & 3/4		K37	NONE
91778-0208	4	NATURAL	1a 4b	01c	1/2 & 3/4		K02	NONE
91778-0209	4	NATURAL	3b	d30	2/3		K04	NONE
91778-0210	4	NATURAL	1a 1b 3a 3b	01c 03c	1/2 & 3/4		K93	NONE
91778-0211	4	NATURAL	1a 2a 4a	01c 03c d40	1/2 & 3/4		K43	NONE
91778-0212	4	NATURAL	1a 1b 3a 3b	ALL	1/2 & 3/4		K**	NONE
91778-0213	4	NATURAL	1a 1b 3a 4a 4b	ALL	1/2		K**	NONE
91778-0214	4	NATURAL	1b	03c d40	1/2 3/4		K01	GREEN
91778-0215	4	NATURAL	2a 3b	NONE	1/2 3/4		K**	BLACK



SEE SHEET 1 EC NO: E2010-0090 DRAWN: BRUTTLE 2009/10/19 CHKD: T. TOURISH 2009/10/21 APPR: BMAGUIRE 2009/10/22	QUALITY SYMBOLS 	GENERAL TOLERANCES (UNLESS SPECIFIED) <table border="1"> <tr><th></th><th>mm</th><th>INCH</th></tr> <tr><td>4 PLACES</td><td>± .005</td><td>± .0004</td></tr> <tr><td>3 PLACES</td><td>± .008</td><td>± .0005</td></tr> <tr><td>2 PLACES</td><td>± .015</td><td>± .0008</td></tr> <tr><td>1 PLACE</td><td>± .030</td><td>± .0015</td></tr> </table>		mm	INCH	4 PLACES	± .005	± .0004	3 PLACES	± .008	± .0005	2 PLACES	± .015	± .0008	1 PLACE	± .030	± .0015	DIMENSION STYLE <b>MM ONLY</b>	SCALE <b>1:1</b>	DESIGN UNITS <b>METRIC</b>	THIRD ANGLE PROJECTION 
		mm	INCH																		
	4 PLACES	± .005	± .0004																		
	3 PLACES	± .008	± .0005																		
2 PLACES	± .015	± .0008																			
1 PLACE	± .030	± .0015																			
DRAFT WHERE APPLICABLE MUST REMAIN WITHIN DIMENSIONS	DRAWN BY GMCSWEEN 2004/10/12 CHECKED BY BMAGUIRE 2005/01/07 APPROVED BY BMAGUIRE 2005/01/07	DATE 2004/10/12 2005/01/07 2005/01/07	TITLE <b>5MM APPLI-MATE 10A F-INDIRECT CONN ASSY</b>	MATERIAL NO. <b>SD-91778-001</b>	DOCUMENT NO.	SHEET NO. <b>3 OF 7</b>															
SIZE <b>A2</b>	THIS DRAWING CONTAINS INFORMATION THAT IS PROPRIETARY TO MOLEX INCORPORATED AND SHOULD NOT BE USED WITHOUT WRITTEN PERMISSION																				
MOLEX INCORPORATED																					

MOLEX PART NO.	CIRCUIT SIZE	COLOUR	POSITION KEYS	CODING KEYS	LATCH POSITION	CONFIGURATION	REF	COLOUR STRIPE
91778-0301	5	NATURAL	1a 3a	01c d30	1/2 & 4/5		K30	NONE
91778-0302	5	NATURAL	1a 5b	01c d20 03c d50	1/2 & 3/4		K31	NONE
91778-0303	5	NATURAL	2a	01c d50	2/3 & 4/5		K43	NONE
91778-0304	5	NATURAL	ALL	01c d50	2/3 & 4/5		K42	NONE
91778-0305	5	NATURAL	ALL	ALL	2/3 & 4/5		K92	NONE
91778-0306	5	NATURAL	ALL	ALL	1/2 & 3/4		K00	NONE
91778-0307	5	NATURAL	ALL	ALL	1/2 & 4/5		K90	NONE
91778-0308	5	NATURAL	2a 4b	01c d20 d40	1/2 & 3/4		K44	NONE
91778-0309	5	NATURAL	1a 3a	01c d30 d50	1/2 & 4/5		K49	NONE
91778-0310	5	NATURAL	NONE	01c d40	1/2 & 3/4		K**	NONE
91778-0311	5	NATURAL	1a 5b	01c d20 03c d50	1/2 & 3/4		K31	NONE
91778-0312	5	NATURAL	2a	01c d50	2/3 4/5		K43	NONE
91778-0313	5	NATURAL	1a 2b 3b 4b 5b	d10 02c 04c d50	4/5		K**	NONE
91778-0314	5	NATURAL	5b	01c d20 03c d50	4/5		K**	NONE
91778-0315	5	NATURAL	ALL	d20, d40	1/2 3/4		K84	NONE
91778-0316	5	NATURAL	5b	d30	1/2		K**	NONE



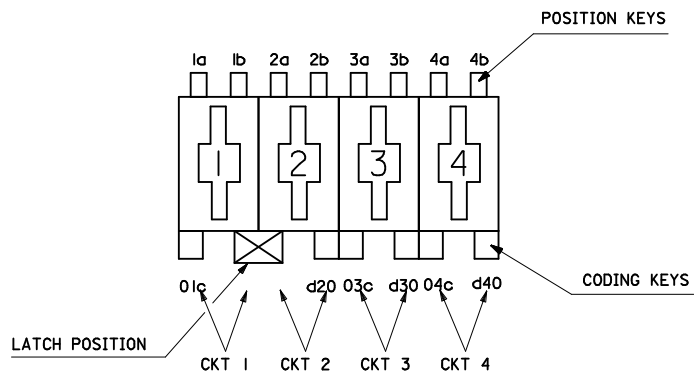
KEYING, CODING & LATCH IDENTIFICATION  
(4 CKT EXAMPLE SHOWN)  
VIEW IN MATING DIRECTION

<b>SEE SHEET 1</b> EC NO: E2010-0090 DRAWN BY: 2009/10/19 CHKD: T. TOURISH 2009/10/21 APPR: BMAGUIRE 2009/10/22	<b>QUALITY SYMBOLS</b> 	<b>GENERAL TOLERANCES (UNLESS SPECIFIED)</b> <table border="1"> <thead> <tr> <th></th> <th>mm</th> <th>INCH</th> </tr> </thead> <tbody> <tr> <td>4 PLACES</td> <td>± ---</td> <td>± ---</td> </tr> <tr> <td>3 PLACES</td> <td>± ---</td> <td>± ---</td> </tr> <tr> <td>2 PLACES</td> <td>± 0.1</td> <td>± ---</td> </tr> <tr> <td>1 PLACE</td> <td>± 0.2</td> <td>± ---</td> </tr> </tbody> </table>		mm	INCH	4 PLACES	± ---	± ---	3 PLACES	± ---	± ---	2 PLACES	± 0.1	± ---	1 PLACE	± 0.2	± ---	<b>DIMENSION STYLE</b> <b>MM ONLY</b>	<b>SCALE</b> <b>1:1</b>	<b>DESIGN UNITS</b> <b>METRIC</b>	<b>THIRD ANGLE PROJECTION</b>
		mm	INCH																		
	4 PLACES	± ---	± ---																		
	3 PLACES	± ---	± ---																		
2 PLACES	± 0.1	± ---																			
1 PLACE	± 0.2	± ---																			
<b>DESCRIPTION</b> 5MM APPLI-MATE 10A F-INDIRECT CONN ASSY	<b>DRAWN BY</b> G MCSWEEN	<b>DATE</b> 2004/10/12	<b>TITLE</b> 5MM APPLI-MATE 10A F-INDIRECT CONN ASSY																		
<b>APPROVED BY</b> BMAGUIRE	<b>DATE</b> 2005/01/07	<b>MOLEX INCORPORATED</b>																			
<b>MATERIAL NO.</b> SEE CHARTS	<b>DATE</b> 2005/01/07	<b>DOCUMENT NO.</b> SD-91778-001	<b>SHEET NO.</b> 4 OF 7																		

MOLEX PART NO.	CIRCUIT SIZE	COLOUR	POSITION KEYS	CODING KEYS	LATCH POSITION	CONFIGURATION	REF	COLOUR STRIPE
91778-0401	6	NATURAL	ALL	ALL	2/3 & 4/5		K90	NONE
91778-0402	6	NATURAL	1b	03c d60	1/2 & 5/6		K91	NONE
91778-0403	6	NATURAL	ALL	ALL	1/2 & 5/6		K53	NONE
91778-0404	6	NATURAL	5b	01c d40	1/2 & 5/6		K61	NONE
91778-0405	6	NATURAL	1b 6a	d30	1/2 & 5/6		K...	NONE
91778-0406	6	NATURAL	2b 6b	d40	1/2 & 5/6		K04	NONE
91778-0407	6	NATURAL	5b	02c 06c	3/4		K**	NONE
91778-0408	6	NATURAL	1b 3a 4b 5a 5b 6b	01c d60	2/3		K**	NONE
91778-0409	6	NATURAL	1b 2a 5b 6b	d50 06c	3/4		K**	NONE
91778-0410	6	BLACK	ALL	02c, d50	2/3, 4/5		K38	NONE

MOLEX PART NO.	CIRCUIT SIZE	COLOUR	POSITION KEYS	CODING KEYS	LATCH POSITION	CONFIGURATION	REF	COLOUR STRIPE
91778-0601	8	NATURAL	ALL	ALL	3/4 & 5/6		K00	NONE
91778-0602	8	NATURAL	1b 3a 3b 5a 5b 7a 8a	01c d20 03c 05c 07c	3/4 & 5/6		K36	NONE
91778-0603	8	NATURAL	ALL	ALL	1/2 & 7/8		K90	NONE
91778-0604	8	NATURAL	ALL	03c d60	1/2 & 7/8		K39	NONE
91778-0605	8	NATURAL	2b 8a	03c d60	1/2 & 7/8		K...	NONE
91778-0606	8	NATURAL	8b	02c d30 07c	2/3 & 7/8		K...	NONE
91778-0607	8	NATURAL	2b 8a	03c d60	1/2		K...	NONE
91778-0608	8	NATURAL	8b	02c d30	2/3		K49	NONE
91778-0609	8	NATURAL	NONE	d20 03c d60 07c	1/2 & 7/8		K...	NONE

MOLEX PART NO.	CIRCUIT SIZE	COLOUR	POSITION KEYS	CODING KEYS	LATCH POSITION	CONFIGURATION	REF	COLOUR STRIPE
91778-0501	7	NATURAL	2b	d20 07c	1/2 & 5/6		K37	NONE
91778-0502	7	NATURAL	ALL	ALL	1/2 & 5/6		K00	NONE
91778-0503	7	NATURAL	NONE	d20	1/2 & 5/6		K44	NONE
91778-0504	7	NATURAL	ALL	ALL	2/3 & 6/7		K90	NONE
91778-0505	7	NATURAL	ALL	02c d50	2/3 & 6/7		K49	NONE
91778-0506	7	NATURAL	NONE	d20 03c 07c	5/6		K**	NONE
91778-0507	7	NATURAL	1a 6b	03c 07c	4/5		K**	NONE
91778-0508	7	NATURAL	NONE	04c 05c	1/2 5/6		K**	NONE
91778-0509	7	NATURAL	NONE	04c 07c	1/2 5/6		K**	NONE
91778-0510	7	NATURAL	NONE	d20, 03c, d70	1/2 5/6		K**	NONE
91778-0511	7	NATURAL	NONE	d20, 07c	1/2 & 5/6		--	NONE
91778-0512	7	NATURAL	NONE	d20, 03c	1/2 & 5/6		--	NONE

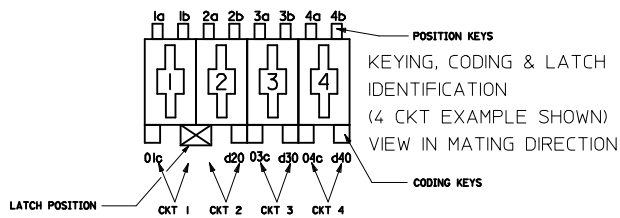


KEYING, CODING & LATCH IDENTIFICATION  
(4 CKT EXAMPLE SHOWN)  
VIEW IN MATING DIRECTION

SEE SHEET 1 EC NO: E2010-0090 DRAWN BY: DRW:BRUTTE 2009/10/19 CHKD: T. TOURISH 2009/10/21 APPR: BMAGUIRE 2009/10/22	QUALITY SYMBOLS	GENERAL TOLERANCES (UNLESS SPECIFIED)	DIMENSION STYLE MM ONLY	SCALE 1:1	DESIGN UNITS METRIC	THIRD ANGLE PROJECTION
	▽=0	4 PLACES ± --- ± ---	mm INCH	DRAWN BY GMC/SWEEN	DATE 2004/10/12	TITLE 5MM APPLI-MATE 10A F-INDIRECT CONN ASSY
	▽=0	3 PLACES ± --- ± ---		CHECKED BY BMAGUIRE	DATE 2005/01/07	
		2 PLACES ± 0.1 ± ---		APPROVED BY BMAGUIRE	DATE 2005/01/07	
	1 PLACE ± 0.2 ± ---	ANGULAR ± 1/2°		MATERIAL NO.	DOCUMENT NO.	
	DRAFT WHERE APPLICABLE MUST REMAIN WITHIN DIMENSIONS	SEE CHARTS	THIS DRAWING CONTAINS INFORMATION THAT IS PROPRIETARY TO MOLEX INCORPORATED AND SHOULD NOT BE USED WITHOUT WRITTEN PERMISSION			

MOLEX PART NO.	CIRCUIT SIZE	COLOUR	POSITION KEYS	CODING KEYS	LATCH POSITION	CONFIGURATION	REF	COLOUR STRIPE
91778-0701	9	NATURAL	ALL	ALL	3/4 & 6/7		K00	NONE
91778-0702	9	NATURAL	1b 2a 3a 5a 6a 7b 8b	01c 03c d70 08c d90	3/4 & 6/7		K34	NONE
91778-0703	9	NATURAL	2b 5a	d80	2/3 & 7/8		K03	NONE
91778-0704	9	NATURAL	7b	03c	5/6		K0A	NONE
91778-0705	9	NATURAL	2b 3b 4a 5a 6b	d10 02c 04c 08c d90	2/3 & 4/5 6/7 & 8/9		K--	NONE
91778-0706	9	NATURAL	7b 2a 4b 5a 8b 9b	01c d20 d70 08c	1/2 & 4/5 6/7 & 8/9		K--	NONE
91778-0707	9	NATURAL	5b 6a	NONE	3/4 & 7/8		K--	NONE
91778-0708	9	NATURAL	5b 6a	d30 d70	1/2 & 6/7		K--	NONE
91778-0709	9	NATURAL	5b	d30, 04c d70, 08c	1/2 & 6/7		K--	NONE

MOLEX PART NO.	CIRCUIT SIZE	COLOUR	POSITION KEYS	CODING KEYS	LATCH POSITION	CONFIGURATION	REF	COLOUR STRIPE
91778-0801	10	NATURAL	ALL	ALL	3/4 & 7/8		K00	NONE
91778-0802	10	NATURAL	1a 3b 7b 8a	01c d20 d40 05c d100	3/4 & 7/8		K34	NONE
91778-0803	10	NATURAL	ALL	ALL	4/5 & 7/8		K98	NONE
91778-0804	10	NATURAL	ALL	ALL	4/5 & 6/7		K99	NONE
91778-0805	10	NATURAL	1a 10b	07c	4/5 & 7/8		K39	NONE
91778-0806	10	NATURAL	1b 9a	06c	4/5 & 6/7		K40	NONE
91778-0807	10	NATURAL	1b	03c	5/6		K--	NONE
91778-0808	10	NATURAL	4b 6b 8a 8b	d100	5/6		K**	NONE
91778-0809	10	NATURAL	4b 6b 8a 8b	06c d100	NONE		K**	NONE
91778-0810	10	NATURAL	NONE	d30 04c d70 08c	2/3 8/9		K**	NONE

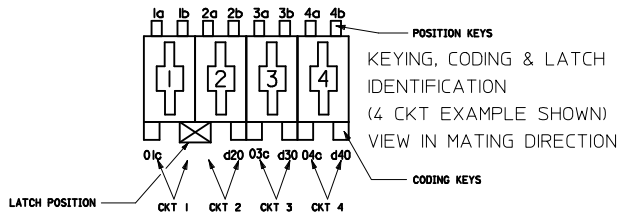


<b>NEW PART NUMBERS</b> EC NO: E2010-0090 DRWN: BRUTTLE 2009/10/19 CHKD: T. TOURISH 2009/10/21 APPR: BMAGUIRE 2009/10/22	<b>QUALITY SYMBOLS</b> 	<b>GENERAL TOLERANCES (UNLESS SPECIFIED)</b>		<b>DIMENSION STYLE</b> MM ONLY	<b>SCALE</b> 1:1	<b>DESIGN UNITS</b> METRIC	THIRD ANGLE PROJECTION
		4 PLACES ± --- ± --- 3 PLACES ± --- ± --- 2 PLACES ± 0.1 ± --- 1 PLACE ± 0.2 ± --- ANGULAR ± 1/2°	DRAWN BY GMCSWEEN 2004/10/12 CHECKED BY BMAGUIRE 2005/01/07 APPROVED BY BMAGUIRE 2005/01/07	DATE DATE DATE	<b>TITLE</b> 5MM APPLI-MATE 10A F-INDIRECT CONN ASSY		
DRAFT WHERE APPLICABLE MUST REMAIN WITHIN DIMENSIONS		<b>SEE CHARTS</b>		<b>MATERIAL NO.</b> SD-91778-001		<b>DOCUMENT NO.</b> SHEET NO. 6 OF 7	
THIS DRAWING CONTAINS INFORMATION THAT IS PROPRIETARY TO MOLEX INCORPORATED AND SHOULD NOT BE USED WITHOUT WRITTEN PERMISSION							



MOLEX PART NO.	CIRCUIT SIZE	COLOUR	POSITION KEYS	CODING KEYS	LATCH POSITION	CONFIGURATION	REF	COLOUR STRIPE
91778-0901	11	NATURAL	ALL	ALL	3/4 & 8/9		K00	NONE
91778-0902	11	NATURAL	1a 2b 3b 4a 4b 5a 7a 8a 9a 10a 11a	01c d40 05c 08c 010c	3/4 & 8/9		K33	NONE

MOLEX PART NO.	CIRCUIT SIZE	COLOUR	POSITION KEYS	CODING KEYS	LATCH POSITION	CONFIGURATION	REF	COLOUR STRIPE
91778-1001	12	NATURAL	ALL	ALL	3/4 & 9/10		K00	NONE
91778-1002	12	NATURAL	1a 2a 4a 4b 5a 6b 8a 11a	01c 03c 05c 07c d80 d100 11c	3/4 & 9/10		K41	NONE



SEE SHEET 1 EC NO: E2010-0090 DRAWN: BRUTTLE 2009/10/19 CHKD: T. TOURISH 2009/10/21 APPR: BMAGUIRE 2009/10/22	QUALITY SYMBOLS ▽=0 ▽=0	GENERAL TOLERANCES (UNLESS SPECIFIED) mm INCH 4 PLACES ± --- ± --- 3 PLACES ± --- ± --- 2 PLACES ± 0.1 ± --- 1 PLACE ± 0.2 ± --- ANGULAR ± 1/2°	DIMENSION STYLE <b>MM ONLY</b>	SCALE 1:1	DESIGN UNITS METRIC	FIRST ANGLE PROJECTION
			DRAWN BY GMCSWEEN	DATE 2004/10/12	TITLE <b>5MM APPLI-MATE 10A F-INDIRECT CONN ASSY</b>	
DESCRIPTION REV	DRAFT WHERE APPLICABLE MUST REMAIN WITHIN DIMENSIONS	APPROVED BY BMAGUIRE	DATE 2005/01/07	MATERIAL NO.		
			DATE 2005/01/07	DOCUMENT NO. <b>SD-91778-001</b>		SHEET NO. 7 OF 7
SIZE A2		THIS DRAWING CONTAINS INFORMATION THAT IS PROPRIETARY TO MOLEX INCORPORATED AND SHOULD NOT BE USED WITHOUT WRITTEN PERMISSION				