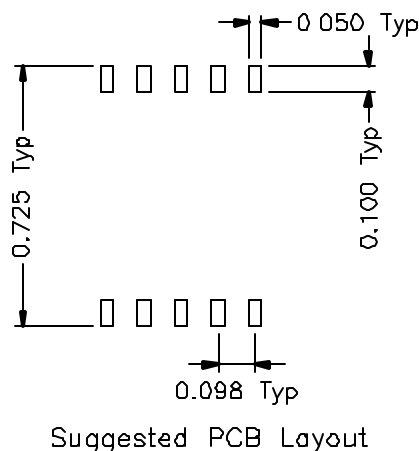
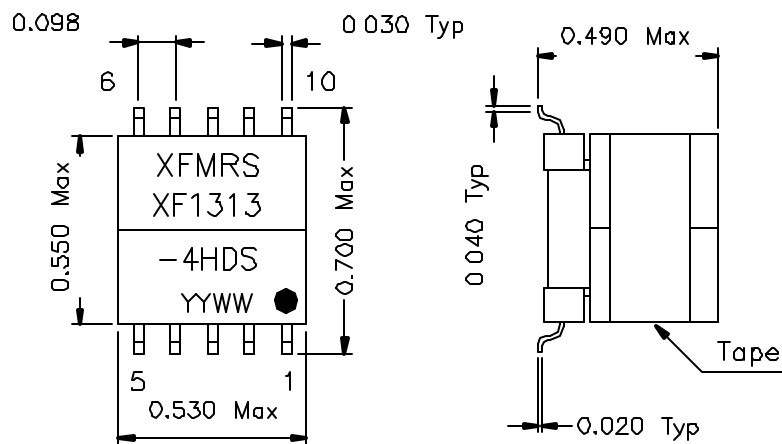
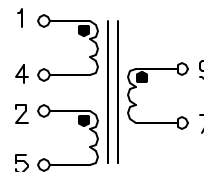


### 1. Dimensions:



### 2.Schematic:



### 3.Electrical Specifications: @25°C

PIN1-5 OCL: 2.0mH ±6% @10KHz 0.1V  
(CONNECT PIN2-4)

PIN1-5 LL: 11uH Max @100KHz 100mV  
(CONNECT PIN2-4, PIN7-9)

URNS RATIO: Line:Chip = 2CS:1±1%

CW/W: PIN1-9 80pF Max. CONNECT PIN2-4

DC Res.: 2.5 Ohms Max (Line)

DC Res.: 1.0 Ohm Max (Chip)

THD: 70dB Min. @20KHz 4.5VP-P

RETURN LOSS: 16.5dB Min. @40KHz-300KHz

INSERTION LOSS: ±0.5dB @40KHz

LONGITUDINAL BALANCE: 50dB Min. @40KHz-300KHz

FREQ RESP: ±0.1dB, 33KHz-110KHz

ISOLATION VOLTAGE: 2500Vrms (Chip to Line)

TEMPERATURE RANGE: -40°C - +85°C

DOC. REV C/2

<b>XFMRS Inc</b>	Title: HDSL TRANSFORMER		
	UNLESS OTHERWISE SPECIFIED	P/N: XF1313-4HDS	REV. C
TOLERANCES: .xxx ±0.010	DWN.	廖玉坤	Oct-07-99
Dimensions in INCH	CHK.	李清儿	Oct-07-99
SHEET 1 OF 1	APP.	Joe Huff	Oct-07-99