



Micro Commercial Components

Micro Commercial Components
20736 Marilla Street Chatsworth
CA 91311
Phone: (818) 701-4933
Fax: (818) 701-4939

MPSA55 MPSA56

Features

- Capable of 1.5Watts of Power Dissipation.
- Collector-current 500mA
- Collector-base Voltage 80V
- Operating and storage junction temperature range: -55°C to +150°C
- Marking: MPSA55, MPSA56
- Lead Free Finish/RoHS Compliant ("P" Suffix designates RoHS Compliant. See ordering information)
- Case Material: Molded Plastic. UL Flammability Classification Rating 94V-0 and MSL Rating 1

Maximum Ratings

Symbol	Rating	Rating	Unit
V _{CEO}	Collector-Emitter Voltage	80	V
V _{CBO}	Collector-Base Voltage	80	V
V _{EBO}	Emitter-Base Voltage	4.0	V
I _C	Collector Current Continuous	500	mA
P _D	Total Device Dissipation @T _A =25°C	625	mW
	Derate above 25°C	5.0	mW/°C
P _D	Total Device Dissipation @T _A =25°C	1.5	W
	Derate above 25°C	12	mW/°C
T _J	Junction Temperature	-55 to +150	°C
T _{STG}	Storage Temperature	-55 to +150	°C

Electrical Characteristics @ 25°C Unless Otherwise Specified

Symbol	Parameter	Min	Max	Units
--------	-----------	-----	-----	-------

OFF CHARACTERISTICS

V _{(BR)CEO}	Collector-Emitter Breakdown Voltage ⁽¹⁾ (I _C =1.0mA, I _B =0)	MPSA55 MPSA56	60 80	Vdc
V _{(BR)EBO}	Emitter-Base Breakdown Voltage (I _E =100µA, I _C =0)		4.0	Vdc
I _{CES}	Collector Cutoff Current (V _{CE} =60Vdc, I _B =0)		0.1	µAdc
I _{CBO}	Collector Cutoff Current (V _{CB} =60Vdc, I _E =0) (V _{CB} =80Vdc, I _E =0)	MPSA55 MPSA56	0.1 0.1	µAdc

ON CHARACTERISTICS⁽¹⁾

h _{FE(1)}	DC Current Gain (I _C =10mA, V _{CE} =1.0Vdc)	100		
h _{FE(2)}	DC Current Gain (I _C =100mA, V _{CE} =1.0Vdc)	100		
V _{CE(sat)}	Collector-Emitter Saturation Voltage (I _C =100mA, I _B =10mA)		0.25	Vdc
V _{BE(on)}	Base-Emitter Saturation Voltage (I _C =100mA, V _{CE} =1.0Vdc)		1.2	Vdc

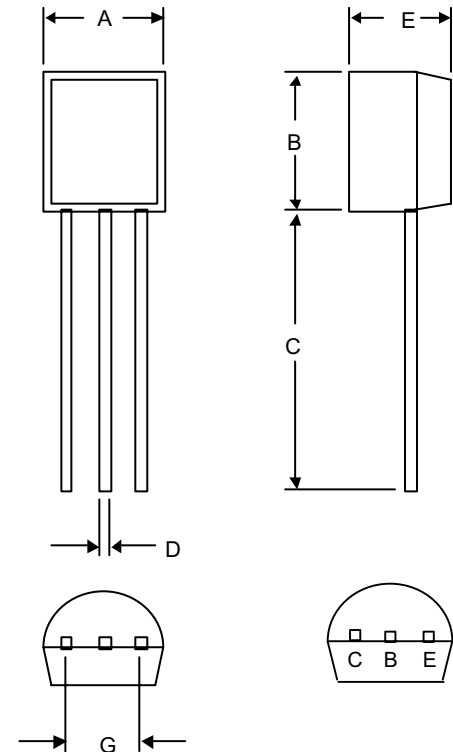
SMALL-SIGNAL CHARACTERISTICS

f _T	Current-Gain – Bandwidth Product ⁽³⁾ (I _C =100mA, V _{CE} =1.0Vdc, f=100MHz)	MPSA55 MPSA56	50	MHz
----------------	--	------------------	----	-----

1. Pulse Test: Pulse Width<300µs, Duty Cycle<2.0%
2. f_T is defined as the frequency at which |h_{fe}| extrapolates to unity.

PNP Silicon Amplifier Transistor

TO-92



DIM	DIMENSIONS				NOTE
	INCHES		MM		
A	.170	.190	4.33	4.83	
B	.170	.190	4.30	4.83	
C	.550	.590	13.97	14.97	
D	.010	.020	0.36	0.56	
E	.130	.160	3.30	3.96	
G	.096	.104	2.44	2.64	



Micro Commercial Components

Ordering Information

Device	Packing
(Part Number)-AP	Tape&Reel;2Kpcs/Box
(Part Number)-BP	Bulk;1Kpcs/Bag

IMPORTANT NOTICE

Micro Commercial Components Corp . reserves the right to make changes without further notice to any product herein to make corrections, modifications , enhancements , improvements , or other changes .
Micro Commercial Components Corp . does not assume any liability arising out of the application or use of any product described herein; neither does it convey any license under its patent rights ,nor the rights of others . The user of products in such applications shall assume all risks of such use and will agree to hold *Micro Commercial Components Corp* . and all the companies whose products are represented on our website, harmless against all damages.

LIFE SUPPORT

MCC's products are not authorized for use as critical components in life support devices or systems without the expresse written approval of Micro Commercial Components Corporation.