

DESCRIPTION

The PT5104 is micro-actuator driver IC with miniature package. It is one channel low voltage bi-directional motor driver IC. The design is optimal for driving different type micro-actuator, such as voice coil motor, piezo-actuator, or other dc motor actuator. It is suitable for camera module or other portable device.

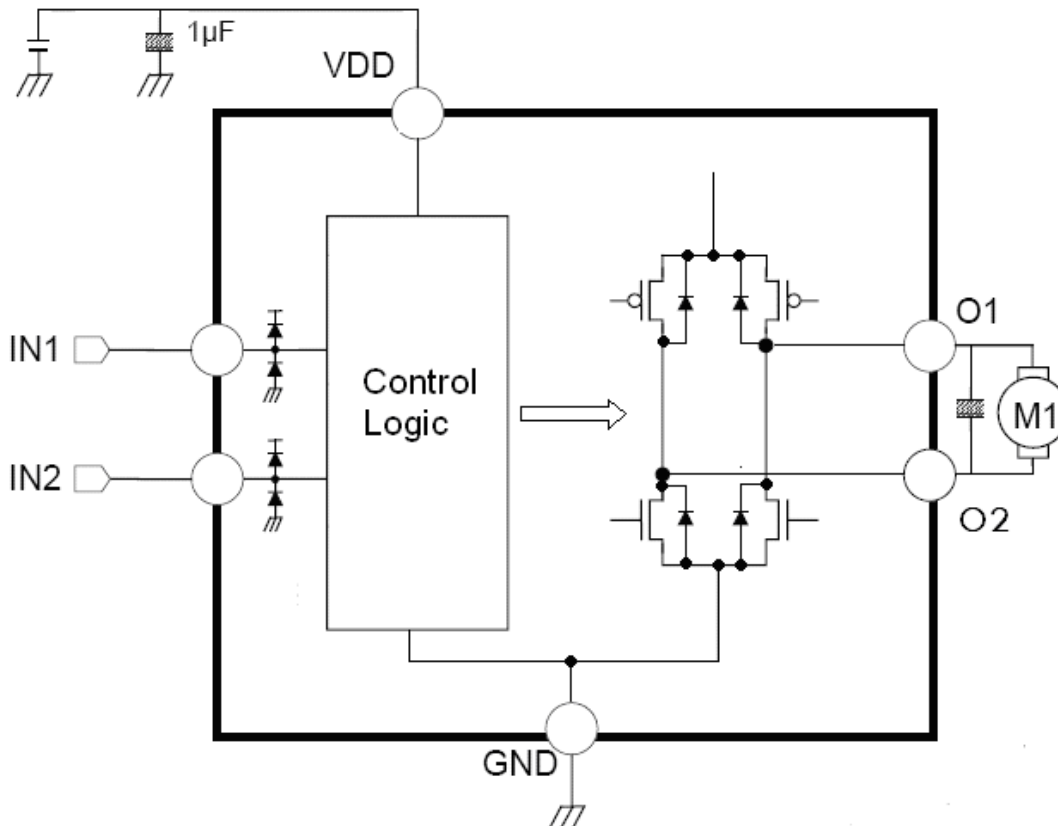
FEATURES

- Low voltage operation ($V_{DD\text{ Min}} = 1.8V$)
- Low input current
- Zero standby current
- High frequency switch(1MHz)
- Thin, Small package (SON6)

APPLICATION

Auto focus for mobile phone

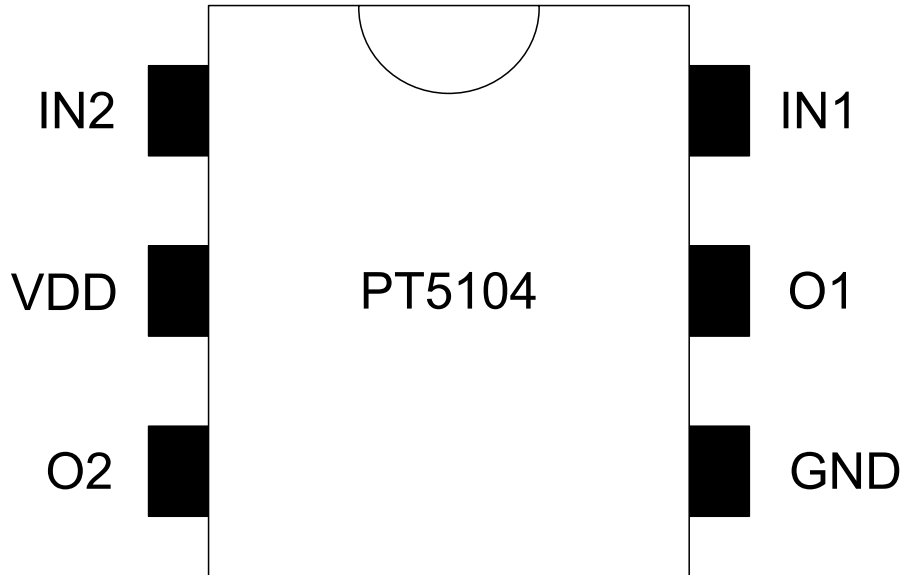
BLOCK DIAGRAM



ORDER INFORMATION

Valid Part Number	Package Type	Top Code
PT5104	6 pins, SON	PT5104

PIN CONFIGURATION



Pin NO.	Pin Name	Description
1	IN2	Driver Control Pin2
2	VDD	Power Supply
3	O2	Output Driving Pin2
4	GND	Ground
5	O1	Output Driving Pin1
6	IN1	Driver Control Pin1
	Bulk	Ground

IMPORTANT NOTICE

Princeton Technology Corporation (PTC) reserves the right to make corrections, modifications, enhancements, improvements, and other changes to its products and to discontinue any product without notice at any time.

PTC cannot assume responsibility for use of any circuitry other than circuitry entirely embodied in a PTC product. No circuit patent licenses are implied.

Princeton Technology Corp.
2F, 233-1, Baociao Road,
Sindian, Taipei 23145, Taiwan
Tel: 886-2-66296288
Fax: 886-2-29174598
<http://www.princeton.com.tw>