

**PLEASE CHECK WWW.MOLEX.COM FOR LATEST PART INFORMATION**

**Part Number:** [0016020082](#)  
**Status:** **Active**  
**Overview:** [cgrid\\_sl\\_products](#)  
**Description:** SL™ Crimp Terminal 70058, 24-30 AWG, Reel Selective Gold (Au)

**Documents:**

[Drawing \(PDF\)](#) [Product Specification PS-70400 \(PDF\)](#)  
[Product Specification PS-51008-001 \(PDF\)](#) [RoHS Certificate of Compliance \(PDF\)](#)  
[Product Specification PS-70058 \(PDF\)](#)

**General**

Product Family Crimp Terminals  
 Series [70058](#)  
 Crimp Quality Equipment Yes  
 Overview [cgrid\\_sl\\_products](#)  
 Product Name SL™

**Physical**

Gender Female  
 Material - Metal Phosphor Bronze  
 Material - Plating Mating Gold  
 Material - Plating Termination Tin  
 Packaging Type Reel  
 Plating min: Mating (µin) 15.2  
 Plating min: Mating (µm) 0.38  
 Plating min: Termination (µin) 50  
 Plating min: Termination (µm) 1.25  
 Termination Interface: Style Crimp or Compression  
 Wire Insulation Diameter 1.52mm (.060") max.  
 Wire Size AWG 24, 26, 28, 30  
 Wire Size mm² N/A

**Material Info**

Old Part Number 70058-0006

**Reference - Drawing Numbers**

Packaging Specification PK-70873-1300  
 Product Specification PS-51008-001, PS-70058, PS-70400  
 Sales Drawing SD-70058-0006  
 Test Summary TS-70058-001

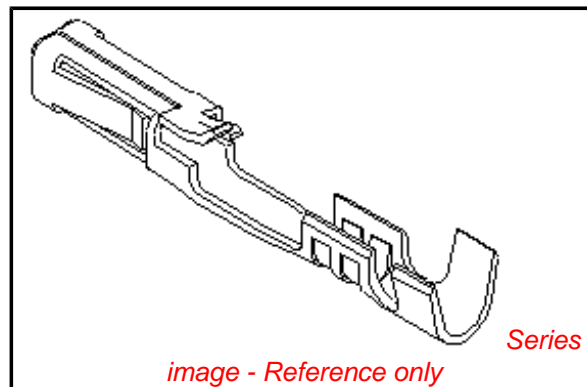


image - Reference only

**EU RoHS**

**ELV and RoHS Compliant**  
**REACH SVHC Contains SVHC: No**  
**Halogen-Free Status**

**China RoHS**



**Need more information on product environmental compliance?**

Email [productcompliance@molex.com](mailto:productcompliance@molex.com)  
 For a multiple part number RoHS Certificate of Compliance, [click here](#)

Please visit the [Contact Us](#) section for any non-product compliance questions.

**Search Parts in this Series**

[70058Series](#)

**Application Tooling | [FAQ](#)**

*Tooling specifications and manuals are found by selecting the products below. Crimp Height Specifications are then contained in the Application Tooling Specification document.*

**Global**

Description	Product #
FineAdjust™ Applicator Hand Crimp Tool, UL Approved	<a href="#">0639001500</a>
FineAdjust™ Applicator for SL™ Female Crimp Terminal, 24-30 AWG	<a href="#">0639003100</a>
T2 Terminator Tooling Die	<a href="#">0639103100</a>
Insertion Tool	<a href="#">0011020022</a>
Extraction Tool	<a href="#">0011030036</a>

**Japan****Description****Product #**

Applicator for M211A Bench Press, 22-30 AWG, for 70058/50083/50084 Crimp Terminal Side-Feed Applicator For Full-Auto Machine	<u>0570143000</u>     <u>0570143200</u>   <u>0570336000</u>
---	---

This document was generated on 05/18/2010

**PLEASE CHECK [WWW.MOLEX.COM](http://WWW.MOLEX.COM) FOR LATEST PART INFORMATION**

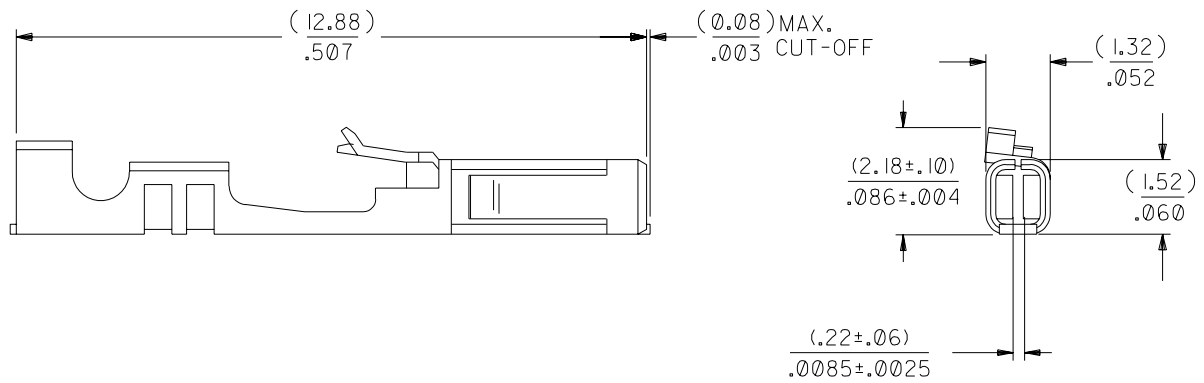
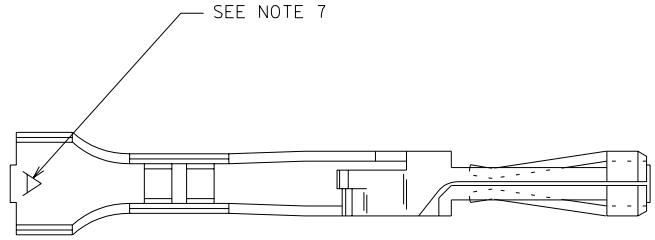
**NOTES:**

1. TERMINAL TO BE USED IN HOUSINGS 70066-\*\*\*\* AND 70450-\*\*\*\*
2. REFER TO PRODUCT SPECIFICATION PS-70058
3. REFER TO MOLEX OPERATIONS AND SERVICE MANUAL FOR CRIMP DETAILS
4. TERMINAL TO BE USED WITH (0.64)/.025 SQUARE PINS
5. TERMINAL TO BE USED WITH 24-30 AWG STRANDED WIRE WITH (1.52)/.060 MAX. DIA. INSULATION
6. TERMINALS SUPPLIED IN REEL FORM
7. CRIMP SIZE INDICATOR A=24-30 AWG

\*THE PRIMARY SHIPPING CARTON WILL BE LABELED "COMPLIANT TO RoHS DIRECTIVE 2002/95/EC AND ELV ANNEX II OF DIRECTIVE 2000/53/EC". CARTONS WITHOUT THIS LABEL MAY CONTAIN PRODUCT WITH LEAD.

**PLATING:**

.000015 MIN. GOLD PLATE IN SELECT AREA,  
 .000075 MIN. TIN PLATE IN SELECT AREA,  
 OVER NICKEL PLATE OVERALL.



		DI	REVISED ECR #U80270 MCGRATH 97/07/31
E	LEAD FREE UCP2004-1769 RWHITE 04/03/11	D	REVISE PER ECR# U82218 11-07-88 MJM/MGB
D2	ADD. WRP. SIZE&NOTE 7 ECN UDT1998-0183 MQWANG 04/16/98	C	REDRAWN & REVISED PER ECR #U81133 03/02/88 MJM/JAS
LTR.	REVISIONS	LTR.	REVISIONS

DIMENSIONS SHOWN (METRIC) INCH	
UNLESS OTHERWISE SPECIFIED TOLERANCES: ANGULAR ± 1/2°	
3 PLACE	± .005
2 PLACE	± .01
1 PLACE	---
DRAFT WHERE APPLICABLE MUST REMAIN WITHIN DIMENSIONS	
DRWG. BY: JAS	CHK'D. BY:
APP'D. BY:	SCALE 10:1

▽ = 0	▼ = 0	REVISE ONLY ON CAD SYSTEM	
TITLE TERMINAL - BOX/CRIMP			
MOLEX INCORPORATED LISLE, ILL. 60532 U.S.A.		SHEET NO. 1 OF 1	DATE 03/02/88
PART NO. 016-02-0082		DRWG. NO. SD-70058-0006	
FILE NAME S70058A5 DGN	THIS DRAWING CONTAINS INFORMATION THAT IS PROPRIETARY TO MOLEX INC. AND SHOULD NOT BE USED WITHOUT WRITTEN PERMISSION.		DIV. SIZE DA B