



COMMON MODE CHOKES

ACM0433CI

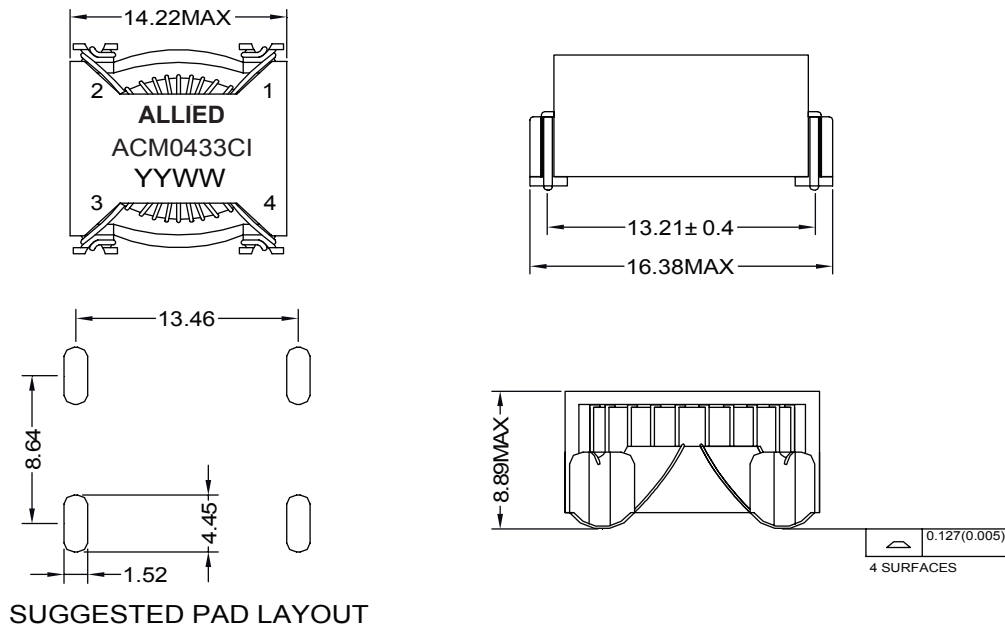
- Common mode choke for power application
- High Impedance to minimize common mode noise
- Excellent EMI performance
- Industrial temperature: -40°C to +130°C



Electrical Specifications @25°C						
Part Number	OCL @10KHz/0.1V		Turns Ratio @10KHz/0.1V	DCR		HI-POT
	1-2	3-4	1-2:3-4	1-2	3-4	(Vrms)
ACM0433CI	6.0mH min	6.0mH min	1:1±2%	450mΩ MAX	450mΩ MAX	AC 250V/1mA/2S

All specifications subject to change without notice.

MECHANICAL



Units: mm

SCHEMATICS

