

FEATURES

- ✧ Data Rate up to 2.7 Gbps
- ✧ 0.9 A/W Typical Responsivity
- ✧ Breakdown Voltage: 40V Typical
- ✧ Wide Wavelength Band: 1260 nm to 1620 nm
- ✧ Case Operating Temperature: -40 to 85°C
- ✧ Hermetically sealed 3-pin metal case

APPLICATIONS

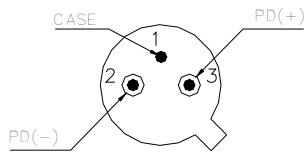
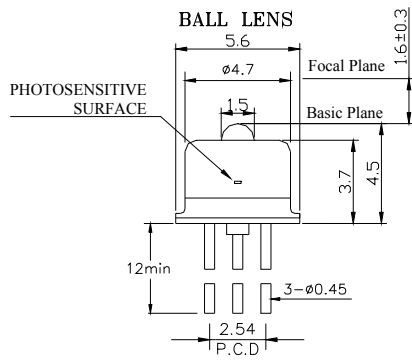
Receiver supports long distance fiber-optics communication systems with performance up to 2.7 Gb/s data rate, -40 to 85 °C operating temperature.

ELECTRICAL AND OPTICAL CHARACTERISTICS (Tc=25°C)						
Symbol	Parameter	Test Conditions	Min.	Typ.	Max.	Unit
	Detection Range	λ	1260	-	1620	nm
VBR	Breakdown Voltage	Idark=10 μ A	35		47	V
VOP	Operating Voltage	Best Sensitivity		VBR-3	VBR-2	V
dVBR/dT	Temperature Coefficient of Breakdown Voltage		0.06	0.07	0.10	V/°C
Idark	Dark Current	VR =0.9 VBR		80	100	nA
R	Responsivity	λ =1550nm, M=1	0.85	0.9		A/W
C	Capacitance	VR =0.9 VBR, f=1MHz			0.6	pF
BW	Bandwidth	RL=50 Ω , -3 dB, M=10	2.5			GHz

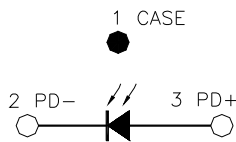
Absolute Maximum Ratings (Tc=25 °C)				
Symbol	Parameter	Minimum	Maximum	Unit
IF	APD Forward Current		2	mA
IR	APD Reverse Current		3	mA
VR	APD Reverse Voltage		VBR	V
Topr	Operating Temperature	-40	85	°C
Tstg	Storage Temperature	-40	85	°C

Stress in excess of the absolute Maximum Ratings may cause permanent damage to the device.

MECHANICAL DIMENSION (mm) and PIN ASSIGNMENT



BOTTOM VIEW



- Note:**
1. Specifications subject to change without notice.
 2. Other PIN assignment is available upon request.

ORDER INFORMATION

Part No.: **A P D - 1 1 0 0**

Code	Package
0	Ball Lens Cap

Revision History

Version	Subject	Release Date
1.0	Initial datasheet	2005/3/1
2.0	Revise mechanical drawing	2009/4/9