



LA72914V — Monolithic Linear IC FM Modulator and Demodulator IC

Overview

The LA72914V is a FM modulation and demodulation IC for audio signals. And it is possible to use that for the data pulse or the control pulse, etc.

Functions

- Alignment-free FM modulator and demodulator of 4.5MHz.
- Alignment-free FM modulator and demodulator of 6.5MHz.
- ALC/ FMAGC, Emphasis/ De-emphasis
- Carrier frequency adjustment function, Standby switch

Specifications

Maximum Ratings at Ta = 25°C

Parameter	Symbol	Conditions	Ratings	Unit
Maximum supply voltage	V _{CC} max		7.0	V
Allowable power dissipation	Pd max	Ta ≤ 70°C *	300	mW
Operating temperature	Topr		-20 to +70	°C
Storage temperature	Tstg		-40 to +150	°C

When mounted on a 114.3mm × 76.1mm × 1.6mm, glass epoxy.

Recommended Operating Conditions at Ta = 25°C

Parameter	Symbol	Conditions	Ratings	Unit
Recommended supply voltage	V _{CC}	Ta=25°C	5.0	V
Allowable operating voltage range	V _{CC} op	Ta = -20 to +70°C	4.7 to 5.5	V

■ Any and all SANYO Semiconductor Co.,Ltd. products described or contained herein are, with regard to "standard application", intended for the use as general electronics equipment (home appliances, AV equipment, communication device, office equipment, industrial equipment etc.). The products mentioned herein shall not be intended for use for any "special application" (medical equipment whose purpose is to sustain life, aerospace instrument, nuclear control device, burning appliances, transportation machine, traffic signal system, safety equipment etc.) that shall require extremely high level of reliability and can directly threaten human lives in case of failure or malfunction of the product or may cause harm to human bodies, nor shall they grant any guarantee thereof. If you should intend to use our products for applications outside the standard applications of our customer who is considering such use and/or outside the scope of our intended standard applications, please consult with us prior to the intended use. If there is no consultation or inquiry before the intended use, our customer shall be solely responsible for the use.

■ Specifications of any and all SANYO Semiconductor Co.,Ltd. products described or contained herein stipulate the performance, characteristics, and functions of the described products in the independent state, and are not guarantees of the performance, characteristics, and functions of the described products as mounted in the customer's products or equipment. To verify symptoms and states that cannot be evaluated in an independent device, the customer should always evaluate and test devices mounted in the customer's products or equipment.

LA72914V

Electrical Characteristics at Ta = 25°C, VCC = 5V

DC Characteristic

Parameter	Symbol	Conditions	Ratings			Unit
			min	typ	max	
2.4V regulator	VREG	Measure the DC voltage at pin 2	2.2	2.4	2.6	V
Current dissipation	ICC1	Measure the current into pin 4 in normal mode.	26.0	33.0	40.0	mA
	ICC2	Measure the current into pin 4 in stand-by mode.	2.0	2.5	3.0	mA
Control pin (6 pin) Low level	CNT6L	Low level of input pin (6pin) in 4.5MHz TX mode.	0		0.4	V
Control pin (6 pin) Middle level	CNT6M	Middle level of input pin (6pin) in stand-by mode.	2.0		3.0	V
Control pin (6 pin) High level	CNT6H	High level of input pin (6pin) in 6.5MHz TX mode.	4.5		5.0	V
AGC stop at pin 11 control voltage	AGCS	Voltage of input pin (pin 11) in AGC stop	4.5		5.0	V
TX OFF mode at pin 16 control voltage	CNT16L	Voltage of input pin (pin 16) in TX off mode	0		0.4	V

Sound FM Modulation Block (TX)

Parameter	Symbol	Conditions	Ratings			Unit
			min	typ	max	
FM carrier output frequency	FFM1	Output frequency of T1B in no signals. T6=0.6V, T14:open	4.455	4.500	4.545	MHz
	FFM2	Output frequency of T1B in no signals. T6=4.2V, T14:open	6.435	6.500	6.565	MHz
FM carrier output level	VOFM1	Output level of T1B in no signals. Load impedance = 1kΩ T1-GND. T6=0.6V	1.9	2.3	2.6	Vp-p
	VOFM2	Output level of T1B in no signals. Load impedance = 1kΩ T1-GND. T6=4.2V	1.3	1.7	2.1	Vp-p
FM carrier output second harmonics distortion	2HD1	2 nd harmonics distortion of T1B in no signals. Load impedance = 1kΩ T1-GND. T6=0.6V		-30	-20	dB
	2HD2	2 nd harmonics distortion of T1B in no signals. Load impedance = 1kΩ T1-GND. T6=4.2V		-30	-20	dB
FM carrier output mute level	VFMT	Output level of T1B in TX off mode. T6=0.6V (4.2V)		-60	-50	dB
FM deviation	DEV	FM deviation of T1A, T6=0.6V (4.2V), input at T16=1.0Vp-p/1kHz (sine)	20	25	30	kHz
Emphasis Characteristic	FEMP	T16=200mVp-p, 1kHz (sine), M1=T1 output deviation. T16=200mVp-p, 5kHz (sine), M2=T1 output deviation. FEMP=M2-M1	7	12	17	kHz
ALC characteristic	ALC1	T16A=0.25Vp-p, 1kHz (sine), T3:Open, T6=0.6V, T3 output level	0.45	0.5	0.55	Vp-p
	ALC2	T16A=0.6Vp-p, 1kHz (sine), T3:Open, T6=0.6V, T3 output level	0.9	1.0	1.1	Vp-p
	ALC3	T16A=1.0Vp-p, 1kHz (sine), T3:Open, T6=0.6V, T3 output level	0.95	1.05	1.15	Vp-p
FM carrier "fo" adjustment (reference)	FCNT1	No signal input. Measure T1B frequency. T16:Open, T6=0.6V (4.2V), T14=0.5V		-0.22		MHz
	FCNT2	No signal input. Measure T1B frequency. T16:Open, T6=0.6V (4.2V), T14=4.5V		+-.22		MHz

Sound FM demodulation block (RX)

Parameter	Symbol	Conditions	Ratings			Unit
			min	typ	max	
Sound demodulation level	VOU _T 1	Input signal: CAR=4.5MHz, DEV=±25kHz, MOD=1kHz, Level: 100mVp-p. T5A input. Measure T9B signal level. (T9B-GND: R _{OJT} =10kΩ) T6=4.2V	0.6	0.9	1.3	Vp-p
	VOU _T 2	Input signal: CAR=6.5MHz, DEV=±25kHz, MOD=1kHz, Level: 100mVp-p. T5A input. Measure T9B signal level. (T9B-GND: R _{OJT} =10kΩ) T6=0.6V	0.7	1.0	1.4	Vp-p
S/N	SN1	Input signal: CAR=4.5MHz, No-modulation. Level: 100mVp-p. T5A input. T6=4.2V, (IHF-A) M1=T9B signal level. (T9B-GND: R _{OJT} =10kΩ) SN1=20log(V _{OJT} 1/M1)	35	50		dB
	SN2	Input signal: CAR=6.5MHz, No-modulation. Level: 100mVp-p. T5A input. T6=0.6V, (IHF-A) M1=T9B signal level. (T9B-GND: R _{OJT} =10kΩ) SN1=20log(V _{OJT} 2/M1)	35	50		dB

Continued on next page

LA72914V

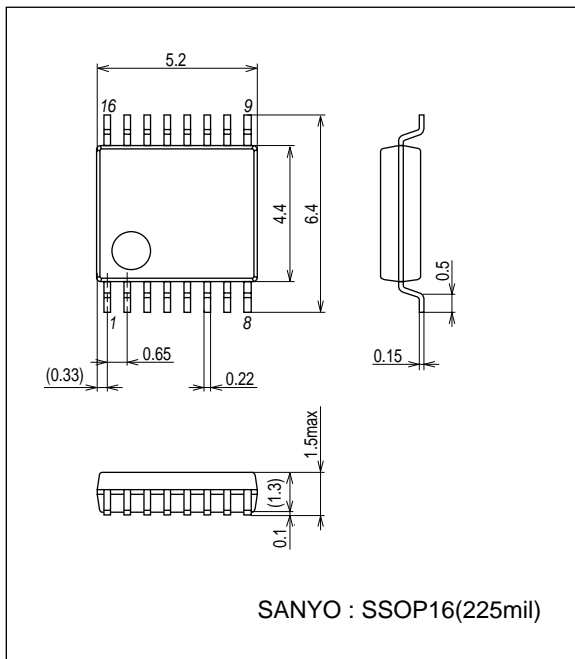
Continued from preceding page.

Parameter	Symbol	Conditions	Ratings			Unit
			min	typ	max	
THD	THD1	Same condition V_{OUT1} . Measure T9B signal.	0	0.3	1.0	%
	THD2	Same condition V_{OUT2} . Measure T9B signal.	0	0.3	1.0	%
De-emphasis characteristic	DEEM1	Input signal: CAR=4.5MHz, DEV=±25kHz, MOD=5kHz, Level: 100mVp-p. T5A input. T6=4.2V, M1=T9B signal level. DEEM=20log(M1/V _{OUT1})	-10	-7.5	-5	dB
	DEEM2	Input signal: CAR=6.5MHz, DEV=±25kHz, MOD=5kHz, Level: 100mVp-p. T5A input. T6=0.6V, M1=T9B signal level. DEEM=20log(M2/V _{OUT2})	-10	-7.5	-5	dB
Trap-filter characteristic	TRP1	T11=4.5V, T6=4.2V, T5A=4.5MHz, 100mVp-p. T12A=A1. T5A=6.5MHz. 100mVp-p. T12A=B1. TRP1=20log(B1/A1)		-20	-15	dB
	TRP2	T11=4.5V, T6=0.6V, T5A=4.5MHz, 100mVp-p. T12A=A1. T5A=6.5MHz. 100mVp-p. T12A=B1. TRP2=20log(A1/B1)		-20	-15	dB
FM AGC characteristic	AGC1	T6=4.2V. T5A=4.5MHz, 300mVp-p. Measure T12 signal level.	250	350	450	mVp-p
	AGC2	T6=0.6V. T5A=6.5MHz, 300mVp-p. Measure T12 signal level.	250	350	450	mVp-p
	AGC3	T6=4.2V. T5A=4.5MHz, 30mVp-p. Measure T12 signal level.	200	300	400	mVp-p
	AGC4	T6=0.6V. T5A=6.5MHz, 30mVp-p. Measure T12 signal level.	200	300	400	mVp-p
FM AGC STOP characteristic	AGCSTP1	T6=4.2V. T11=4.5V, T5A=4.5MHz, 100mVp-p. Measure T12 signal level.	70	100	140	mVp-p
	AGCSTP2	T6=0.6V. T11=4.5V, T5A=6.5MHz, 100mVp-p. Measure T12 signal level.	70	100	140	mVp-p
FM input sensitivity	FMIN1	Input signal: CAR=4.5MHz, DEV=±25kHz, MOD=1kHz, T6=4.2V. When T9B signal is OK, then measure T5A FM input level range.	30	100	300	mVp-p
	FMIN2	Input signal: CAR=6.5MHz, DEV=±25kHz, MOD=1kHz, T6=0.6V. When T9B signal is OK, then measure T5A FM input level range.	30	100	300	mVp-p

Package Dimensions

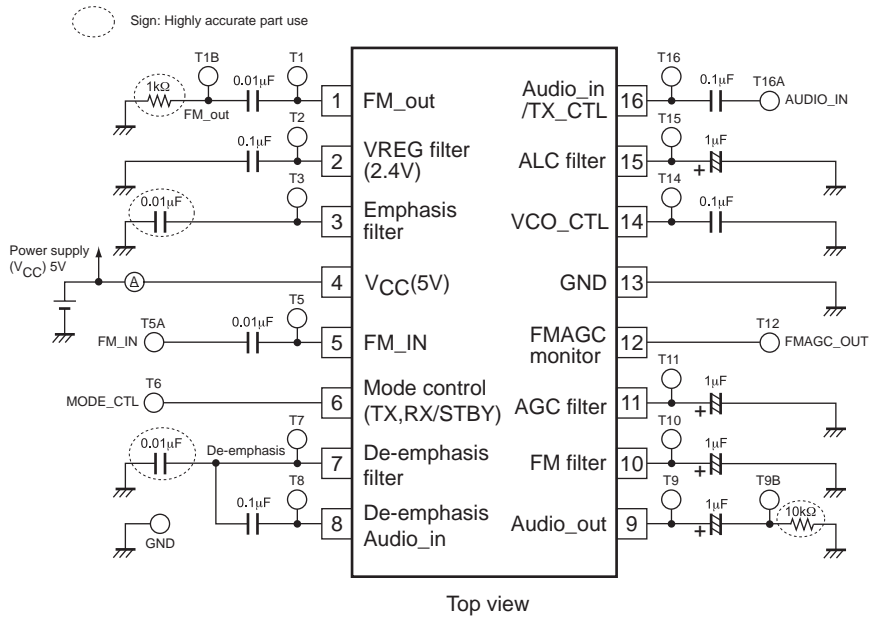
unit: mm (typ)

3178B

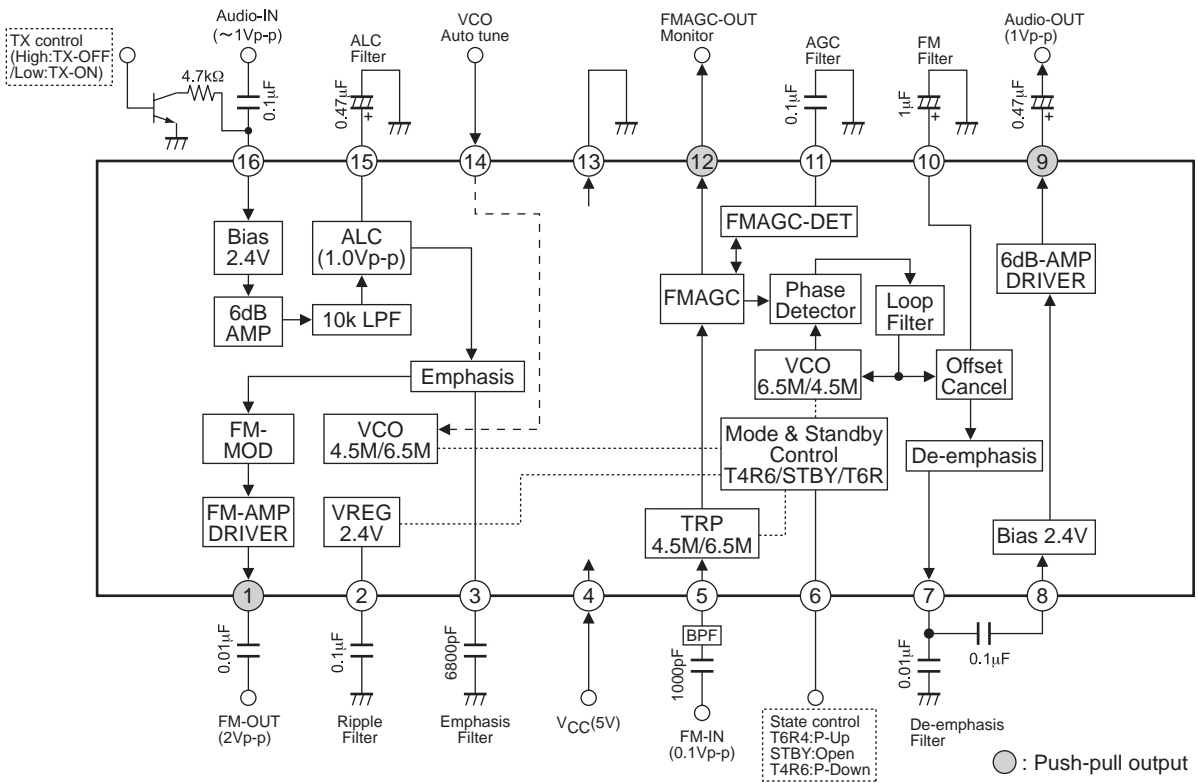


LA72914V

Pin Layout and Measurement circuit



Block Diagram and Application Circuit



LA72914V

Pin Description

Pin No.	Pin Name	Description	Equivalent circuit
1	FM OUT	4.5MHz or 6.5MHz FM carrier output. Push-pull output pin. Output level is 2.5Vp-p (Load resistance=1kΩ)	
2	2.4V REG Filter	Internal regulator filter pin. Please connect 0.1μF (C1)	
3	Emphasis Filter	Emphasis filter pin. Before FM modulation, make emphasis Characteristic at audio signal. C1(6800pF) Emphasis time constant must be matching de-emphasis time constant. (If you don't need the emphasis, this pin is open.)	
4	VCC	VCC pin. Supply voltage is 5V DC. Please connect de-coupling capacitor. (about 47μF)	
5	FM IN	FM signal input. Please use capacitor coupling.	
6	Mode CTL	MODE control pin. Control modulation frequency TX=4.5MHz: 0 to 0.4V Stand-by: 2.0 to 3.0V TX=6.5MHz: 4.5V to VCC	

Continued on next page.

LA72914V

Continued from preceding page.

Pin No.	Pin Name	Description	Equivalent circuit
7	De-emphasis Filter	De-emphasis filter pin. De-emphasis time constant must be matching at emphasis time constant. Recommend value is 6800pF to 0.01μF. Connect Cap. Coupling to pin8.	
8	RX Audio IN	Internal DC bias is 2.4V. Please connect Cap. coupling.	
9	Audio OUT	Audio signal output pin. Push-pull output pin. Output level is 1.0Vp-p at 1kHz. (Load resistance=10kΩ)	
10	FM Filter	FM demodulator filter pin. Please connect 1.0μF capacitor. (If you need rising of low frequency gain, then change more large capacitor in use.)	
11	AGC Filter	FM AGC filter pin. Please connect 0.1μF capacitor. If you need reduce AGC-gain, then connect resistor (R1: 11pin-V _{CC}) If FM AGC no need, please set pin11 voltage over 4.5V DC voltage.	

Continued on next page.

LA72914V

Continued from preceding page.

Pin No.	Pin Name	Description	Equivalent circuit
12	AGC monitor	FM AGC monitor pin.	
13	GND	GND pin.	
14	V _{CO} CTL	Modulation frequency fine control pin. Adjustment frequency is, about ±220kHz at 0.5V to 4.5V DC.	
15	ALC CTL	Audio ALC filter pin. Please connect 0.47μF capacitor.	
16	TX Audio IN (TX-OFF_CTL)	Audio signal input pin. Internal bias is 2.4V DC. Please use capacitor coupling. If DC voltage set to under 0.4V DC, then modulator circuit stops. Demodulation circuit is work. This is receiving only mode. (TX-OFF: 0 to 0.4V)	

Signal processing outline

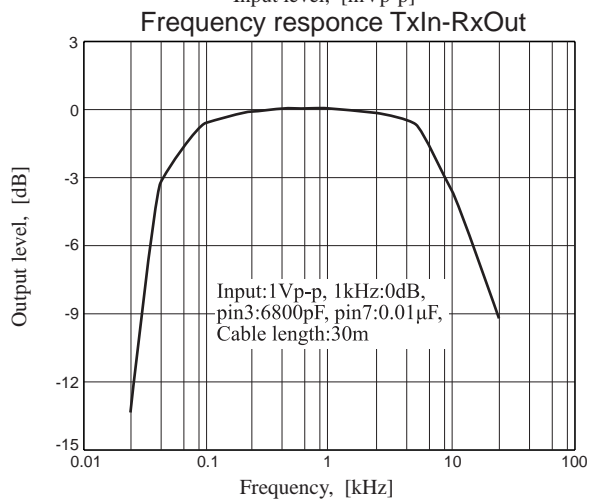
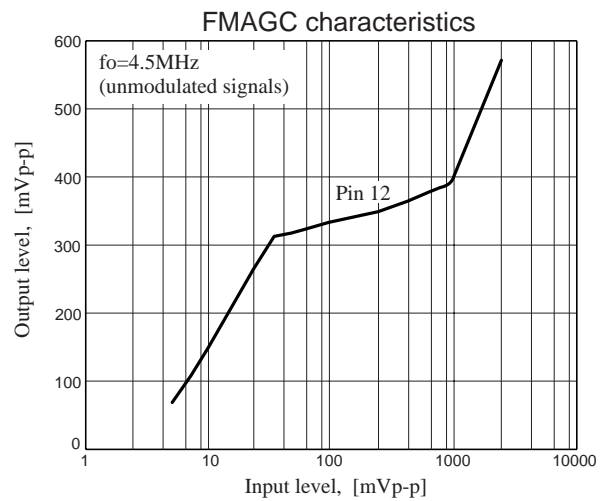
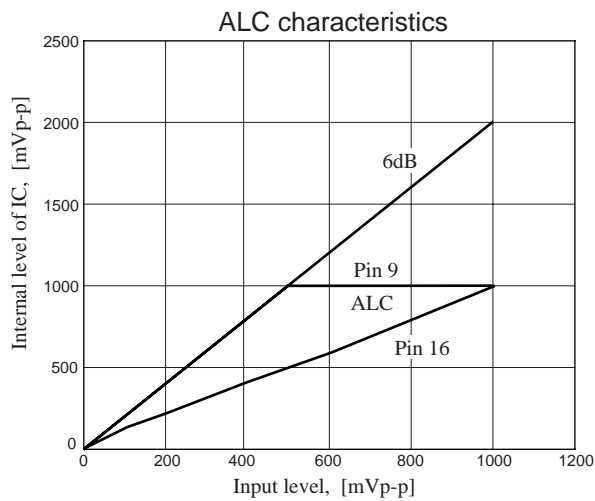
[Modulation block]

- Audio signal is input from pin16. (Internal bias is DC 2.4V.) Go through AMP (6dB)/ALC/LPF (10 kHz) and emphasis circuit, then input FM-modulation block. After FM-modulation block, go to output driver block then FM-audio signal output from pin1.
- ALC: ALC circuit work at pin16 input level over than 0.5Vp-p.
- LPF: LPF gain is -3dB at 10 kHz and -6dB/oct. Keep over modulation from emphasis characteristic.
- Emphasis circuit: The pin3 owns an Emphasis characteristic which connected capacitor. Recommended value = 6800pF.
- FM modulation: Carrier frequency is choosing from pin6 voltage. When pin16 input level is 0.5Vp-p, then FM deviation set to ±25 kHz. Internal LPF reduce harmonic spectrum.
- Output Driver: Output AC voltage is about 2.0Vp-p. (Load resistance: 1kΩ)

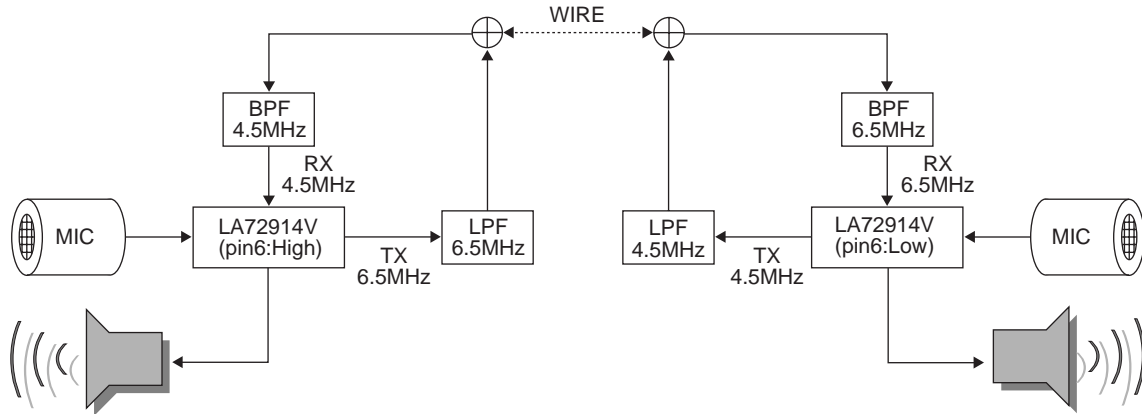
[De-modulation block]

- Demodulate audio signal from modulated audio signal.
- FM-Audio signal is input from pin5. Go through 4.5M-Trap-filter or 6.5MHz-Trap-filter and AGC go to demodulator. After demodulator go to De-emphasis circuit. After de-emphasis circuit signal is output pin7. Pin7 signal is charge to DC bias for coupling capacitor at pin8. Audio signal from pin8 go to 6dB AMP then output from pin9. (Door-phone application, there are two FM carrier. In this case we recommend add BPF before pin5 FM-Audio signal input.)
- 4.5M/6.5MHz-Trap-filter: Internal Trap-filter is change for pin6 mode control. (If modulator frequency is 4.5MHz, then internal Trap-filter is 4.5MHz.)
- AGC: After AGC level is control about 0.3Vp-p. After AGC signal go to pin12 FM-monitor and de-modulator.
- De-emphasis circuit: The pin7 owns an De-emphasis characteristic which connected capacitor. Recommended value = 10nF.
- Output signal level: If input FM signal deviation is ± 25 kHz, then output signal level is 1Vp-p (TYP) from pin9/ (Load resistance: 10k Ω at 1 kHz.)

Characteristics



Application example



[Above-mentioned recommendation BPF]

Made by Murata Mfg.: SFSKA4M50DF00 (4.5MHz)/SFSKA6M50CF00 (6.5MHz)

- SANYO Semiconductor Co.,Ltd. assumes no responsibility for equipment failures that result from using products at values that exceed, even momentarily, rated values (such as maximum ratings, operating condition ranges, or other parameters) listed in products specifications of any and all SANYO Semiconductor Co.,Ltd. products described or contained herein.
- SANYO Semiconductor Co.,Ltd. strives to supply high-quality high-reliability products, however, any and all semiconductor products fail or malfunction with some probability. It is possible that these probabilistic failures or malfunction could give rise to accidents or events that could endanger human lives, trouble that could give rise to smoke or fire, or accidents that could cause damage to other property. When designing equipment, adopt safety measures so that these kinds of accidents or events cannot occur. Such measures include but are not limited to protective circuits and error prevention circuits for safe design, redundant design, and structural design.
- In the event that any or all SANYO Semiconductor Co.,Ltd. products described or contained herein are controlled under any of applicable local export control laws and regulations, such products may require the export license from the authorities concerned in accordance with the above law.
- No part of this publication may be reproduced or transmitted in any form or by any means, electronic or mechanical, including photocopying and recording, or any information storage or retrieval system, or otherwise, without the prior written consent of SANYO Semiconductor Co.,Ltd.
- Any and all information described or contained herein are subject to change without notice due to product/technology improvement, etc. When designing equipment, refer to the "Delivery Specification" for the SANYO Semiconductor Co.,Ltd. product that you intend to use.
- Information (including circuit diagrams and circuit parameters) herein is for example only; it is not guaranteed for volume production.
- Upon using the technical information or products described herein, neither warranty nor license shall be granted with regard to intellectual property rights or any other rights of SANYO Semiconductor Co.,Ltd. or any third party. SANYO Semiconductor Co.,Ltd. shall not be liable for any claim or suits with regard to a third party's intellectual property rights which has resulted from the use of the technical information and products mentioned above.

This catalog provides information as of November, 2010. Specifications and information herein are subject to change without notice.