

Monolithic crystal filter

MQF40.048-0800/02



Application

- 4 pol filter
- i.f.- filter
- use in mobile and stationary transceivers

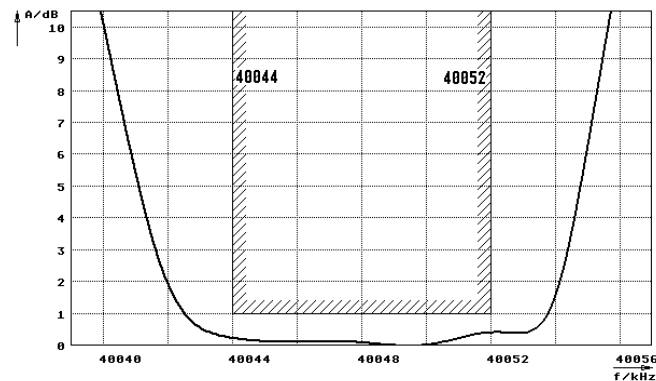
Limiting values		Unit	Value
Nominal frequency	f_0	MHz	40.048
Insertion loss		dB	< 3.0
Pass band at 1.0dB		kHz	$\pm > 4$
Ripple in pass band	$f_0 \pm 4$ kHz	dB	< 1.0
Stop band attenuation	$f_0 \pm 76$ kHz	dB	> 60
	39.942 MHz...40.0 MHz	dB	> 80
Alternate attenuation	$f_0 + 76$ kHz...250 MHz	dB	> 60
Spurious responses		dB	> 40

Terminating impedance Z			
R1 C1		Ohm/pF	50 0
R2 C2		Ohm/pF	50 0

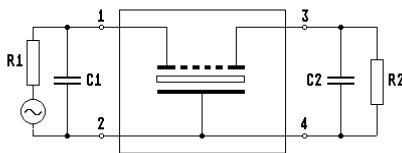
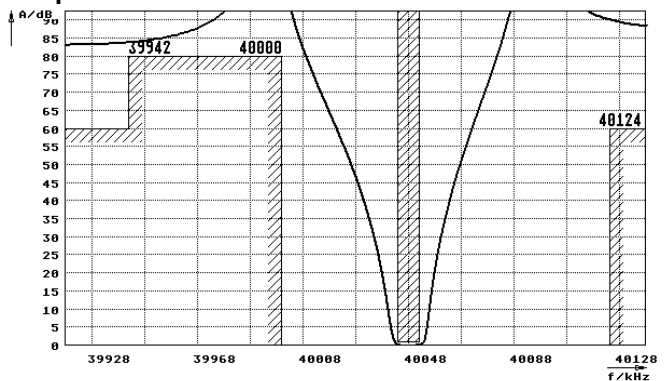
Operating temp. range		°C	-20... +70
Storage temp. range		°C	-45... +85
Environment conditions			according to CF001

Characteristics MQF40.048-0800/02

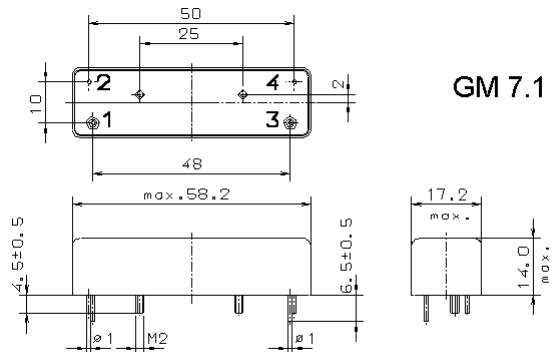
Pass band



Stop band



- Pin connections:
- 1 Input
 - 2 Ground
 - 3 Output
 - 4 Ground



RoHS compliant