

# smartModule Overview



-> see also page 20



-> see also page 21



-> see also page 22

Type	smartModule520PC	smartModuleP5PC	smartModuleP3PC
<b>CPU</b>	ELAN520	Intel® Pentium® MMX	Intel® Pentium® III / Celeron®
<b>BUS System</b>	smartBus480	smartBus480	smartBus480
<b>Expansion Interface</b>	ISA, PCI, MEMORY	ISA, PCI, MEMORY	ISA, PCI, MEMORY
<b>2nd Level Cache</b>	-	-	256kB
<b>Clock (MHz)</b>	133	166/266	300, 400, 700
<b>DRAM (MB)</b>	SODIMM 16-128	SODIMM 32-256	SODIMM 32-256
<b>Flashdisk (MB) optional</b>	2 - 8	-	-
<b>CompactFlash</b>	-	-	-
<b>PCCard Interface</b>	-	-	-
<b>Mouse, Keyboard</b>	✓	✓	✓
<b>Keypad</b>	-	-	-
<b>Floppy Interface</b>	✓	✓	✓
<b>IDE Interface</b>	✓ PCI	✓ PCI	✓ PCI
<b>COM1</b>	TTL	TTL	TTL
<b>COM2</b>	TTL	TTL	TTL
<b>COM3</b>	-	-	-
<b>COM4</b>	-	-	-
<b>LPT1</b>	✓	✓	✓
<b>IrDA</b>	external	external	external
<b>USB</b>	2	2	2
<b>LAN</b>	optional (PCX)	-	-
<b>Video Controller</b>	ATI M1	SXGA 69000	ATI M1
<b>Video Datapath</b>	PCI	PCI	PCI
<b>Video Memory</b>	8 MB	2 MB	8 MB
<b>LCD Interface</b>	24 Bit TFT 3V	36 Bit TFT 3V	24 Bit TFT 3V
<b>LCD Resolution</b>	1280 x 1024 x 256	1280 x 1024 x 256	1280 x 1024 x 256
<b>Audio</b>	-	-	-
<b>EEPROM Support</b>	✓	✓	✓
<b>Watchdog</b>	✓	✓	✓
<b>Power Normal</b>	5V/1,5A (typ.)	5V/1,8A (typ.@266MHz)	5V/2,5A (typ.@400MHz)
<b>Power Suspend</b>	no APM	5V/0,4A (typ.)	5V/0,5A (typ.)
<b>Cooling Type</b>	passive	passive	active
<b>Operating Temp.</b>	-25°C to +60°C	-25°C to +60°C	-25°C to +50°C
<b>Extended Temp.</b>	-40°C to +85°C	-40°C to +85°C	-40°C to +70°C
<b>Size (mm)</b>	66 x 85 x 14	66 x 85 x 14	66 x 85 x 14
<b>Weight (gr)</b>	90	90	90
<b>MTBF</b>	> 200'000h	> 200'000h	> 200'000h
<b>Embedded DOS</b>	-	-	-
<b>Operating Systems</b>	WIN-CE, WIN98, NT4, LINUX, QNX, RTXDOS	WIN-CE, WIN98, NT4, WIN2000, LINUX, QNX, RTXDOS	WIN-CE, WIN98, NT4, WIN2000, LINUX, QNX, RTXDOS
<b>Status</b>	for new designs	limited availability	for new designs / in development
<b>Ordering Guide</b>	smartModule520PC	smartModuleP5PC-166 smartModuleP5PC-266	smartModuleP3PC-300C smartModuleP3PC-400/-400C smartModuleP3PC-700
<b>Development-Kit</b>	SMxxPC-DK	SMxxPC-DK	SMxxPC-DK



Änderungen vorbehalten / Subject to change!

## Beschreibung

Mit dem smartModule SMP5PC bietet DIGITAL-LOGIC ein auf Pentium® MMX-basierendes PC-Modul nach dem PC/480-Standard. Alle Peripherie-Schnittstellen inkl. USB, VGA werden über den smartBus480 in die kundenspezifische Umgebung integriert. Die geringe Leistungsaufnahme und das flache Modulgehäuse vereinfachen das Kühlkonzept.

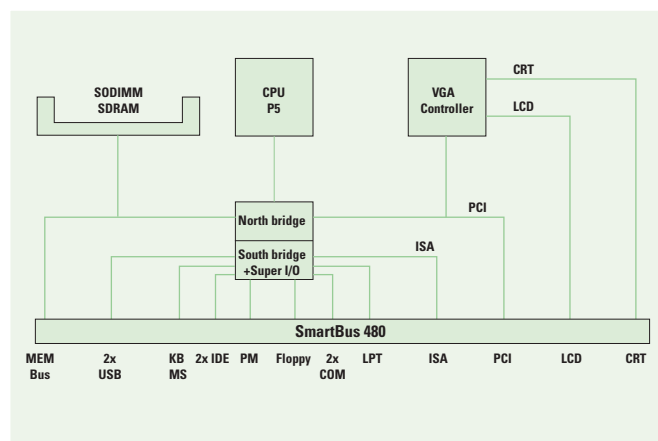
## Description

With the smartModule SMP5PC, based on the Pentium® MMX, DIGITAL-LOGIC offers a PC-module according to the PC/480-standard. All PC-interfaces incl. USB, VGA can be integrated via the smartBus480 into a custom specific application. Due to the minimal power consumption and flat housing, a reliable cooling-concept can be easy implemented.

## Technical Data

Size	smartBus480
CPU	Intel® Pentium® MMX
Performance	166, 266MHz
2L-Cache	-
DRAM	SODIMM 32-256 MB
Bootable Flash	-
CompactFlash	-
PCCard	-
Keyboard	✓
BootDrive	FD, HD, CD, USB-FD/CD
Mouse	✓
Harddisk	✓, 2x
Floppy	✓
Serial	COM1 (TTL) COM2 (TTL)
BUS	ISA, PCI
Parallel	LPT1
USB	✓
LAN	-
Video	69000, 2 MB, VGA LCD Resolution 36 Bit Level 3V
Video Input	-
EEPROM	1k
Watchdog	onboard
RTC Battery	external
Power Management	✓, S2D, ATX, APM
Supply	5V
Consumption*	400mA/1800mA (typ.@266MHz)
Size	66 x 85 x 14mm

\* sleep/normal



## Ordering Information

Article	Part No.	Description
SMP5PC-166	805060	166MHz, 0 MB RAM
SMP5PC-266	805065	266MHz, 0 MB RAM
SMP5PCN-266	805066	266MHz, 0 MB RAM, no VGA
SMxxPC-DK	805025	Development-Kit without smartModule

Option	Part No.	Description
SDRAM32M	890645	SODIMM SDRAM-Module 32 MB
SDRAM64M	890644	SODIMM SDRAM-Module 64 MB
SDRAM128M	890646	SODIMM SDRAM-Module 128 MB
SDRAM256M	890647	SODIMM SDRAM-Module 256 MB