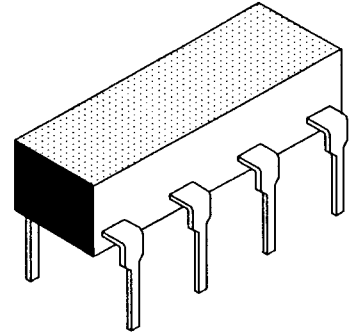


14 PIN, TRIPLE OUTPUT, TTL ACTIVES

DC Electrical Characteristics		Test Condition	Min	Max	Unit
Parameter					
V _{OH}	High-Level Output Voltage	V _{CC} =min. V _{IL} =max. I _{OH} =max	2.7		V
V _{OL}	Low Level Output Voltage	V _{CC} =min. V _{IH} =min I _{OL} =max		0.5	V
V _{IK}	Input Clamp Voltage	V _{CC} =min. I _I =-18mA		-1.2	V
I _{IH}	High-Level Input Current	V _{CC} =max. V _{IN} =2.7V		50	uA
I _{IL}	Low-Level Input Current	V _{CC} =max. V _{IN} =5.25V		1.0	mA
I _{OS}	Short Circuit Output Current	V _{CC} =max. V _{IN} =0.5V		2	mA
		V _{CC} =max. V _{OUT} =0 (One output at a time)	-40	100	mA
I _{CCH}	High-Level Supply Current	V _{CC} =max. V _{IN} =OPEN		115	mA
I _{CCL}	Low-Level Supply Current	V _{CC} =max. V _{IN} =0		115	mA
T _{RO}	Output Rise Time			4	nS
N _H	Fanout High-Level Output	V _{CC} =max. V _{OH} =2.7V		20 TTL LOAD	
N _L	Fanout Low-Level Output	V _{CC} =max. V _{OL} =0.5V		10 TTL LOAD	



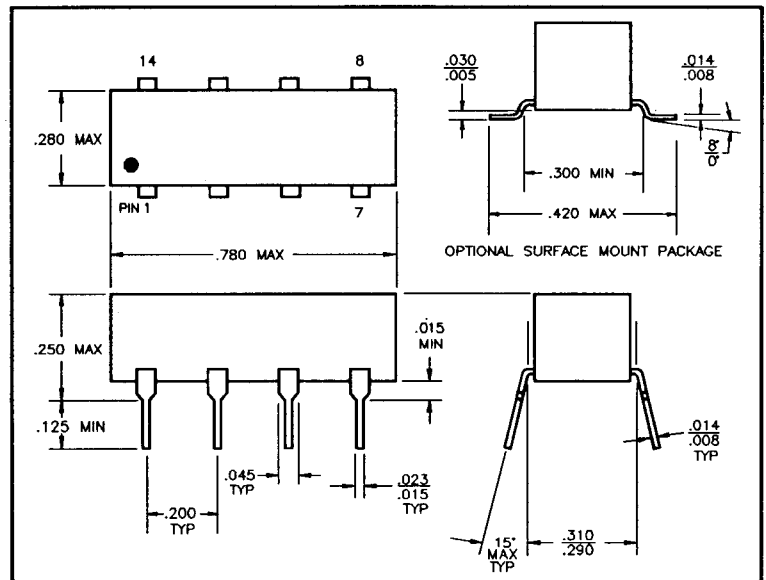
ALSO AVAILABLE IN FOLLOWING LOGIC FAMILIES

CMOS (HCT)
FAST
LSTTL

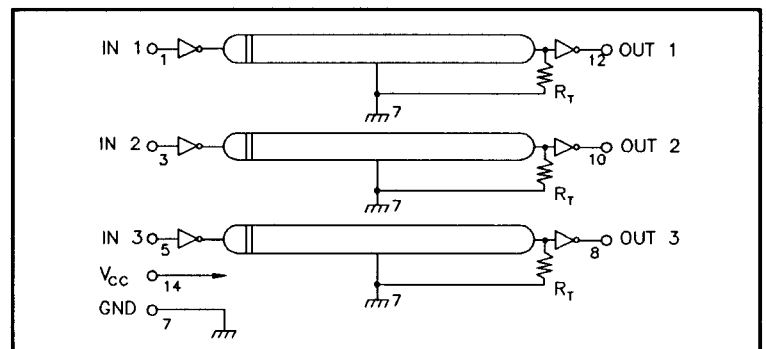
AVM-SERIES
AVF-SERIES
ALS-SERIES

Recommended Operating Conditions		Min	Max	Unit
V _{CC}	Supply Voltage	4.75	5.25	V
V _{IH}	High-level Input voltage	2.0		V
V _{IL}	Low-Level Input Voltage		0.8	V
I _{OH}	High-Level Output Current		-1.0	mA
I _{OL}	Low-Level Output Current		20	mA
PW	Pulse Width % of Total Delay	40		%
T _A	Operating Free-Air Temperature	0	+70	°C

Input Pulse Test Conditions @ 25°C		Unit
E _{IN}	Pulse Input Voltage	3.2 Volts
PW	Pulse Width % of Total Delay	110 %
TR	Pulse Rise Time(0.75 - 2.4 Volts)	2.0 nS
PRR	Pulse Repetition Rate @ T _d ≤ 200 nS	1.0 MHz
	Pulse Repetition Rate @ T _d > 200 nS	100 KHz
V _{CC}	Supply Voltage	5.0 Volts



SECTION DELAY ± 2 nS OR 5%	POLARA P/N AVJ - PINOUT
5	AVJ-0005
10	AVJ-0010
15	AVJ-0015
20	AVJ-0020
25	AVJ-0025
30	AVJ-0030
35	AVJ-0035
40	AVJ-0040
45	AVJ-0045
50	AVJ-0050
55	AVJ-0055
60	AVJ-0060
65	AVJ-0065
70	AVJ-0070
75	AVJ-0075
100	AVJ-0100
150	AVJ-0150
200	AVJ-0200
250	AVJ-0250



ADD "S" SUFFIX TO P/N, TO ORDER SURFACE MOUNT PACKAGE

* ANY VALUES NOT SHOWN, AVAILABLE UPON REQUEST.