

Product Information Bulletin

ELC

ELC / 64653 HLX

ELC-3/X

ELC-7/X

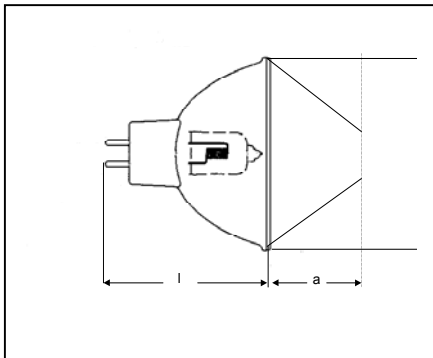
Low Voltage Tungsten Halogen Lamps with Reflector

- Full series of ELC lamps
- Dichroic coated glass reflector (MR16)
- Rugged design
- The ELC 64653 HLX, ELC-3/X and ELC-7/X use OSRAM XENOPHOT® technology (Xenon fill gas)
- New ELC-7/X lamp with 700 hrs. service life



TECHNICAL DATA

Ordering Abbreviation		ELC	ELC / 64653 HLX	ELC-3/X	ELC-7/X
Electrical Data:					
Watts	W	250	250	250	250
Voltage	V	24	24	24	24
Photometric Data:					
Screen Lumens	lm	800	800	550	475
Geometrical Data:					
Length l Max.	mm	44.83	44.5	44.83	44.83
Working Distance a	mm	31.75	35.0	31.75	31.75
Diameter d	mm	51	51	51	51
Other Data:					
Average Service Life	hrs	50	50	300	700
Color Temperature	K	3400	3400	3250	3200
Base		GX 5.3	GX 5.3	GX 5.3	GX 5.3
Bulb		T3.5	T3.5	T3.5	T3.5
Operating Position		Any	p 90/15	Any	Any



APPLICATION INFORMATION

Applications

- Overhead Projection
- Fiber-Optic
- Entertainment

WARNING

This lamp emits ultraviolet (UV) radiation and operates at high internal pressure. **Before use**, read the complete warning accompanying the product.

Disposal

When disposing of spent lamps, always consult federal, state, local and provincial hazardous waste disposal rules and regulations to ensure proper disposal.

ORDERING INFORMATION

Lamp Description	NAED Code	Standard Case Quantity
ELC	54840	24/case
ELC / 64653 HLX	54212	20/case
ELC-3 / X	54841	24/case
ELC-7 / X	54814	24/case
ELC-7 / X Bulk	54811	100/case

For Orders and
General Information:
OSRAM SYLVANIA
National Customer
Support Center
18725 N. Union Street
Westfield, IN 46074

Photo-Optic

Phone: 1-888-677-2627
Phone: 1-888-OSRAMCS
Fax: 1-800-762-7192

Special Markets

Phone: 1-800-762-7191
Fax: 1-800-762-7192

Industrial and Commercial

Phone: 1-800-255-5042
Fax: 1-800-255-5043

In Canada

OSRAM SYLVANIA LTD.

Headquarters
2001 Drew Road
Mississauga, ON L5S 1S4

Special Markets

Phone: 1-800-265-2852
Fax: 1-800-667-6772

Industrial and Commercial

Phone: 1-800-263-2852
Fax: 1-800-667-6772

Visit our website: www.sylvania.com

In North America OSRAM brand lighting
products are sold by OSRAM SYLVANIA