



12W Medical Grade Wallmount Switching Power Adapters

**MPU12A series**



2.56" x 2.16" x 1.38"

- Universal 90-264VAC Input
- UL60601-1, CSA-C22.2 No.601.1-M90
- Regulated Outputs
- 4000V Isolation
- 2 Prong Input



Model Number	Output Watts	Output Voltage	Output Amps
MPU12A-102	10	5VDC	2.0
MPU12A-103	12	6VDC	2.0
MPU12A-104	12	9VDC	1.33
MPU12A-105	12	12VDC	1.0
MPU12A-106	12	15VDC	0.8
MPU12A-107	12	18VDC	0.66
MPU12A-108	12	24VDC	0.5



12W Medical Grade Wallmount Switching Power Adapters

**MPU12A series**

**INPUT SPECIFICATIONS**

Input Voltage Range	90-264 VAC	
Frequency Range	47-63 Hz	
Input Current	Low Line (115VAC)	0.35A max.
	High Line (230VAC)	0.22A max.
Inrush Current, typ (Cold Start)	Low Line (115VAC)	16A max.
	High Line (230VAC)	30A max.
Leakage Current	<100 uA	

**OUTPUT SPECIFICATIONS**

Voltage and Current	See Selection Charts	
Output Power Range	0 to FL Rating	
Load Regulation (0-FL, 230Vin)	± 5%, max.	
Line Regulation (FL)	± 1%, max.	
Over Voltage Protection	112-132%	
Over Current Protection	110-150%	
Transient Response	100Vin, FL to 1/2L	4mS
Temperature Coefficient	±0.04%/°C, typ	
Ripple/Noise	FL, 90Vin	1% Pk-Pk max.
Short Circuit Protection	Continuous, self-recovering *	
Start Up / Hold Up Time	100Vin, FL	2S max. / 16mS min.

All specifications are typical at nominal input, full load, and 25°C unless otherwise noted

\* These are stress ratings. Exposure of the devices to any of these conditions may adversely affect long term reliability. Proper operation under conditions other than the standard operating conditions is neither warranted nor implied.

**WWW.ASTRODYNE.COM**

**GENERAL SPECIFICATIONS**

Input-Out Isolation	4000 VAC	
Efficiency	(FL, 230Vin)	72%, typ
Safety	UL60601-1, CSA-22.2 No601.1-M90	

**PHYSICAL SPECIFICATIONS**

Size	2.56" x 2.16" x 1.38" (65x55x35mm)	
Construction	Wallmount Style	
Weight	5.64oz (160g)	

**ENVIRONMENTAL SPECIFICATIONS**

Oper. Temperature	0 to +40°C (FL) *	
	50% Load @ 70°C (See Derate Curve Next Page)	
Storage Temperature	-40 to +85°C *	
Relative Humidity	5% to 95%, non-cond *	
EMC	120Vin:	FCC Part 15 Class B
	230Vin:	CISPR-22 Class B
MTBF	100,000 Hrs	

**Astrodyne products are not authorized or warranted for use as critical components in life support systems, equipment used in hazardous environments, nuclear controls systems, or other mission-critical applications.**

**ASTRODYNE USA: 1-800-823-8082  
ASTRODYNE PACIFIC: 886-2-26983458  
ASTRODYNE EUROPE: 353 51 561060**

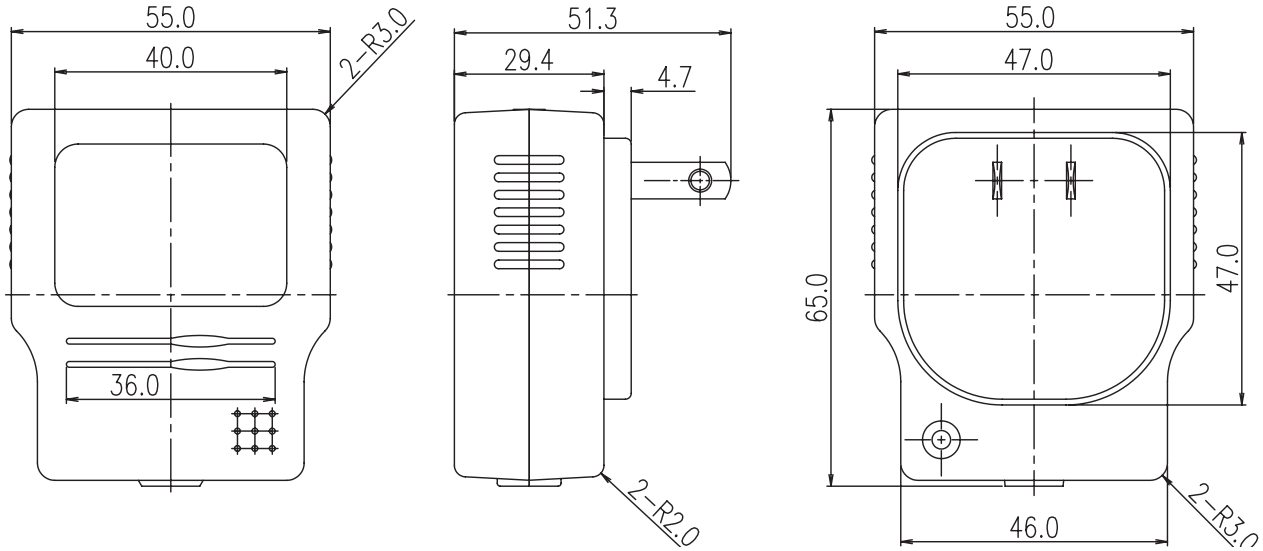


12W Medical Grade Wallmount Switching Power Adapters

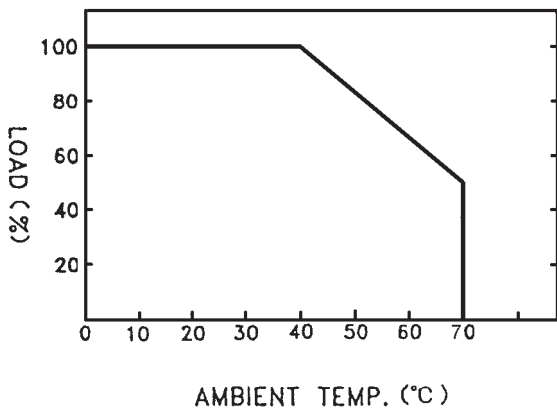
**MPU12A series**

**MECHANICAL DIMENSIONS**

Dimensions Are In mm.



**DERATE CURVE**



**DC OUTPUT CONNECTIONS**

Coaxial Plug: -Vout  +Vout

5.5mm outer diameter  
 2.1mm inner diameter, female  
 11mm length, center "+"