

PLEASE CHECK WWW.MOLEX.COM FOR LATEST PART INFORMATION

Part Number: [0512382014](#)
Status: **Active**
Description: CRC™ Shielded Rectangular I/O Receptacle Housing for Female Terminal, Signal, 20 Circuits, Polarization Type C, Polarization Position C-3

Documents:

[Drawing \(PDF\)](#) [Product Specification PS-51238-018 \(PDF\)](#)
[Product Specification PS-51238-010 \(PDF\)](#) [RoHS Certificate of Compliance \(PDF\)](#)

Agency Certification

CSA	LR19980
TUV	R72081037
UL	E29179

General

Product Family	I/O Connectors
Series	51238
Application	Panel-Mount, Wire-to-Wire
Component Type	Housing
Product Name	CRC™
Type	N/A

Physical

Boot Color	N/A
Circuits (Loaded)	N/A
Circuits (maximum)	20
Color - Resin	Black
Durability (mating cycles max)	100
Flammability	94V-0
Gender	Receptacle
Keying to Mating Part	Yes
Lock to Mating Part	Yes
Material - Metal	Stainless Steel
Material - Plating Mating	n/a
Material - Resin	Polyester
Number of Rows	5
Orientation	Vertical
PCB Locator	No
Packaging Type	Tray
Panel Mount	Front, Rear
Pitch - Mating Interface (in)	0.118 In
Pitch - Mating Interface (mm)	3.00 mm
Pitch - Term. Interface (in)	0.118 In
Pitch - Term. Interface (mm)	3.00 mm
Polarized to Mating Part	Yes
Polarized to PCB	N/A
Ports	1
Surface Mount Compatible (SMC)	N/A
Temperature Range - Operating	-40°C to +105°C
Termination Interface: Style	N/A
Waterproof / Dustproof	No

Electrical

Current - Maximum per Contact	1A, 2A, 3.5A, 3A
Shielded	No
Voltage - Maximum	250V AC (RMS)/DC



image - Reference only

EU RoHS

ELV and RoHS Compliant
REACH SVHC Contains SVHC: No
Halogen-Free Status
Not Reviewed

China RoHS



Need more information on product environmental compliance?

Email productcompliance@molex.com
 For a multiple part number RoHS Certificate of Compliance, [click here](#)

Please visit the [Contact Us](#) section for any non-product compliance questions.

Search Parts in this Series

51238Series

Mates With

51234-200X plug housing|55836-200X plug assembly set

Use With

56377-200* receptacle shell|56120 and 56121 female terminal

Material Info

Reference - Drawing Numbers

Product Specification

Sales Drawing

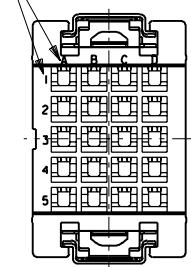
PS-51238-010, PS-51238-018, RPS-51238-001

SD-51238-008

This document was generated on 04/12/2010

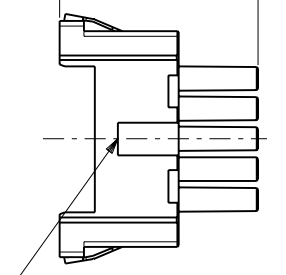
PLEASE CHECK WWW.MOLEX.COM FOR LATEST PART INFORMATION

回路番号表示
CKT.No.IDENTIFICATION

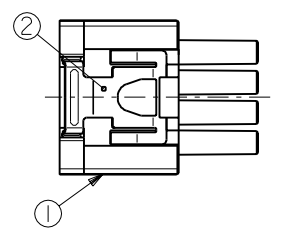


電線挿入側
WIRE SIDE

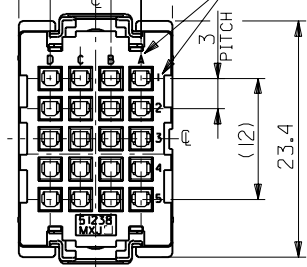
19.7



シエル挿入方向キー
POLARIZATIONS KEY FOR SHELL

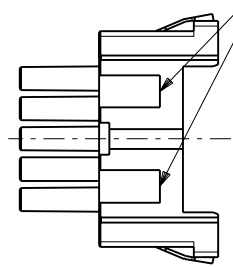


15.2
(9)
3 PITCH
回路番号表示
CKT.No.IDENTIFICATION
3 PITCH
(12)
23.4



嵌合側
MATING SIDE

シエル挿入方向キー
POLARIZATIONS KEY FOR SHELL



注記
NOTES

- 材質
MATERIAL
①ハウジング：ガラス入りPBT樹脂
HOUSING : PBT G.F.
UL94V-0 色：黒
UL94V-0 COLOR : BLACK
②スプリング：ステンレス鋼 t0.3
SPRING : STAINLESS STEEL t0.3
- 適用端子：56120-8*90 , 56121-8*90
APPLICABLE CRIMP PIN : 56120-8*90 , 56121-8*90
- 適用リセプタクル シェル：56377-20**
APPLICABLE RECEPTACLE SHELL : 56377-20**
- 嵌合相手：51234-200*
MEET WITH : 51234-200*

<誤嵌合防止キー(極性)タイプ> <POLARITY KEY TYPE>

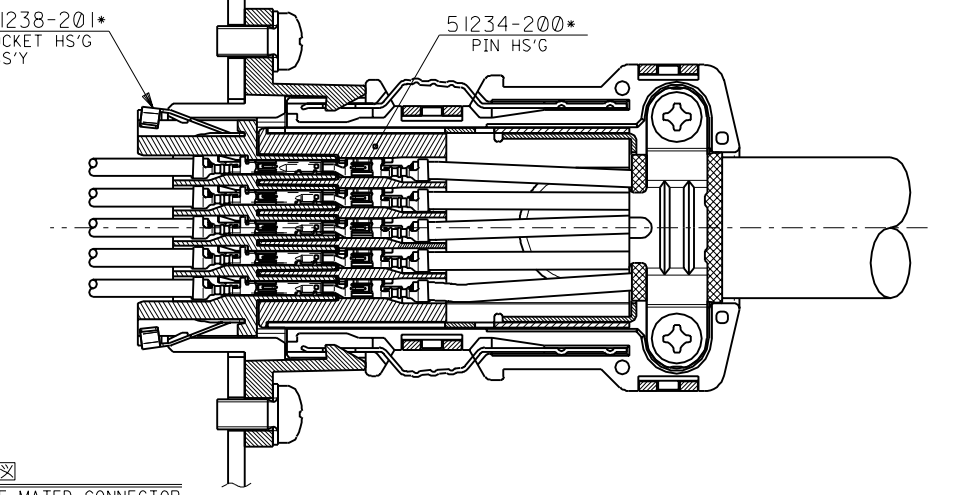
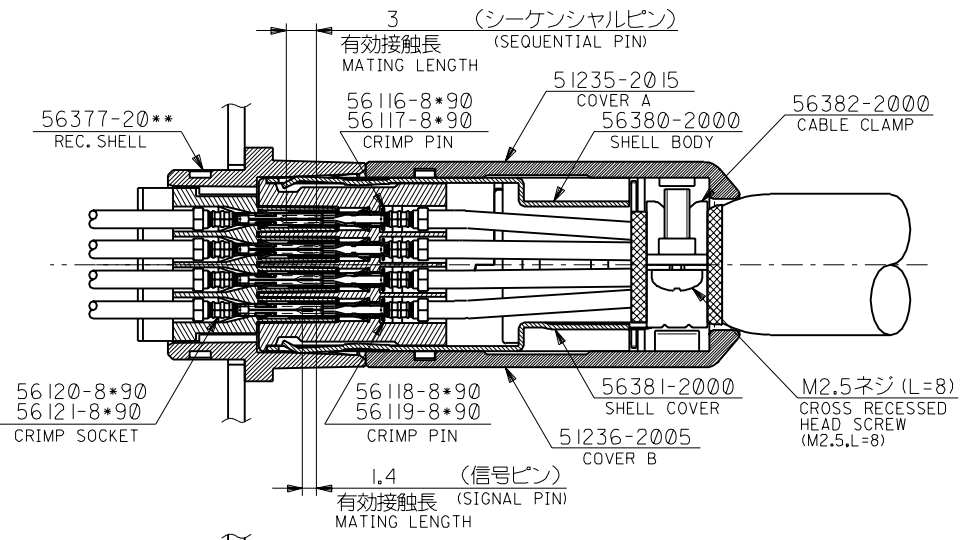
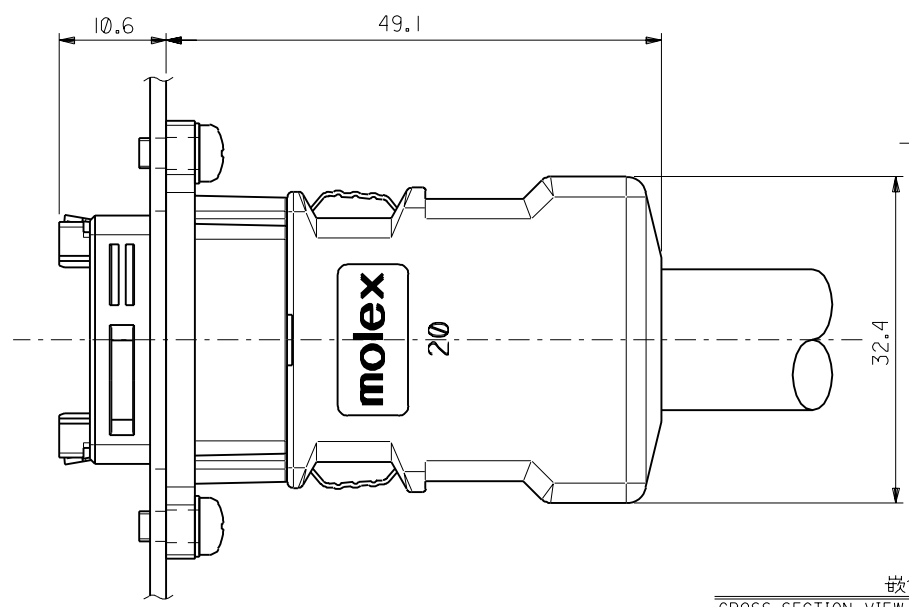
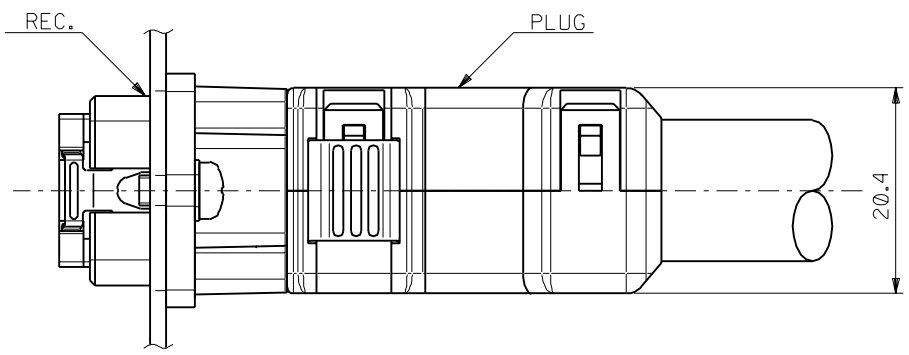
51238-2011	51238-2012	51238-2013	51238-2014	51238-2015
STANDARD TYPE	A TYPE	B TYPE	C TYPE	D TYPE

C-4	D	51238-2015	51238-***1*	20
C-3	C	51238-2014		
B-3	B	51238-2013		
B-2	A	51238-2012		
—	STANDARD	51238-2011		
POLARITY POSITION (CIRCUIT No.)	POLARITY TYPE	MATERIAL No.	MODEL No.	CIRCUIT

DO NOT SCALE DRAWING

EC NO. DRWN: CHK: APPR:	EC NO. DRWN: CHK: APPR:	EC NO. DRWN: CHK: APPR:	REVISED 01/10/04 EC NO. J2002-0786 DRWN: S.AKIYAMA CHK: J.MIYAZAWA APPR: YO.ITO	RELEASED 01/02/16 EC NO. JD2001-1040 DRWN: S.AKIYAMA CHK: J.MIYAZAWA APPR: H.IKESUGI	DESCRIPTION MATERIAL 材料 FINISH 仕上げ WIRE RANGE 適用電線範囲 INS. RANGE 被覆外径	注記参照 SEE NOTES —	GENERAL TOLERANCES: (UNLESS SPECIFIED) 一般公差 10 UNDER 未満 ±0.2 10 OVER 以上 30 UNDER 未満 ±0.25 30 OVER 以上 ±0.3 ANGLE 角度 ±3°	SCALE 2-1 DESIGN UNITS mm INCH THIRD ANGLE PROJECTION	TITLE: COMPACT ROBOT CONN. (CRC) REC. SOCKET HS'G ASS'Y MOLEX MOLEX INCORPORATED	MATERIAL NO. SD-51238-008	SHEET NO. 1 OF 4
----------------------------------	----------------------------------	----------------------------------	---	--	--	------------------------	--	--	---	------------------------------	---------------------

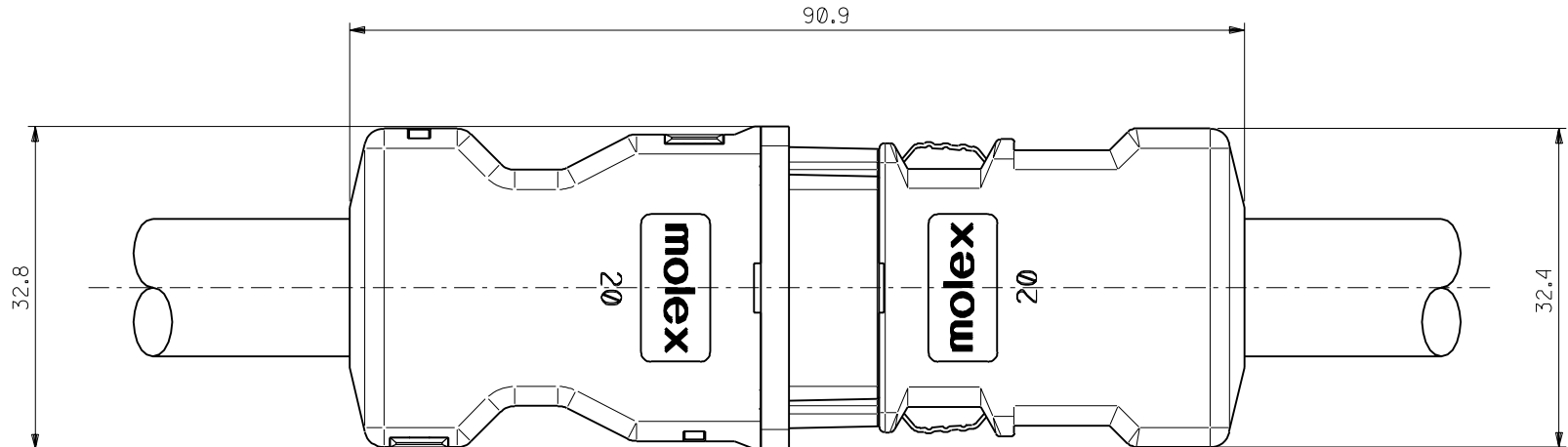
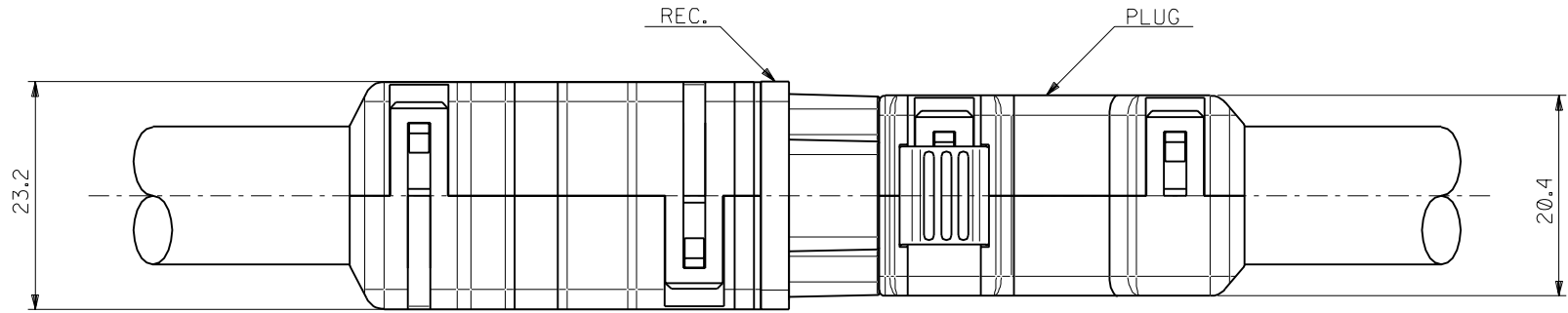
DWG. NO.
SD-51238-008



嵌合図
CROSS-SECTION VIEW OF MATED CONNECTOR

DO NOT SCALE DRAWING

EC NO. DRWN: CHK: APPR:	EC NO. DRWN: CHK: APPR:	EC NO. DRWN: CHK: APPR:	REVISED 01/10/04	MATERIAL 材料	GENERAL TOLERANCES: (UNLESS SPECIFIED) 一般公差	SCALE 2-1	DESIGN UNITS mm □ mm □ INCH	THIRD ANGLE PROJECTION	DIMENSIONS: mm □ mm □ INCH □ INCH	SHT	REV
			EC NO. J2002-0786 DRWN: S.AKIYAMA CHK: J.MIYAZAWA APPR: YO.ITO								
A	0	0	RELEASED 01/02/16	FINISH 仕上げ	30 UNDER 未満	±0.25	CHECKED BY & DATE <i>J. Mizuno</i> 7/24/06	MATERIAL NO. SEE CHART	DRAWING NO. SD-51238-008	2 OF 4	REVISION ON CAD ONLY
			EC NO. JD2001-1040 DRWN: S.AKIYAMA CHK: J.MIYAZAWA APPR: H.IKESUGI								
				INS. RANGE 被覆外径	30 OVER 以上	±0.3	ANGLE 角度	±3°	THIS DRAWING CONTAINS INFORMATION THAT IS PROPRIETARY TO MOLEX INCORPORATED AND SHOULD NOT BE USED WITHOUT WRITTEN PERMISSION.		SIZE B



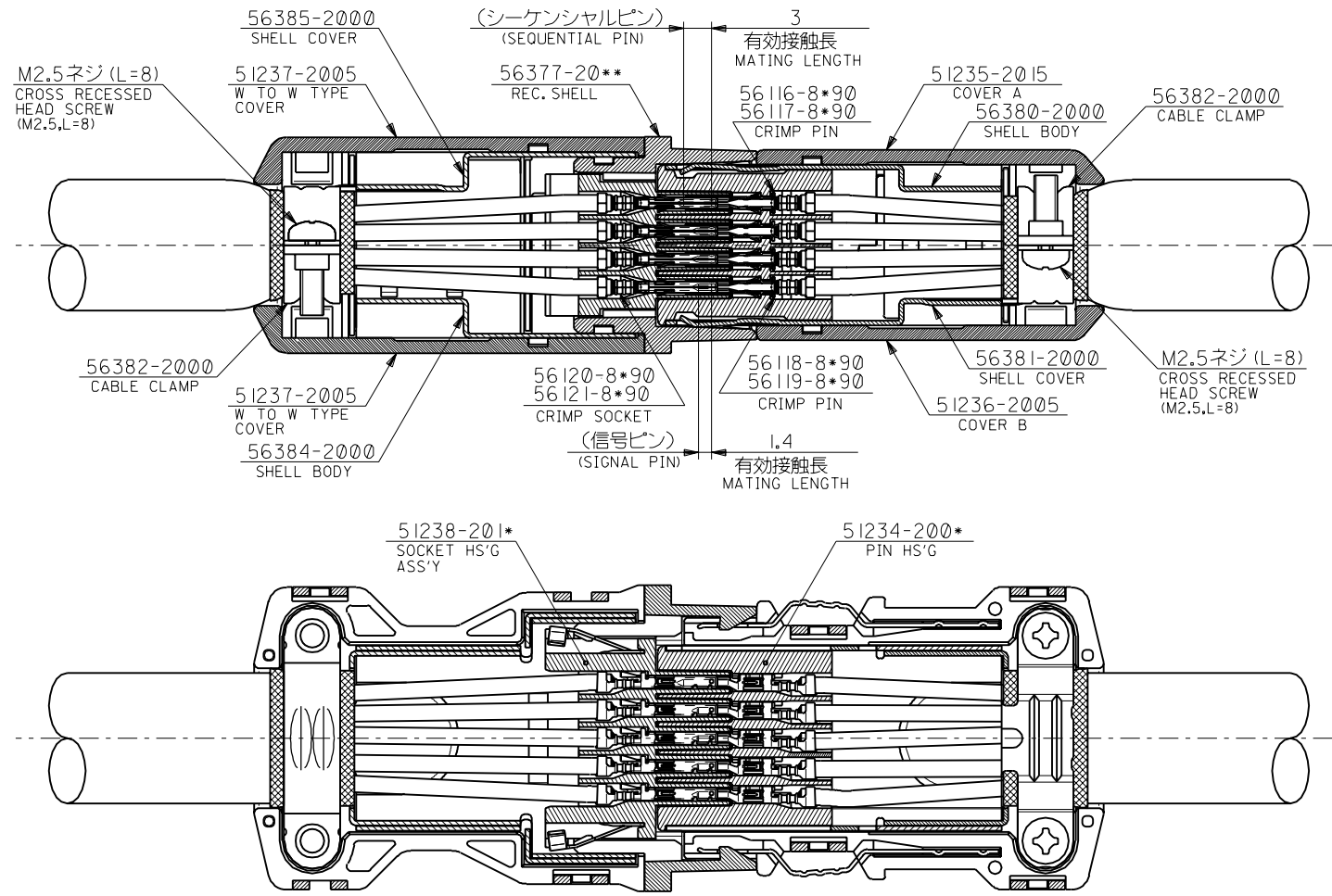
嵌合図 (中継タイプ)
CROSS-SECTION VIEW OF MATED CONNECTOR
(WIRE TO WIRE TYPE)

DO NOT SCALE DRAWING

EC NO. DRWN: CHK: APPR:	EC NO. DRWN: CHK: APPR:	EC NO. DRWN: CHK: APPR:	REVISED 01/10/04	MATERIAL 材料	GENERAL TOLERANCES: (UNLESS SPECIFIED) 一般公差	SCALE	DESIGN UNITS	THIRD ANGLE PROJECTION	DIMENSIONS:		SHT	REV
			EC NO. J2002-0786			注記参照 SEE NOTES	2-1		mm <input checked="" type="checkbox"/> INCH <input type="checkbox"/>	<input type="checkbox"/> mm <input type="checkbox"/> INCH	<input checked="" type="checkbox"/> mm ONLY	REVISION
A	0	0	DRWN: S.AKIYAMA	FINISH 仕上げ	10 UNDER	CHECKED BY & DATE	TITLE:	COMPACT ROBOT CONN. (CRC) REC. SOCKET HS'G ASS'Y				
			CHK: J.MIYAZAWA		30 UNDER							
A	0	0	APPR: YO.ITO	WIRE RANGE 適用電線範囲	30 OVER	APPROVED BY & DATE	MOLEX INCORPORATED					
			DRWN: S.AKIYAMA		30 OVER							01/25
A	0	0	APPR: H.IKESUGI	INS. RANGE 被覆外径	ANGLE	CAD FILENAME	MATERIAL NO.	DRAWING NO.	SHEET NO.			
			DRWN: S.AKIYAMA		3°		51238008.S03	SEE CHART	SD-51238-008	3 OF 4		
THIS DRAWING CONTAINS INFORMATION THAT IS PROPRIETARY TO MOLEX INCORPORATED AND SHOULD NOT BE USED WITHOUT WRITTEN PERMISSION.												SIZE B

51238008.S03

DWG. NO. SD-51233-008



嵌合図 (中継タイプ)
 CROSS-SECTION VIEW OF MATED CONNECTOR
 (WIRE TO WIRE TYPE)

DO NOT SCALE DRAWING

EC NO. DRWN: CHK: APPR:	EC NO. DRWN: CHK: APPR:	EC NO. DRWN: CHK: APPR:	REVISED 01/10/04	MATERIAL 材料	GENERAL TOLERANCES: (UNLESS SPECIFIED) 一般公差	SCALE 2-1	DESIGN UNITS mm □ INCH	THIRD ANGLE PROJECTION	DIMENSIONS: □ mm □ INCH ☒ mm ONLY	SHT REVISE ON CAD ONLY	REV
			EC NO. J2002-0786 DRWN: S.AKIYAMA CHK: J.MIYAZAWA APPR: Y.O.IITO								
A	0	0	RELEASED 01/02/16	FINISH 仕上げ	10 OVER 以上	30 UNDER 未滿	±0.25	DRAWN BY & DATE S. Akiyama 01/01/25	MATERIAL NO. SEE CHART	DRAWING NO. SD-51238-008	SHEET NO. 4 OF 4
			EC NO. JD2001-1040 DRWN: S.AKIYAMA CHK: J.MIYAZAWA APPR: H.IKESUGI								
				WIRE RANGE 適用電線範囲	—	ANGLE 角度	±3°	CAD FILE NAME 51238008.S04	THIS DRAWING CONTAINS INFORMATION THAT IS PROPRIETARY TO MOLEX INCORPORATED AND SHOULD NOT BE USED WITHOUT WRITTEN PERMISSION.		

51238008.S04