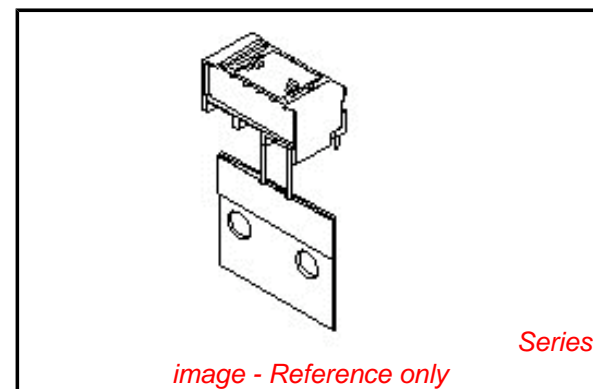


PLEASE CHECK WWW.MOLEX.COM FOR LATEST PART INFORMATION

Part Number: [0534260890](#)
Status: **Active**
Overview: [minilock](#)
Description: 2.50mm (.098") Pitch Mini-Lock™ Wire-to-Board Header, Right Angle, Friction and Positive Lock, Radial Tape Packaging, 8 Circuits, Lead-free

Documents:

3D Model	Product Specification PS-51103-007 (PDF)
Drawing (PDF)	Product Specification PS-51163-001 (PDF)
Product Specification PS-51102-002 (PDF)	Product Specification PS-51163-002 (PDF)
Product Specification PS-51103-005 (PDF)	RoHS Certificate of Compliance (PDF)



Agency Certification

CSA	LR19980
TUV	R72081037
UL	E29179

General

Product Family	PCB Headers
Series	53426
Application	Wire-to-Board
Overview	minilock
Product Name	Mini-Lock™

Physical

Breakaway	No
Circuits (Loaded)	8
Circuits (maximum)	8
Color - Resin	White
Durability (mating cycles max)	30
Flammability	94V-0
Glow-Wire Compliant	No
Keying to Mating Part	Yes
Lock to Mating Part	Yes
Material - Metal	Phosphor Bronze
Material - Plating Mating	Tin
Material - Plating Termination	Tin
Number of Rows	1
Orientation	Right Angle
PC Tail Length (in)	0.110 In
PC Tail Length (mm)	2.80 mm
PCB Locator	Yes
PCB Retention	Yes
PCB Thickness Recommended (in)	0.062 In
PCB Thickness Recommended (mm)	1.60 mm
Packaging Type	Radial Tape
Pitch - Mating Interface (in)	0.098 In
Pitch - Mating Interface (mm)	2.50 mm
Polarized to PCB	No
Shrouded	Fully
Stackable	No
Surface Mount Compatible (SMC)	No
Temperature Range - Operating	-40°C to +105°C
Termination Interface: Style	Through Hole

Electrical

EU RoHS

ELV and RoHS Compliant
REACH SVHC Contains SVHC: No
Halogen-Free Status
Not Reviewed

China RoHS



Need more information on product environmental compliance?

Email productcompliance@molex.com
 For a multiple part number RoHS Certificate of Compliance, [click here](#)

Please visit the [Contact Us](#) section for any non-product compliance questions.

Search Parts in this Series

[53426Series](#)

Mates With

[51102](#) Housing with Friction Lock. [51103](#) Housing with Positive Lock. [51163](#) , [51164](#) Housing with Positive Lock and Retainer. [50351](#) Crimp Terminal. [50752](#) Crimp Terminal

Current - Maximum per Contact
Voltage - Maximum

3A
250V

Material Info

Reference - Drawing Numbers

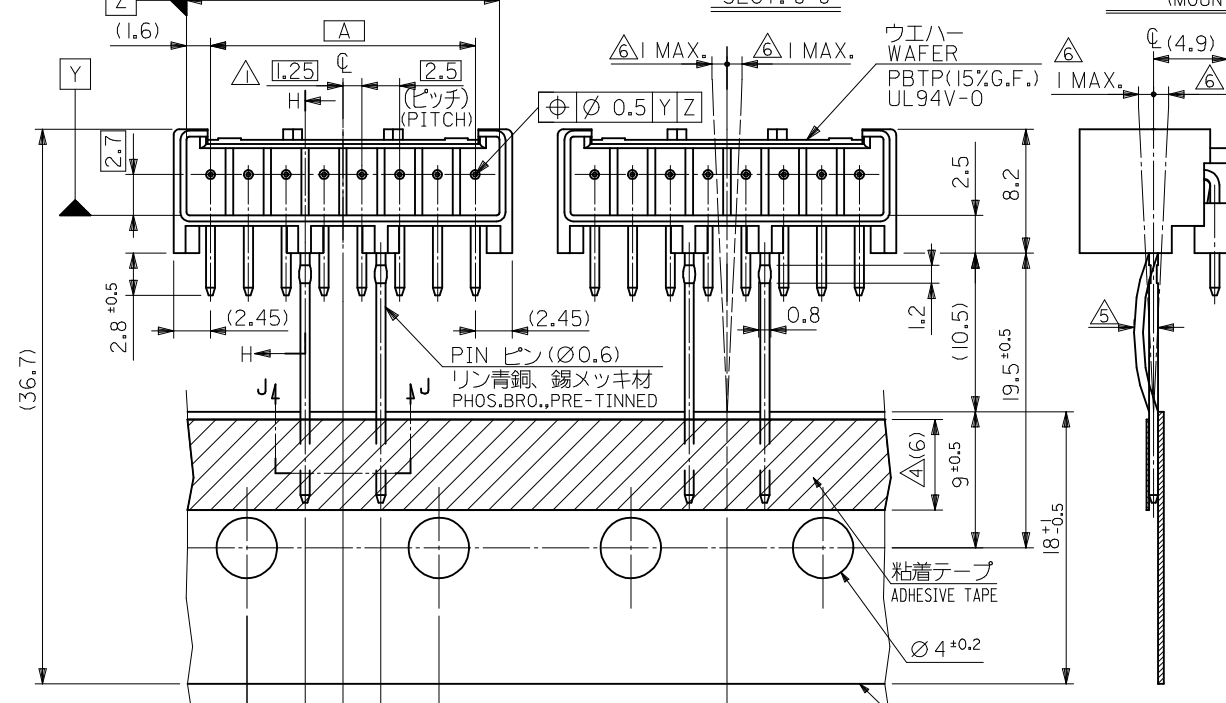
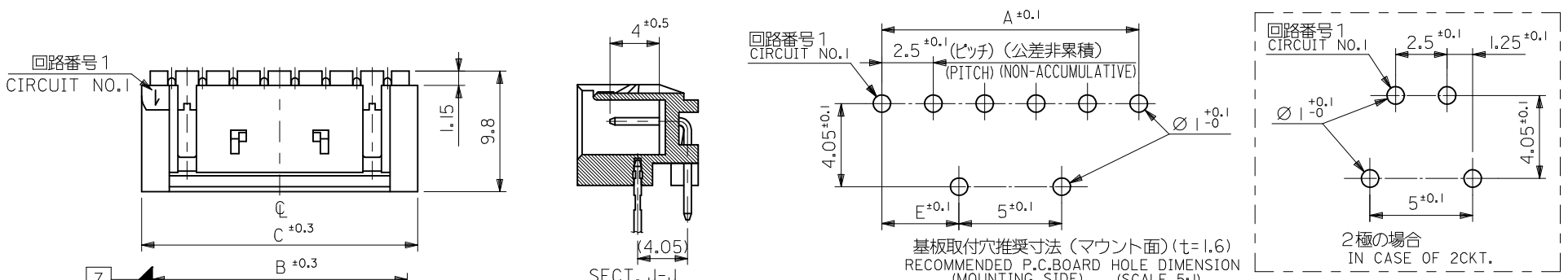
Packaging Specification
Product Specification

SPK-53426-001
PS-51102-002, PS-51103-005, PS-51103-007,
PS-51163-001, PS-51163-002, RPS-51103-010,
RPS-51103-011, RPS-51103-022, RPS-51103-032,
RPS-51103-033, RPS-51103-039, RPS-51103-041,
RPS-51103-047, RPS-51103-050, RPS-51103-056,
RPS-51103-057, RPS-51163-002
SD-53426-002

Sales Drawing

This document was generated on 05/25/2010

PLEASE CHECK WWW.MOLEX.COM FOR LATEST PART INFORMATION



- 注記 NOTES**
- △1 偶数極品に適用。 APPLIES ONLY TO EVEN NO. CKT. SIZES.
 - 2. 嵌合相手：51102,51103 シリーズ MATES WITH:51102,51103 SERIES.
 - △3 累積ピッチの許容差は、20ピッチで ±1.0mm とする。 ACCUMULATED TOLERANCE IS TO BE ±1.0mm PER 20 PITCH.
 - △4 粘着テープは、台紙からはみ出さないこと。 THE ADHESIVE TAPE SHOULD NOT BE PROTRUDED FROM THE BASE TAPE.
 - △5 リード線の曲がりの許容差は 1mm MAX. とする。 CAMBER OF THE LEADS : 1mm MAX.
 - △6 測定位置は、コネクタの先端とする。 INCLINED POSITION FROM THE CENTER-LINE, SHOULD BE 1mm MAX. MEASURING SHOULD BE DONE, USING THE TOP OF BASE TAPE AS DATUM.
 - △7 測定位置は、台紙の上端としリード線の中心線との間隔とする。 DIM. 3.85 AND DIM. 5 SHOULD BE MEASURED ON THE TOP OF BASE TAPE. DIMENSIONS ARE A SPACING BETWEEN THE CENTER-LINES.

300	6.25	25.4	22.4	20.7	17.5	53426-0890	8
	5	↑	19.9	18.2	15	↑	-0790 7
	3.75	↓	17.4	15.7	12.5	↓	-0690 6
	2.5	↓	14.9	13.2	10	↓	-0590 5
700	1.25	25.4	12.4	10.7	7.5	↓	-0490 4
	0	12.7	9.9	8.2	5	↓	-0390 3
	—	12.7	7.4	5.7	2.5	53426-0290	2
包装数量/箱 QTY/CARTON	E	D	C	B	A	MATERIAL NO. 極数 NO. OF	MODEL NO. 53426-xx9x (xx, 0)

注記 NOTES
 8. 製品型番の下1桁は色を表す。
 LAST DIGIT OF PART NUMBER INDICATES COLOR.
 O : 白 WHITE

GENERAL TOLERANCES (UNLESS SPECIFIED)	
10 UNDER	±0.2
10 OVER 30 UNDER	±0.25
30 OVER	±0.3
ANGULAR	±3 °
DRAFT WHERE APPLICABLE MUST REMAIN WITHIN DIMENSIONS	

MOLEX INCORPORATED

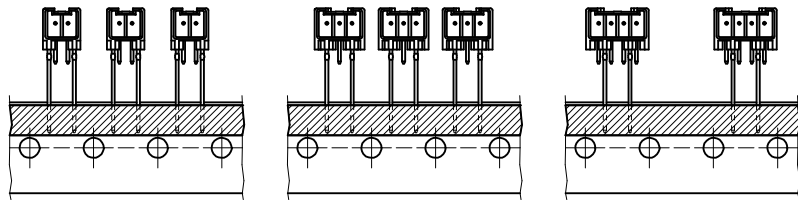
2.5 W/B CONN WAFER ASSY
 R/A RADIAL TAPING
 -LEAD FREE-

SCALE: 3:1 DESIGN UNITS: METRIC THIRD ANGLE PROJECTION

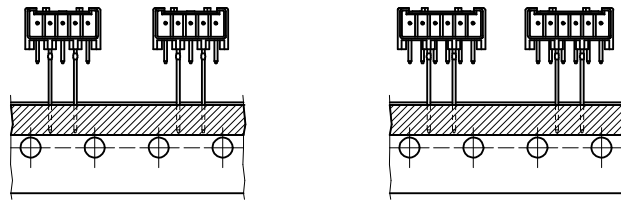
DRAWN BY: K. TOJO DATE: 1993/05/24
 CHECKED BY: K. ASAKAWA DATE: 2001/11/13
 APPROVED BY: T. YAMAGUCHI DATE: 2001/11/13

MATERIAL NO.: SEE TABLE DOCUMENT NO.: SD-53426-002 SHEET NO.: 1 OF 2

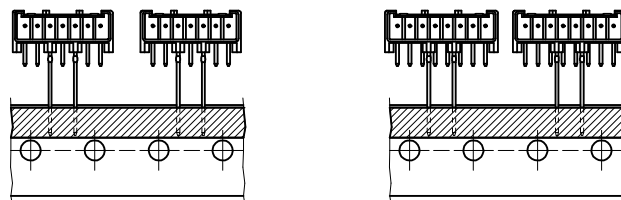
SIZE: A3 THIS DRAWING CONTAINS INFORMATION THAT IS PROPRIETARY TO MOLEX INCORPORATED AND SHOULD NOT BE USED WITHOUT WRITTEN PERMISSION



(2 極) (2 CKT.) (3 極) (3 CKT.) (4 極) (4 CKT.)

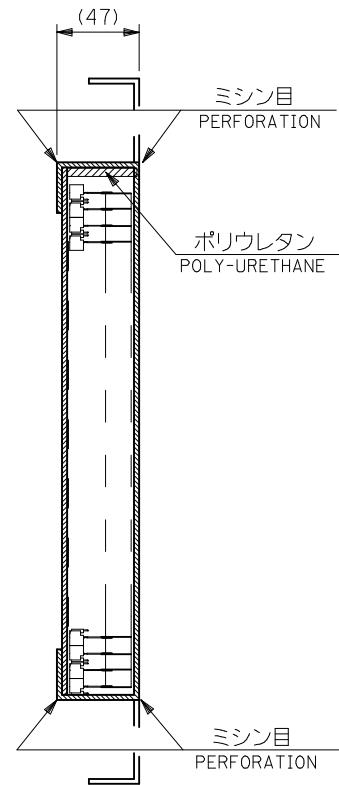
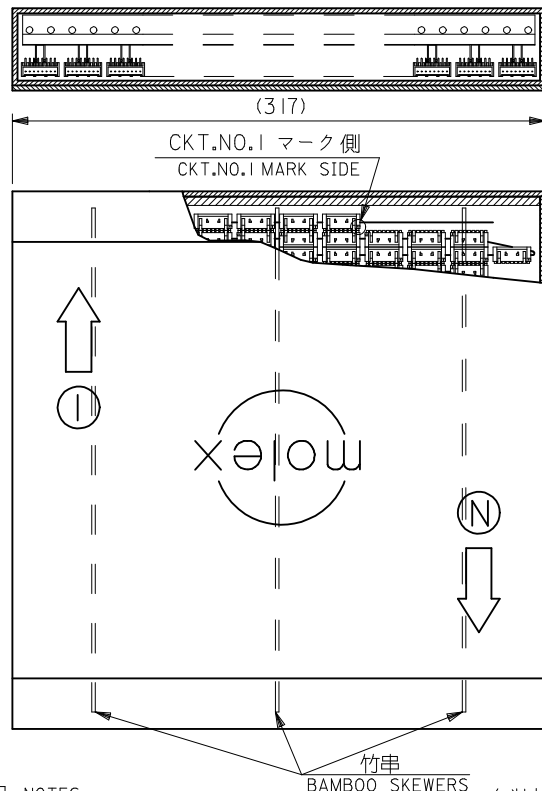
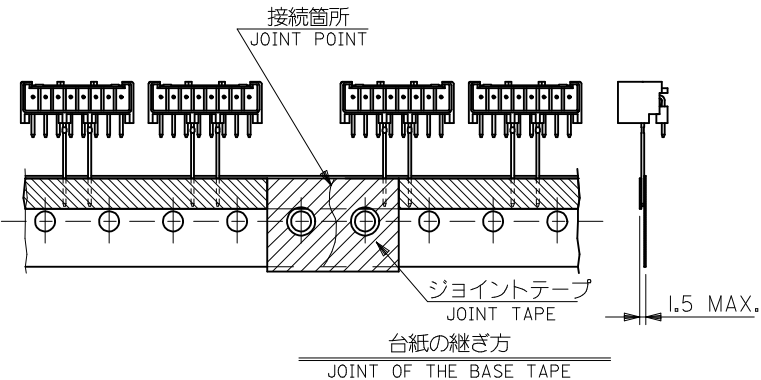


(5 極) (5 CKT.) (6 極) (6 CKT.)



(7 極) (7 CKT.) (8 極) (8 CKT.)

極数別テーピング状態図
CKT. TAPING FORM



注記 NOTES

- 包装形態はつづら折りで箱詰め。
RADIAL TAPE IS FOLDED AND PILED IN THE CARTON.
- テーピングの両端には、5個以上の送り穴を設けること。
BOTH ENDS OF TAPING, MORE THAN 5 FEEDING HOLES SHOULD BE PROVIDED.
- コネクタの欠落数は、D寸法 (SHEET 1 OF 2 参照) が12.7の場合連続3個まで、25.4の場合1個とする。(折り目ごとの1個抜きも含む)
ALLOWABLE NUMBERS OF CONSECUTIVE MISSING CONNECTORS:
FOR CONNECTORS WHERE D=12.7,=3(REFER TO SHEET 1 OF 2)
FOR CONNECTORS WHERE D=25.4,=1
- 台紙の継ぎ目のずれは、いかなる方向からも±0.3以内とする。
MISMATCHED JOINT OF THE BASE TAPE SHOULD BE KEPT WITHIN ±0.3mm IN EVERY DIRECTIONS.
- 図中以外の項目は、日本工業規格 JIS C0805 * 電子部品のテーピング * を適用。
ITEMS UNLESS OTHERWISE SPECIFIED, JIS C 0805 (TAPING OF ELECTRONIC COMPONENTS) SHOULD BE APPLIED.

REVISED EC NO: J2009-0576 DRAWN: MAKURAA 2008/12/16 CHKD: T. HARUYAMA 2008/12/16 APPR: NUKITA 2009/01/19	GENERAL TOLERANCES (UNLESS SPECIFIED)		DIMENSION STYLE MM ONLY	SCALE ---	DESIGN UNITS METRIC	THIRD ANGLE PROJECTION
	10 UNDER	±0.2	DRAWN BY K. TOJO	DATE 1993/05/24	TITLE 2.5 W/B CONN WAFER ASSY R/A RADIAL TAPING -LEAD FREE-	
	10 OVER 30 UNDER	±0.25	CHECKED BY K. ASAKAWA	DATE 2001/11/13	MOLEX INCORPORATED	
	30 OVER	±0.3	APPROVED BY T. YAMAGUCHI	DATE 2001/11/13	DOCUMENT NO. SD-53426-002	SHEET NO. 2 OF 2
REV	DESCRIPTION	ANGULAR ±3 ° DRAFT WHERE APPLICABLE MUST REMAIN WITHIN DIMENSIONS	MATERIAL NO. SEE CHEET 1	THIS DRAWING CONTAINS INFORMATION THAT IS PROPRIETARY TO MOLEX INCORPORATED AND SHOULD NOT BE USED WITHOUT WRITTEN PERMISSION		