

Bidirectional ESD / Transient Suppressors

COMCHIP
SMD DIODE SPECIALIST

CEE / CEF Series-G (RoHS Device)

Current: 5.1A

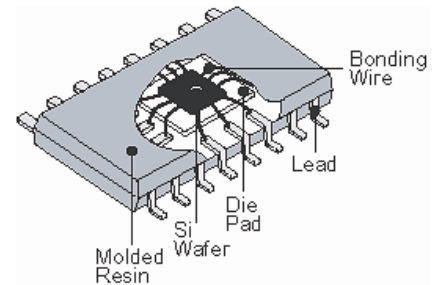
Voltage: 5V, 24V

Features

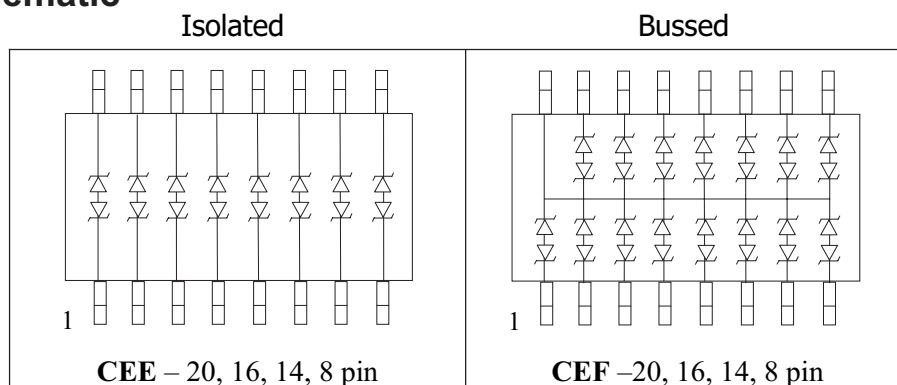
- (16kV) IEC 61000-4-2 rating
- Surface Mount Package
- High Component Density

Applications

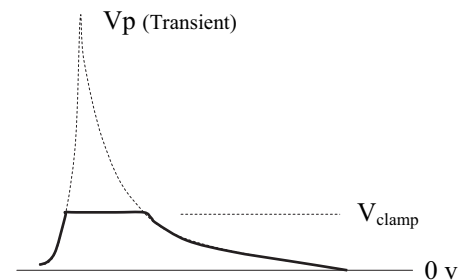
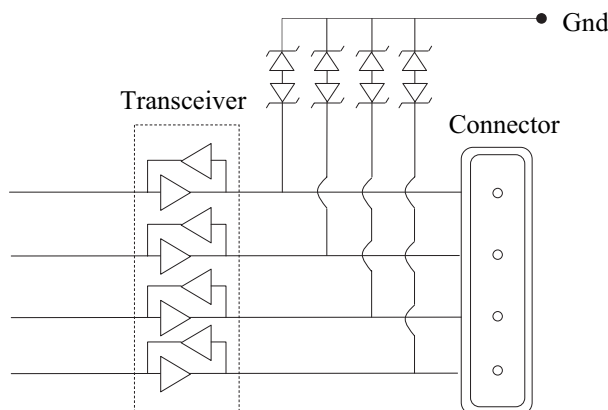
- ESD Suppression
- Transient Suppression



Circuit Schematic



Application Schematic



Bidirectional ESD / Transient Suppressors

COMCHIP
SMD DIODE SPECIALIST



Specifications:(Ta = 25°C)

24V Characteristic (CAN bus)

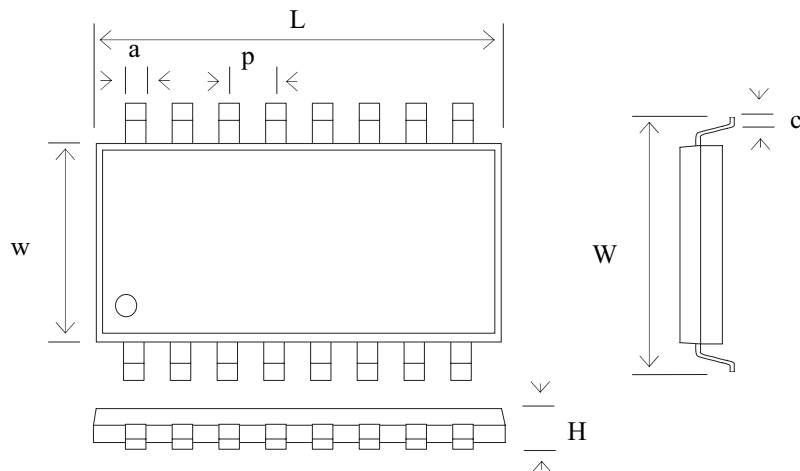
Symbol	Characteristic	Min	Typ	Max	Units	Test Condition
V _{BD}	Diode breakdown voltage	25	28	35	V	I _F = 1 ma
I _L	Leakage current		0.1	2.0	uA	24v
C _T	Capacitance		15		pF	@ 1Mhz
V _{ESD}	Channel clamp voltage		-	± 28	V	8kV event
V _{PV}	Peak ESD voltage capability			16	kV	IEC 61000-4-2
I _{pp} *	Peak Pulse Current			15	A	8 / 20 us

5V0 Characteristic

Symbol	Characteristic	Min	Typ	Max	Units	Test Condition
V _{BD}	Diode breakdown voltage	5.1	7.0	10	V	I _F = 1 ma
I _L	Leakage current		±0.1	± 2.0	uA	5v
C _T	Capacitance		15	20	pF	@ 1Mhz
V _{ESD}	Channel clamp voltage		-	± 7.0	V	8kV event
V _{PV}	Peak ESD voltage capability			16	kV	IEC 61000-4-2
I _{pp} *	Peak Pulse Current			5.1	A	8 / 20 us

* one diode conducting

Package Information:



Dimensions in (mm):

Package Code	Package Power	Number of Pins	L ± 0.2	W ± 0.2	w ± 0.2	H ± 0.2	p ± 0.1	a ± 0.1	c ± 0.1
N08	0.4 w	08	4.83	5.99	3.81	1.60	1.27	0.41	0.66
N14	0.6 w	14	8.66	5.99	3.81	1.60	1.27	0.41	0.66
N16	0.8 w	16	9.91	5.99	3.81	1.60	1.27	0.41	0.66
Q16	0.8 w	16	9.91	5.99	3.81	1.6	.0635	0.25	0.66
W16	1.0 w	16	10.44	10.36	7.62	2.40	1.27	0.41	0.66
W20	1.2 w	20	12.70	10.36	7.62	2.40	1.27	0.41	0.66

Ordering Information:

CEE	N16	5V0	-G
-----	-----	-----	----

Type	Package Code	Voltage	RoHS Compliant
CEE	From table above	5V0	
CEF		24V	