

USB Hub with Memory Card Reader/Writer CKM-E81 Series

FEATURES

1. Ultra-light, compact design. Excellent portability.
2. Equipped with a 3-port, downstream MemoryCard reader/writer.
3. Supports both bus power/self power.
4. Equipped with a function that automatically cuts off a port that has overcurrent.
5. Signal transmission speed supports full speed (12Mbps) and low speed (1.5Mbps).



HOW TO ORDER

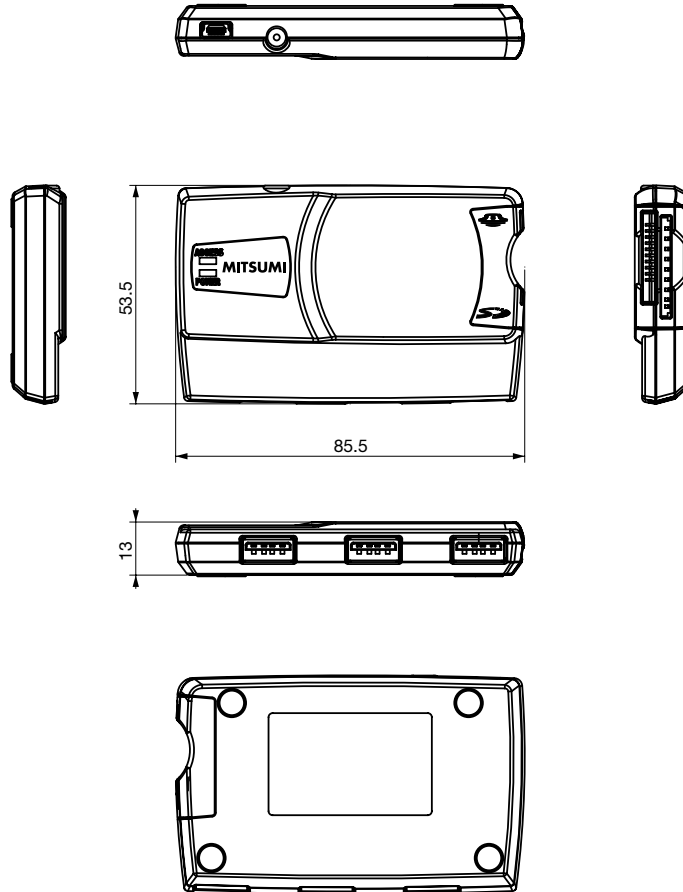
E81-003-4194-A
 1 2 3 4

- 1 Series No.
- 2 Number of downstream ports (003 : 3ports)
- 3 Product Specifications No.
- 4 Memory Card Composition.
 A : Memory Stick and SD Memory Card
 B : Memory Stick
 C : SD Memory Card

SPECIFICATIONS

Rating	6V/1.8A (Self powered) 5V/500mA (Bus powered)
Supported Standards	USB(1.1), Memory Stick, SD Memory Card, Multi Media Card
Downstream Port	3Ports
Power Supply Method	Bus powered/Self powered
OS	Windows98, 98SE, Me, 2000, XP

DIMENSIONS



Unit : mm