



Ether Module™-EM2H 10Base-2

Ethernet Transceiver Module with on Board
Isolation Transformer & DC/DC Converter

97176

Introduction

The Thin Net (Cheapernet) module provides a complete Local Area Network interface for a station, without a transceiver cable. The EM2H is an encased module containing all circuit components for a complete Thin Net COAX interface and includes an on-board SEEQ CMOS 83C92C transceiver DC/DC converter and isolation transformer.

The module is compatible with ANSI/IEEE 802.3 and ISO 8802-3.

The module is part of a chipset manufactured by SEEQ Technology to provide the basic components for a LAN interface board. The other components include the 80C03, 8005/80C04A Advanced Ethernet Data Link Controllers (AEDLC™), the 8020 or 8023A Manchester Code Converter (MCC™), and the 80C24 Media Interface adapter (MIA).

Features

- The module is compatible with ANSI/IEEE 802.3 and ISO 8802-3 Standards for Thin Net (10BASE2).
- Contains all Thin Net COAX transceiver functions within a single encased unit.
- Squelch circuits on all signal inputs to eliminate noise.

Note: Check for latest Data Sheet revision before starting any designs.

SEEQ Data Sheets are now on the Web, at www.lsilogic.com.

This document is an LSI Logic document. Any reference to SEEQ Technology should be considered LSI Logic.

- Collision Test Generator, externally deselectable to work with any ANSI/IEEE 802.3 and ISO 8802-3 repeater.
- Detects and reports network collisions in both transmit and receive modes.
- Implemented with SEEQ proprietary high voltage (20V) and high performance CMOS process.
- Loopback test detects network cable opens or shorts.
- Power On Reset prevents transmission during power up.
- Regulated DC to DC Converter on board.
- Disable pin to power-down module.
- Isolation Transformer on board.
- Optimized for Hub and Repeater Applications.
- EM2H is Available for Adapter Card Applications

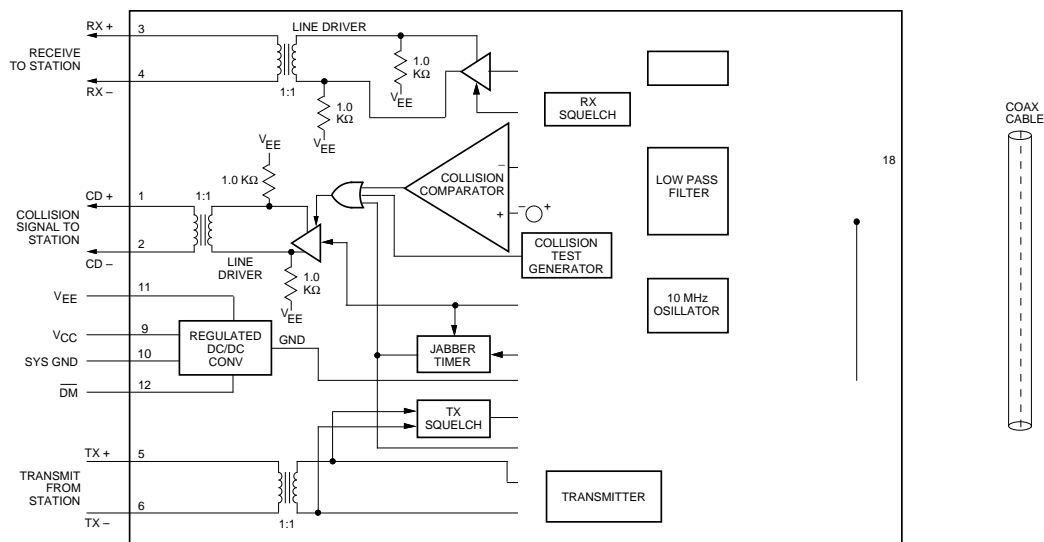


Figure 1. Ethernet Transceiver Module Block Diagram

AEDLC, MCC and Ether Module are trademarks of SEEQ Technology, Inc.



Ether Module - EM2H 10Base-2

Description

The Thin Net module connects the station equipment to a Thin Net (Cheapernet) COAX cable. The on-board 83C92C CMOS COAX transceiver provides the drive current and wave shaping for the transmit signals. It supplies receive signal equalization, collision detection and squelch.

Description of the Pin Functions

PIN # FUNCTION

- 1 - 2 *CD± Collision Output. A balanced 10 MHz differential output to the station equipment when a collision is detected, when excessive data transmission occurs (jabber), or during the Collision Test (Heartbeat Test).*
- 3, 4 *RX± Receive Data Output. Line Driver output to the MCC Receive inputs.*
- 11 *V_{EE} Negative Supply. Nominally -9 volts referenced to COAX shield ground.*

An on-board DC-DC power converter provides -9 volt power for the on-board module, and DC isolation from the station equipment to prevent ground loop current.

- 5 - 6 *TX± Transmit Data Input. A balanced line receiver input to the module from the MCC for transmit packets.*
- 16 *HBE Heartbeat Enable. This input enables the Collision (also called Heartbeat) Test when connected to ground, and disables the test when connected to V_{EE}.*
- 10 *SYS GND Ground. System Ground is referenced to V_{CC}.*
- 18 *RXI Network Signal Receiver. Connects to the network COAX center conductor, and receives packet data and detects the collision voltage level.*
- 17 *TXO Network Signal Transmitter. Connects to the network COAX center conductor through an internal 1N916 diode, and transmits all signals from the MCC to the network.*
- 20 *CDS Collision Detect Sense. Connects directly to the network shield, and references the collision detection voltage level.*

TOP VIEW

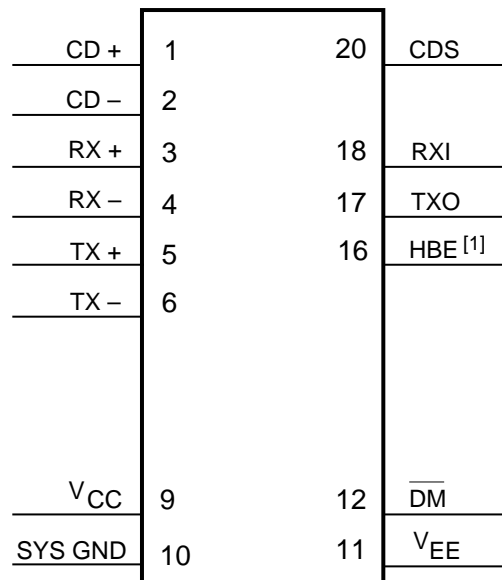


Figure 2. Ethernet Transceiver Module Pin Configuration

12 \overline{DM} Disable module is an active low signal (internal 10K Ω pullup) that may be utilized to turn off the Ether module in the event an alternative transceiver is used, or for power conservation purposes.

Description of the Module Functions

The module has five main functions, as shown in the block diagram. These are the Transmitter; the Collision Detector; the Jabber Timer; the Receiver; and the DC/DC Converter. The on-board SEEQ 83C92C provides all functions except DC/DC conversion and AUI signal isolation.

The Transmitter

The Transmitter takes differential output signals from the MCC, and outputs these signals at the correct levels to the network.

The transmit signal is sent to the module via a balanced differential pair (TX \pm). A squelch circuit prevents the Transmitter Output from responding to noise on the TX \pm pair. The Transmitter has an open-collector current driver output using the V_{EE} supply. Rise and fall times are controlled and set at 25 ns/V to lessen the higher harmonics. Drive current levels are set by a bandgap voltage reference and an internal 1K resistor. An internal diode is also added to reduce COAX loading and capacitance to comply with the ISO and ANSI/IEEE specifications.

The transmit squelch circuit blocks signals with pulse widths less than 15 nanoseconds, (negative-going), or with levels of less than -175 millivolts. The squelch circuits turn the Transmitter off at the end of a packet if the signal stays higher than -175 millivolts for more than 190 nanoseconds. See Figure 3, the Transmitter Timing Diagram.

The TX0 signal is disabled when not transmitting to prevent noise on the network. If the COAX cable is shorted or open, no transmitted data appears on the Receiver input. This condition can be detected by the station equipment by running a loopback test.

Collision Detection

The Collision detector monitors the COAX Center Conductor and senses the voltage conditions created by a collision, where the COAX shield is used as a reference. A collision condition can be detected when two or more stations are transmitting, whether or not the local Transmitter is activated. This is called Receive Mode Collision Detection.

The detector signals a collision by sending the 10 MHz oscillator signal through the Collision Pair (CD \pm) to the MCC. The Heartbeat Test is performed at the end of each transmitted data packet to verify the operation of the detector.

A collision causes a -2.0 volt average DC level on the center conductor of the network cable. This level passes through a 4-pole Bessel low-pass filter for averaging. The resulting signal is measured by a voltage comparator against the threshold voltage V_{CD} of about -1.5 volts. A collision is indicated when the center conductor average level is more negative than the CDS level by the threshold V_{CD}. The line driver is enabled within 900 ns of the onset of the collision, and the 10 MHz signal is sent to the station equipment.

The Heartbeat Test is a short burst of the collision signal generated immediately after the transmission of a packet. This test enables the 10 MHz collision signal for about 1

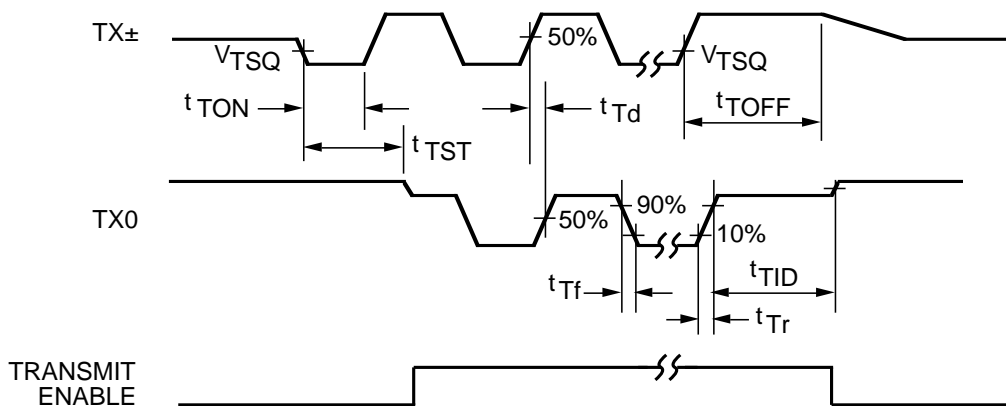


Figure 3. Transmitter Timing

Ether Module - EM2H 10Base-2

microsecond starting about 1.1 microseconds after the end of transmission. This test can be disabled for operation with repeaters by connecting the HBE pin to V_{EE} .

The Jabber Timer

The Jabber Timer monitors the operation of the Transmitter, using the 10 MHz Oscillator as a time base. If the Transmitter operates continuously for more than typically 40 Milliseconds, the Jabber Timer disables the Transmitter and enables the Collision Detector outputs. The Transmitter is automatically re-enabled after the station has been silent for 500 milliseconds.

The Receiver

The Receiver detects any signal on the COAX center conductor that triggers its squelch circuits, and sends the signal through a differential line driver to the MCC. The Receiver provides amplification and equalization; a squelch circuit prevents noise from activating the Receiver circuits. See Figure 4.

The receive signal goes through a buffer with a high input impedance and low capacitance to reduce loading and reflections on the network COAX. An equalizer passes high frequencies and attenuates low frequency signals from the network, flattening the network pass band. The signal is output through a differential line driver presenting a balanced signal to the station. The line driver has 4 nanosecond rise and fall times.

A 4-pole Bessel low-pass filter provides the average DC level from the received signal. It sends this level to the Collision Comparator and RX Squelch circuits. The squelch circuit activates the Receive Line Driver only when it detects a true signal. This prevents noise triggering the receiver.

When a packet is detected, the DC level from the Low-pass Filter becomes more negative than the DC squelch threshold, and the Receiver turns on. The squelch circuit AC timing detects high level signals of more than 225 nanoseconds, and turns the Receiver off. If within 1 microsecond (typical) the low_pass filter level becomes more positive than the DC squelch threshold, then the receiver stays off. See the Receiver Timing Diagram, Figure 4.

The System Connections diagram shows the transceiver connections in a station environment. RX_{\pm} and CD_{\pm} differential signals to the MCC are biased by 1.0 K ohm pull-down resistors and are isolated from the MCC. The DC supply is converted to $-9V$ by a DC to DC converter. This converter also provides DC isolation between the $+5$ volt and -9 volt sides.

The COAX center conductor connects to the Receive and Transmit pins of the transceiver. An internal diode minimizes network loading when power is on or off. COAX tap capacitance contributed by the Thin Net module is less

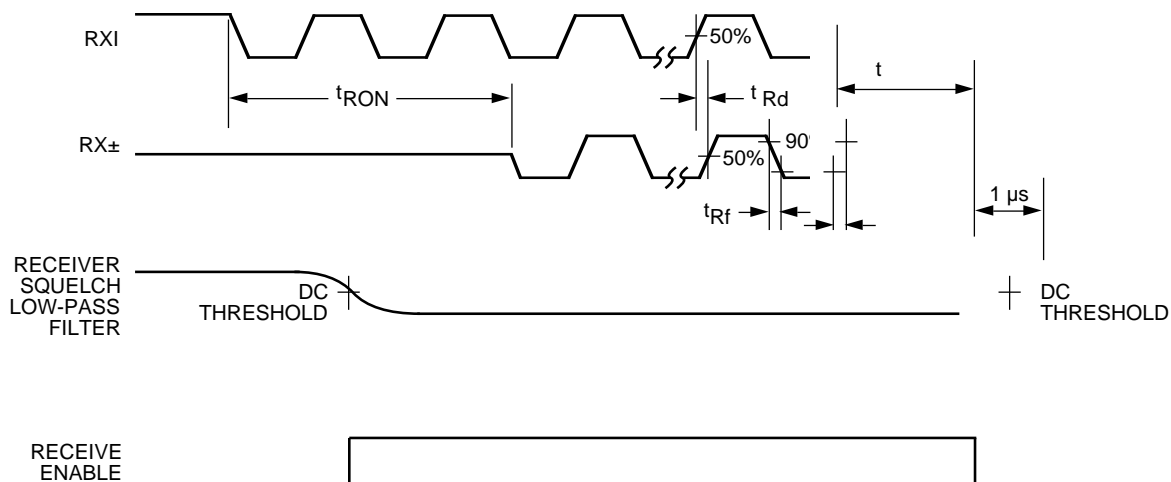


Figure 4. Receiver Timing

Ether Module - EM2H 10Base-2

than 4 pF at 10 MHz, powered and unpowered, not transmitting. CDS, Collision Detection Sense detects the Collision reference level. This is a ground-referenced sense pin. It should be connected directly to the COAX shield to prevent ground-loop interference.

The Transceiver assembly includes the DC - DC Converter and a pulse transformer for RX±, TX± and CD± signal isolation.

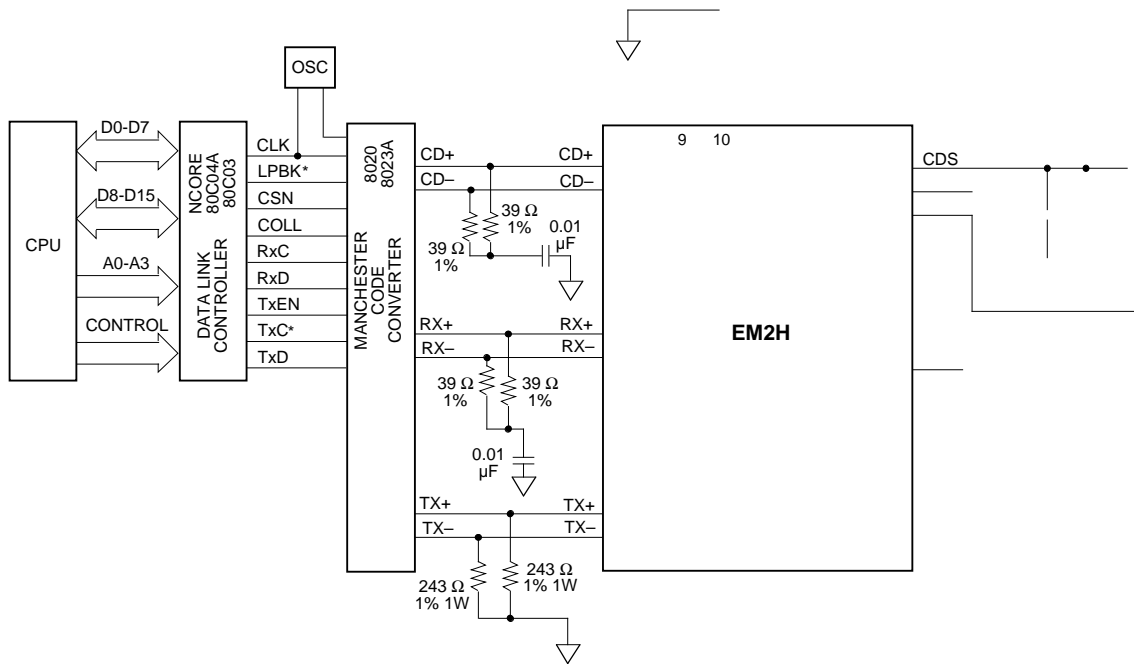
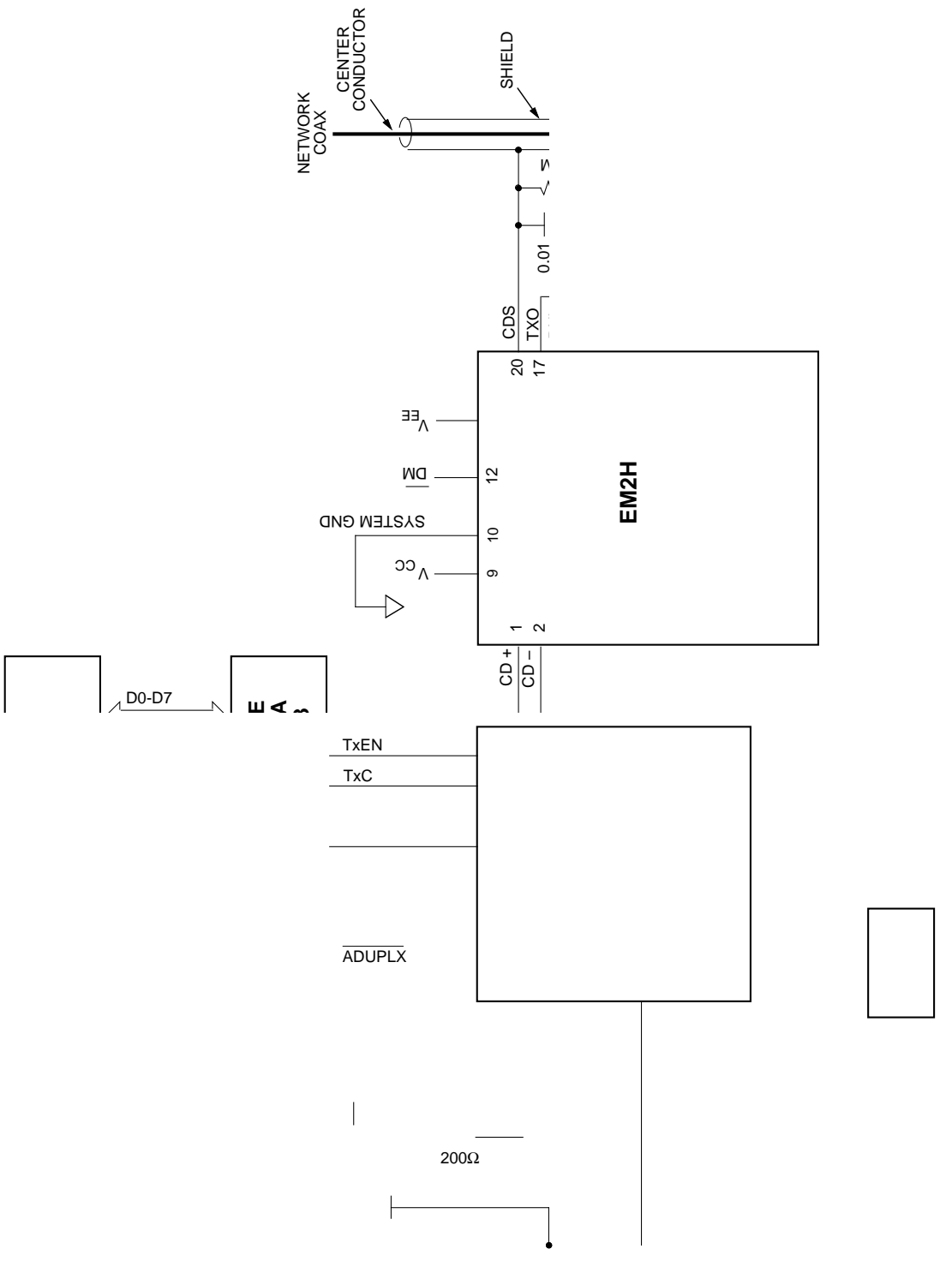


Figure 5a. Coax Ethernet Transceiver System Connections

Ether Module - EM2H
10Base-2



Ether Module - EM2H 10Base-2

Absolute Maximum Ratings*

Input Voltage 0 to 7V V_{CC}
 Operating Temperature 0° to 70° C
 Storage Temperature -20° to 85° C
 DC Isolation Voltage 500V DC
 AC Isolation Voltage 500V AC

**COMMENT: Stresses above those listed under "Absolute Maximum Ratings" may cause permanent damage to the device. This is a stress rating only and functional operation of the device at these or any other conditions above those indicated in the operational sections of this specification is not implied. Exposure to absolute maximum rating conditions for extended periods may affect device reliability.*

Operating Parameters for Module

		MIN	MAX	
Input (TAP) Capacitance	Crxi+Ct _{xo}		4	pf
Isolation Impedance	Z _{iso}	250		KΩ

Operating Parameters for Isolation Transformer

		MIN	MAX	UNIT(S)
Primary Open Circuit Inductance	OCL	90	120	μH
ET Constant	ET	2.1		V-μSV
Rise Time	t _{RS}		3	nS
Pri/Sec Leakage Inductance	L _L			μH
Pri/Sec Capacitance	CW/W		10	pF
Winding Resistance	DCR		0.3	Ω
Turns Ratio	1:1 ± 5%			
Isolation Insulation Resistance	2000 V _{RMS} 10,000 M Ω (DC 250V)			

Operating Parameters for DC to DC Converter

		MIN	TYP	MAX	UNIT(S)
Input Voltage	V _{in}	4.75	5	5.25	V
Max Input Current ^{to Full}	I _{CC}			30 ^{to Full}	ma
Efficiency		60	68		%
Ripple Voltage	V _n Out		91	120	mV P-P



Ether Module - EM2H 10Base-2

Electrical Characteristics $V_{CC} = 5V \pm 5\%$, $T_A = 0^\circ$ to $70^\circ C$ (See Notes 1, 2 & 3)

Symbol	Parameter	Min	Typ	Max	Units
I_{CC1}	Supply Current Non Transmitting			225	mA
I_{CC2}	Supply Current Transmitting ^[8]			300	mA
I_{RXI}	Receive Input Bias Current (RXI) ^[3]	-2	-1	+25	μA
I_{TDC}	Transmit Output DC Current Level (TXO)	37	41	45	mA
I_{TAC}	Transmit Output AC Current Level (TXO)	± 28		I_{TDC}	mA
V_{CD}	Collision Threshold (Receive Mode) ^[2]	-1.49	-1.53	-1.58	V
V_{OD}	Differential Output Voltage (RX \pm , CD \pm) ^[2]	± 550		± 1200	mV
V_{OC}	DC Common Mode Output Voltage (RX \pm , CD \pm) ^{[1][7]}	-1.5	-2.0	-2.5	V
V_{OB}	Idle State Differential Offset Voltage (RX \pm , CD \pm) ^[7]			± 40	mV
V_{OA}	AC Common Mode Output ^[7] Voltage (RX \pm , CD \pm) ^[2]			± 40	mV
V_{TSQ}	Transmitter Squelch Threshold (TX \pm)	-175	-225	-300	mV
C_X	TAP Capacitance ^[4]		3.0	4.0	pF
R_{RXI}	Shunt Resistance—Non Transmitting (RXI) ^[5]	100			K Ω
R_{TXO}	Shunt Resistance—Transmitting (TXO) ^{[2][6]}	10			K Ω
Harmonic Content Relative to Fundamental					
$H_{C2,3}$	Second and Third Harmonics	-20			dB
$H_{C4,5}$	Fourth and Fifth Harmonics	-30			dB
$H_{C6,7}$	Sixth and Seventh Harmonics	-40			dB

NOTES

- V_{OC} has no impact on system performance, since the twisted pair is transformer - isolated.
- As required to meet ANSI/IEEE 802.3 and ISO 8802-3 specifications.
- All currents into device pins are positive, all currents out of device pins are negative. All voltages referenced to ground unless otherwise specified.
- Measured at RXI. Guaranteed through characterization.
- Current is measured on RXI while first forcing 0 volt and measuring the current, and then forcing -2 volts and measuring the current.

Thus:

$$R = \frac{\Delta V}{\Delta I} = \frac{2V}{[I @ 0V] - [I @ -2V]}$$

- TX \pm is first set to 1 volt differential (DC voltage) to surpass the squelch level.
Current is measured on TXO while first forcing 0 volt and measuring the current, and then forcing -2 volts and measuring the current. Calculation is the same as item 5 above.
- Values shown are internal to the module and are shown to indicate module capability only.
- Values as shown is for 50% duty cycle, for 100% duty cycle $I_{CC2} = 380$ ma.

Recommended Operating Conditions

Supply Voltage (V_{CC}) 5V \pm 5%
Ambient Temperature 0° to 70°C

Switching Characteristics $V_{CC} = 5V \pm 5\%$, $T_A = 0^\circ$ to $70^\circ C$

Symbol	Parameter	Fig	Min	Typ ^[1]	Max	Units
t_{TST}	Transmitter Startup Delay (TX \pm to TXO) ^[2]	3		1	2	bits
t_{Td}	Transmitter Propagation Delay (TX \pm to TXO)	3	15	25	50	ns
t_{JA}	Jabber Activation Delay (TX \pm to TXO and CD \pm) ^[2]	8	20	40	60	ms
t_{JR}	Jabber Reset Timeout (TX \pm to TXO and CD \pm)	8	250	500	750	ms
t_{Rd}	Receiver Propagation Delay (RXI to RX \pm)	4		15	50	ns
t_{TM}	t_{Tr} and t_{Tf} Mismatch			0.5	± 2.0	ns
t_{RON}	Receiver Startup Delay (RXI to RX \pm) ^[2]	4		4	5	bits
t_{CON}	Collision Turn-On Delay ^[2]	6		7	13	bits
t_{COFF}	Collision Turn-Off Delay	6			20	bits
f_{CD}	Collision Frequency (CD \pm)	6	8.5		11.5	MHz
t_{CP}	Collision Pulse Width (CD \pm) ^[2]	6	35		70	ns
t_{HON}	CD Heartbeat Delay (TX \pm to CD \pm)	6	0.6		1.6	μs
t_{HW}	CD Heartbeat Duration (CD \pm)	6	0.5	1.0	1.5	μs

NOTES

1. All typicals are given for $T_A = 25^\circ C$, $V_{CC} = 5V$.
2. As required to meet ANSI/IEEE 802.3 and ISO 8802–3 specifications.

Timing and Load Diagrams

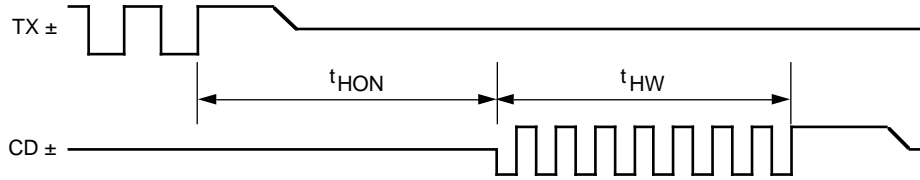


Figure 6. Heartbeat Timing

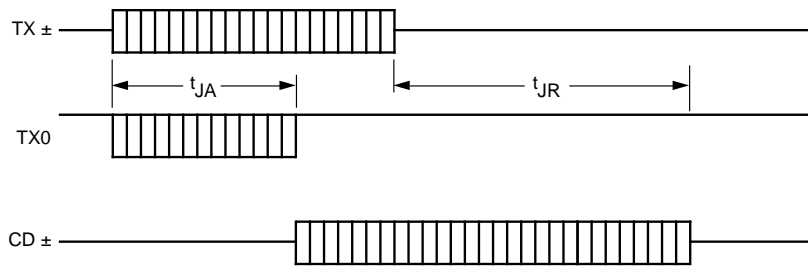
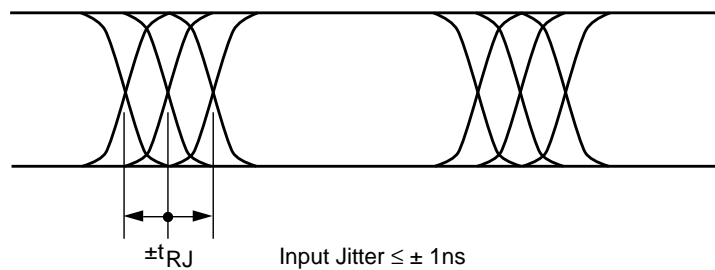


Figure 7. Jabber Timing



Input Jitter $\leq \pm 1$ ns
 RX± Output Jitter $\leq \pm 7$ ns
 Difference $\leq \pm 6$ ns

Figure 8. Receive Jitter Timing

Ordering Information

EM2H — Ether Module for 10Base-2 Hub and Repeater Applications

Revision History

8/12/96

- Page 12, Mechanical Drawing:

- Overall package length reduced from 1.102 ± 0.02 to 1.095 ± 0.030
- Package width changed from 0.990 to 0.975 ± 0.025
- Dimension from pin stand-off to package bottom specified as 0.025 (nom.)
- Package thickness changed from 0.415 (max.) to 0.400 (max.)
- Lead width tolerance added 0.018 ± 0.003 .
- Lead row- to-row spacing specification refined, in note 3, replacing "from shoulder to shoulder" to "at seating plane".

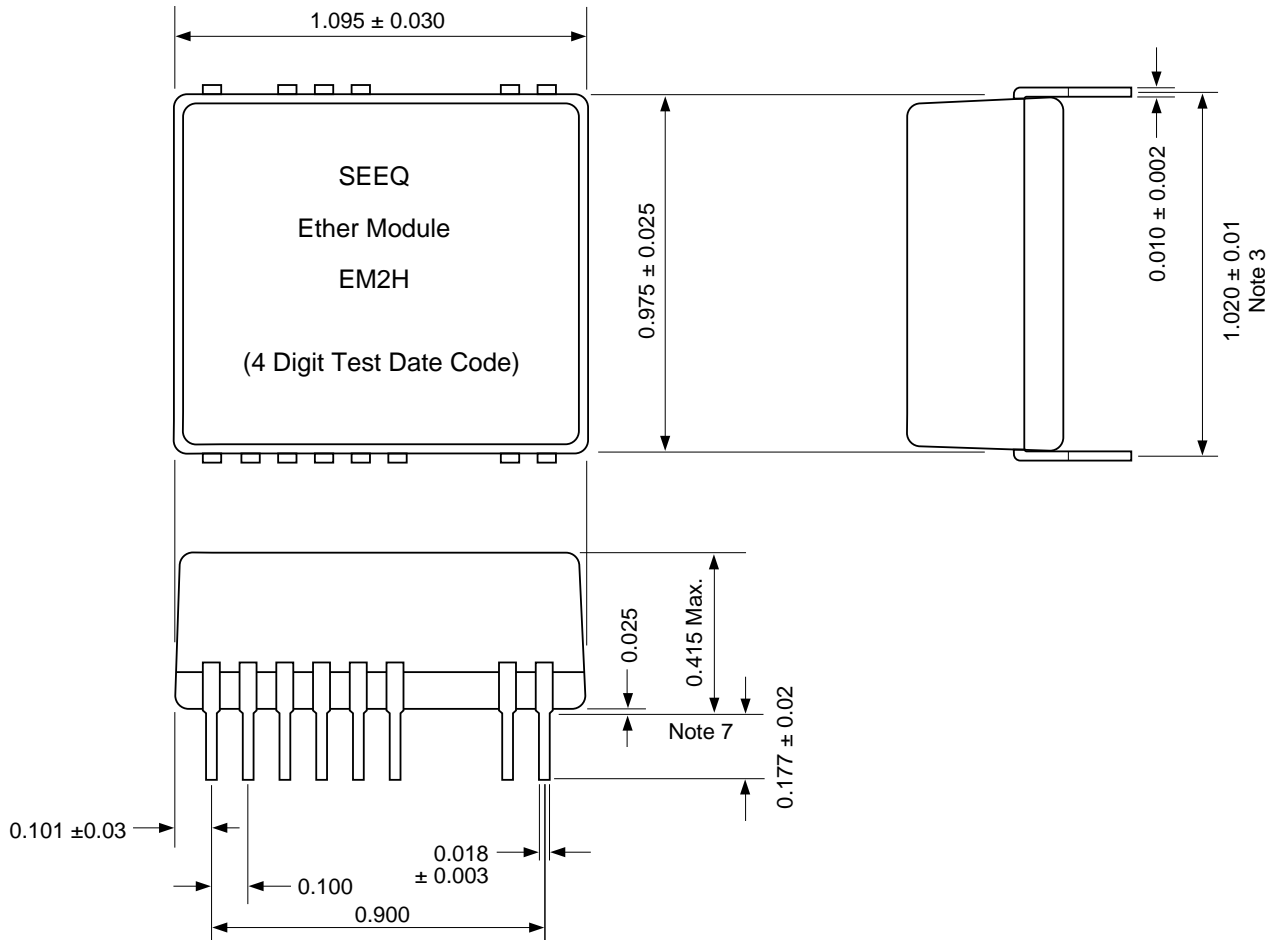
6/25/97

- Document revision changed to MD400153/B

- Page 12 , Mechanical Drawing

- Reference to 0.400 Max. has been changed to 0.415 Max
- Marking Specifications have been deleted.
- Reference to dimension 0.098 has been deleted.
- Note 7 has been added; Dimensions are measured to point where leads start to narrow.

20 Pin Module



NOTES

1. All dimensions are in inches.
2. Dimensions do not include mold flash. Allowable mold flash is .010.
3. Dimension is measured at seating plane.
4. Tolerances are $\pm .010$ unless otherwise specified.
5. For solder dipped leads, thickness will be .020 max.
6. Pins 7, 8, 13, 14, 15, and 19 are missing.
7. Dimensions are measured to point where leads start to narrow.