



M34S32

32K Serial I²C Bus EEPROM With User-Defined Read-Only Block and 32-Byte OTP Page

PRELIMINARY DATA - DATA BRIEFING

- TWO WIRE I²C SERIAL INTERFACE, SUPPORTS 400kHz PROTOCOL
- COMPATIBLE WITH I²C EXTENDED ADDRESSING
- 1 MILLION ERASE/WRITE CYCLES
- 40 YEARS DATA RETENTION
- SINGLE SUPPLY VOLTAGE
- HARDWARE WRITE CONTROL
- USER-DEFINED READ-ONLY BLOCK
- 32 BYTES OTP PAGE
- BYTE and PAGE WRITE (up to 32 BYTES)
- BYTE, RANDOM and SEQUENTIAL READ MODES
- SELF TIMED PROGRAMING CYCLE
- AUTOMATIC ADDRESS INCREMENTING
- ENHANCED ESD and LATCH-UP PERFORMANCES

DESCRIPTION

The M34S32 is a 32K bit electrically erasable programmable memory (EEPROM), organized as 4096 x 8 bits.

Table 1. Signal Names

SDA	Serial Data Address Input/Output
SCL	Serial Clock
\overline{WC}	Write Control
\overline{WCR}	Write Control of Control Register
V _{CC}	Supply Voltage
V _{SS}	Ground

Figure 1. Delivery Forms

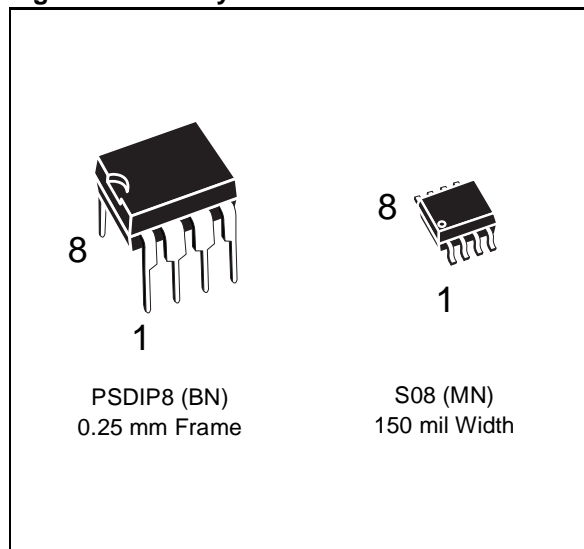
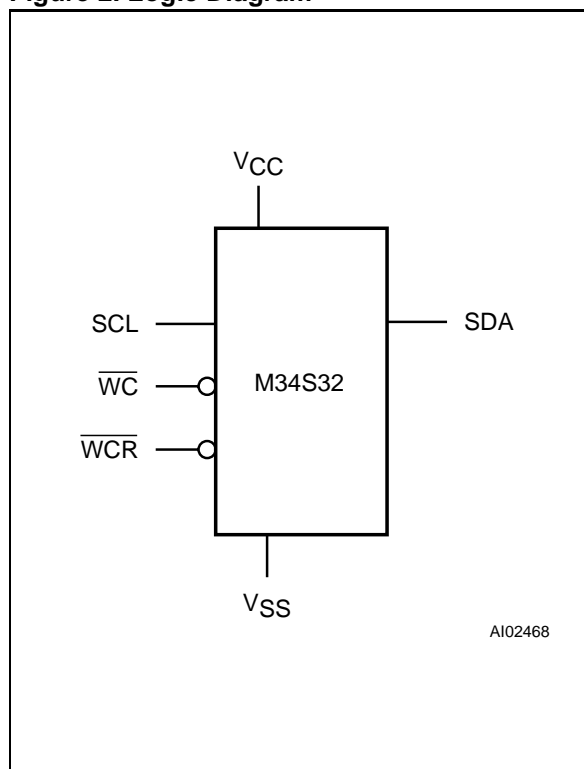


Figure 2. Logic Diagram



A102468

Figure 3. DIP Pin Connections

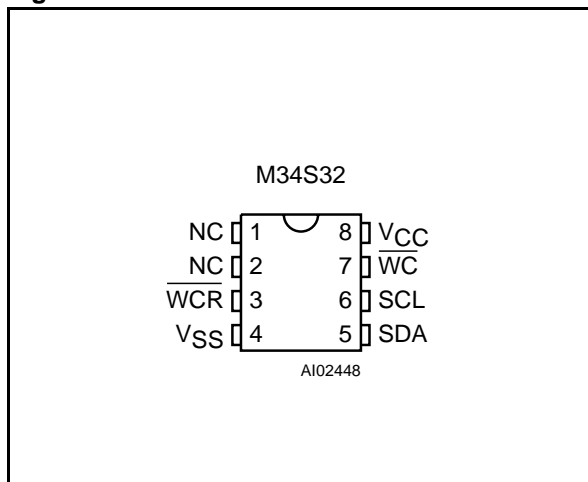
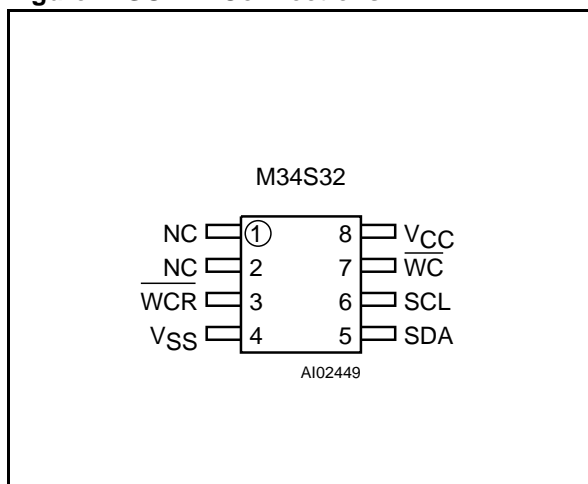


Figure 4. SO Pin Connections

**DESCRIPTION (cont'd)**

The memory is compatible with the I²C extended addressing standard, two wire serial interface which uses a bi-directional data bus and serial clock. The memory carries a built-in 4 bit, unique device identification code (1010) corresponding to the I²C bus definition. The memory behaves as slave devices in the I²C protocol with all memory operations synchronized by the serial clock. Read and write operations are initiated by a START condition generated by the bus master. The START condition is followed by the Device Select Byte. This is a stream of 4 bits (the identification code 1010), then 3 bits of memory block access input, plus one read/write bit. The byte is finally terminated by an acknowledge bit.

The M34S32 contains three memory blocks: the OTP page, the EEPROM block and the ROM block. The OTP (One Time Programmable) page is a page of 32 bytes, written once by the user. The OTP page is not located within the 32 Kbits EEP-

ROM area. Once written, the OTP page cannot be modified by further write instructions. The ROM block resides inside the 32 Kbit EEPROM area. The size of the ROM block is defined (by the user) with the help of the Control Register.

The OTP page is accessed with the Device Select Byte 1010001x, the EEPROM and ROM blocks are accessed with the Device Select Byte 1010000x. The control register is accessed with the Device Select Byte 1010100x.

ORDERING INFORMATION SCHEME

Devices are shipped from the factory with the memory content set at all "1"s (FFh).

For a list of available options, refer to the current *Memory Shortform Catalogue*.

For further information on any aspect of this device, please contact the ST Sales Office nearest to you.

In general, the fields of the product number are made up as follows:

Example:

M34 S 32 - W MN 1 T

Capacity	32	32 Kbit (4K x 8)
Operating Voltage	blank	4.5 V to 5.5 V
	W	2.5 V to 5.5 V
Package	BN	PSDIP8 (0.25 mm frame)
	MN	SO8 (150 mils width)
Temperature Range	1	0 °C to +70 °C (See note 1)
	6	-40 °C to +85 °C
	5	-20 °C to +85 °C
Option	T	Tape & Reel Packing

Note: 1. Temperature range on request only.