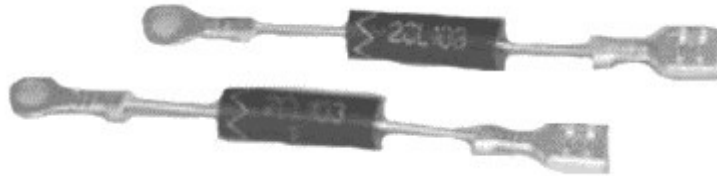




2CL1

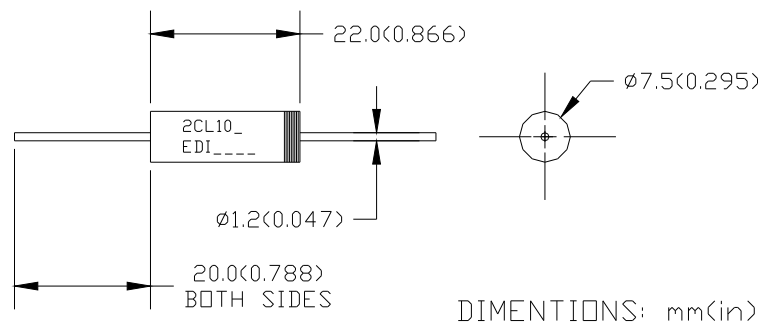
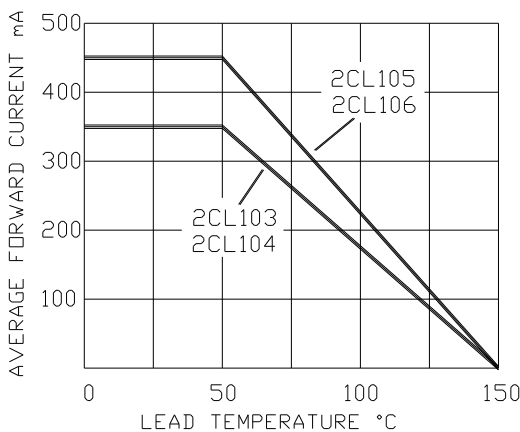
HIGH VOLTAGE, HIGH CURRENT
SILICON RECTIFIER DIODES



EDI TYPE #	PRV VOLTS	AVERAGE FORWARD CURRENT, I _o	MAX FORWARD VOLTAGE DROP (@PRV),
2CL103	9,000	350 mA	10V
2CL104	12,000	350 mA	12V
2CL105	9,000	450 mA	10V
2CL106	12,000	450 mA	12V

Electrical Characteristics (at T_A = 25°C Unless Otherwise Specified)

ELECTRICAL CHARACTERISTIC	2CL10 Series
MAX DC REVERSE CURRENT (25°C)	5 μA
MAX DC REVERSE CURRENT (100°C)	20 μA
OPERATING TEMPERATURE RANGE	-55 To 150°C
STORAGE TEMPERATURE RANGE	-55 To 150°C



NOTES: It is recommended that a proper heat sink be used on the terminals of this device between the body and the soldering point to prevent damage from excess heat.

EDI reserves the right to change these specifications at any time without notice.

ELECTRONIC DEVICES, INC. DESIGNERS AND MANUFACTURERS OF SOLID STATE DEVICES SINCE 1951.
21 GRAY OAKS AVENUE * YONKERS, NEW YORK 10710 914-965-4400 * FAX 914-965-5531 * 1-800-678-0828
e-mail:sales@ediodes.com * website: http://www.ediodes.com