

CHOKE **Current Compensated Chokes**

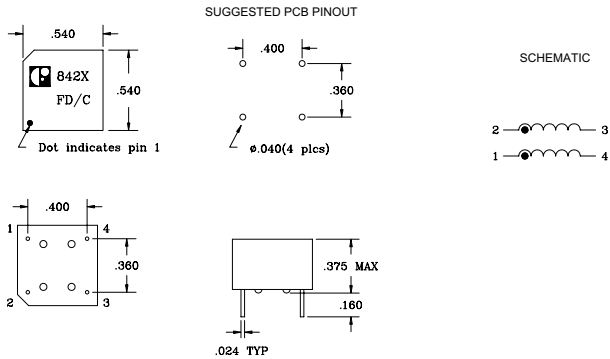
8420-8424



- Windings are current compensated to provide a high inductance to common mode signals simultaneously handling peak currents without saturation.
- 100kHz – 3MHz common mode resonance frequencies
- Extended temperature range -40°C to 125°C
- UL94V0



MECHANICAL AND SCHEMATIC (All dimensions in inches)



ELECTRICAL SPECIFICATION @ 25° C

PART NUMBER	CURRENT RATING Nominal @ 40° C	R Megohms / path	INDUCTANCE mH / path
8420	0.3	1275	12.0
8421	0.6	385	4.4
8422	1.0	205	3.0
8423	1.5	100	1.6
8424	2.0	70	1.1

ISSUE: B 05/06/02 8420-8424



FILTRAN LTD
An ISO 9001 Registered Company

229 Colonnade Road, Ottawa, Ontario, Canada K2E 7K3
Tel: (613) 226-1626 Fax: (613) 226-7124 www.filtran.com