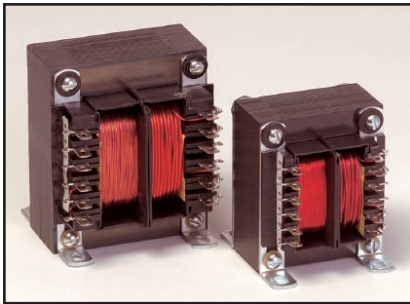


# All-4-One™ International Transformers

## Chassis Mount



International Standards at Lower Cost and Better Performance



Designed to provide the high isolation, creepage and clearance necessary to comply with international safety standards.

### General Specifications

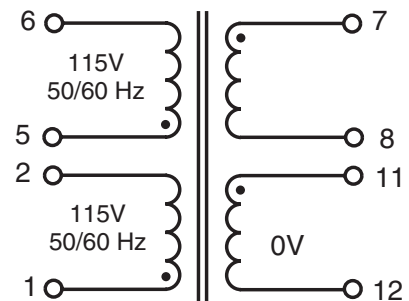
- Power - 25 VA to 175 VA
- Dielectric Strength - 4000 VRMS Hipot
- Primaries - Dual primaries (115/230 V - 50/60 Hz)
- Dual Secondaries - Series or parallel
- Terminals - Solder lug / quick connect type terminals
- Leakage - Current meets UL 60601-1, IEC/EN 60601-1
- Insulation - Class F (155° C)
- Flammability Rating - Bobbin and shroud material meet UL 94-V0

### Agency Certifications

- UL 1446 E66312
- UL recognized to UL 506, File # E63829
- CSA certified to C22.2 #66, File # 221070
- VDE certified to VDE 0805 / EN 60950, File # 1448
- Agency certified versions available with lead wires



Part Number	VA	Secondary RMS Rating	
	Size	Series	Parallel
A41-25-10	25	10VCT @ 2.5A	5V @ 5.0A
A41-43-10	43	10VCT @ 4.3A	5V @ 8.6A
A41-80-10	80	10VCT @ 8.0A	5V @ 16.0A
A41-130-10	130	10VCT @ 13.0A	5V @ 26.0A
A41-175-10	175	10VCT @ 17.5A	5V @ 35.0A
A41-25-12	25	12.6VCT @ 2.0A	6.3V @ 4.0A
A41-43-12	43	12.6VCT @ 3.4A	6.3V @ 6.8A
A41-80-12	80	12.6VCT @ 6.3A	6.3V @ 12.6A
A41-130-12	130	12.6VCT @ 10.3A	6.3V @ 20.6A
A41-175-12	175	12.6VCT @ 14.0A	6.3V @ 28.0A
A41-25-16	25	16VCT @ 1.6A	8V @ 3.2A
A41-43-16	43	16VCT @ 2.7A	8V @ 5.4A
A41-80-16	80	16VCT @ 5.0A	8V @ 10.0A
A41-130-16	130	16VCT @ 8.1A	8V @ 16.2A
A41-175-16	175	16VCT @ 11.0A	8V @ 22.0A
A41-25-20	25	20VCT @ 1.25A	10V @ 2.5A
A41-43-20	43	20VCT @ 2.2A	10V @ 4.4A
A41-80-20	80	20VCT @ 4.0A	10V @ 8.0A
A41-130-20	130	20VCT @ 6.5A	10V @ 13.0A
A41-175-20	175	20VCT @ 8.8A	10V @ 17.6A
A41-25-24	25	24VCT @ 1.0A	12V @ 2.0A
A41-43-24	43	24VCT @ 1.8A	12V @ 3.6A
A41-80-24	80	24VCT @ 3.3A	12V @ 6.6A
A41-130-24	130	24VCT @ 5.4A	12V @ 10.8A
A41-175-24	175	24VCT @ 7.3A	12V @ 14.6A
A41-25-28	25	28VCT @ 0.9A	14V @ 1.86A
A41-43-28	43	28VCT @ 1.5A	14V @ 3.0A
A41-80-28	80	28VCT @ 2.8A	14V @ 5.6A
A41-130-28	130	28VCT @ 4.6A	14V @ 9.2A
A41-175-28	175	28VCT @ 6.25A	14V @ 12.5A
A41-25-36	25	36VCT @ 0.7A	18V @ 1.4A
A41-43-36	43	36VCT @ 1.2A	18V @ 2.4A
A41-80-36	80	36VCT @ 2.2A	18V @ 4.4A
A41-130-36	130	36VCT @ 3.6A	18V @ 7.2A
A41-175-36	175	36VCT @ 4.8A	18V @ 9.6A
A41-25-230	25	230VCT @ 0.11A	115V @ 0.22A
A41-43-230	43	230VCT @ 0.19A	115V @ 0.38A
A41-80-230	80	230VCT @ 0.35A	115V @ 0.7A
A41-130-230	130	230VCT @ 0.57A	115V @ 1.14A
A41-175-230	175	230VCT @ 0.76A	115V @ 1.52A



• Indicates like polarity

Note: VDE certified lead wire versions available.

©2006 Signal Transformer Inc. Specifications subject to change without notice. 07.06

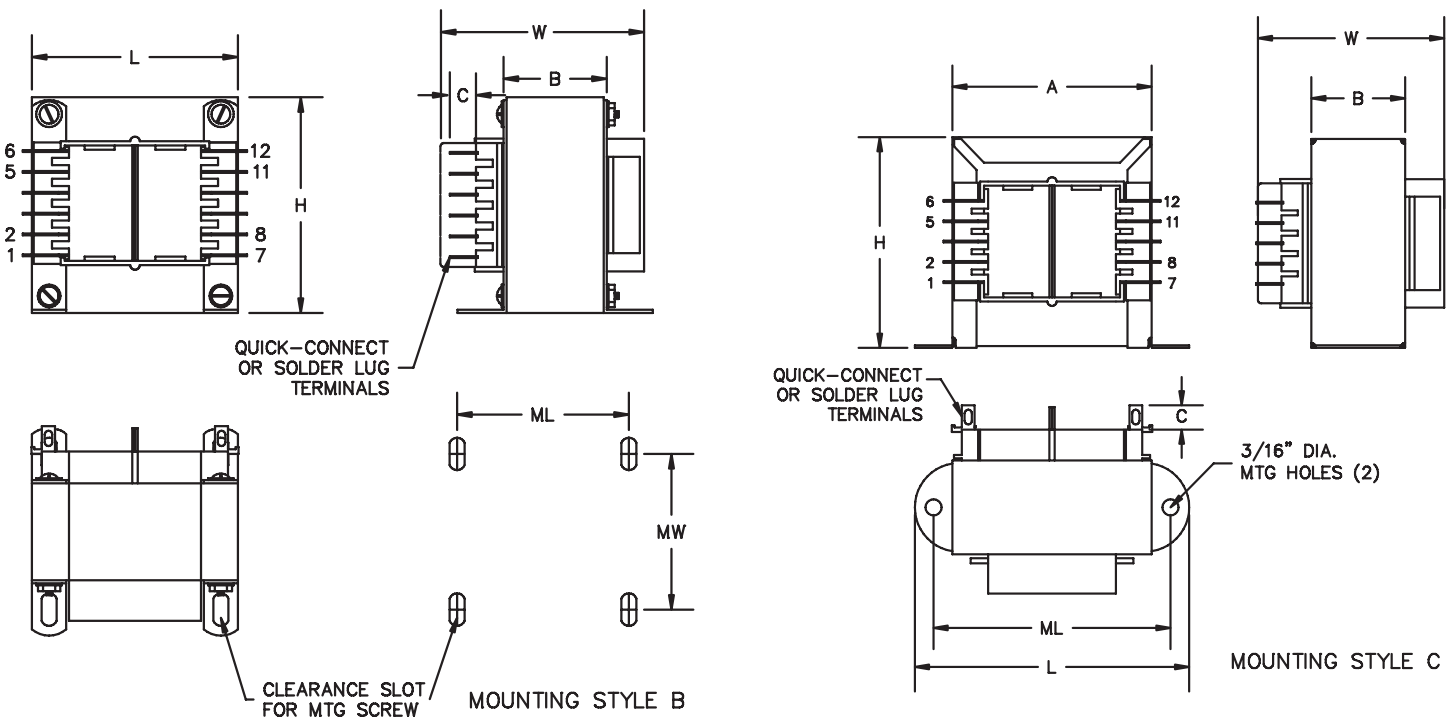
# All-4-One™ International Transformers

## Chassis Mount

International Standards at Lower Cost and Better Performance



VA	Dimensions						Terminals	Mounting Style	Mounting Dimensions		Mounting Screw	Weight
	L	W	H	A	B	C			ML	MW		
Size	Inches (mm)						Inches (mm)					lbs (kg)
25	2.81 (71.4)	2.14 (54.4)	2.31 (58.7)	2.00 (50.8)	1.12 (28.6)	.31 (7.9)	.187 (4.75)	C	2.37 (60.3)	-	#6	1.25 lbs (0.57)
43	3.12 (79.4)	2.14 (54.4)	2.68 (68.2)	2.25 (57.2)	1.12 (28.6)	.31 (7.9)	.187 (4.75)	C	2.81 (71.4)	-	#6	1.6 lbs (0.73)
80	2.50 (63.5)	2.52 (64.3)	3.00 (76.2)	-	1.37 (35.0)	.31 (7.9)	.187 (4.75)	B	2.00 (50.8)	2.18 (55.5)	#6	2.8 lbs (1.27)
130	2.81 (71.4)	3.00 (76.2)	3.37 (85.7)	-	1.62 (41.3)	.37 (9.5)	0.25 (6.35)	B	2.25 (57.2)	2.50 (63.5)	#8	4.1 lbs (1.86)
175	3.12 (79.4)	3.14 (79.7)	3.75 (95.3)	-	1.62 (41.3)	.37 (9.5)	0.25 (6.35)	B	2.50 (63.5)	2.50 (63.5)	#8	5.5 lbs (2.49)



©2006 Signal Transformer Inc. Specifications subject to change without notice. 07.06