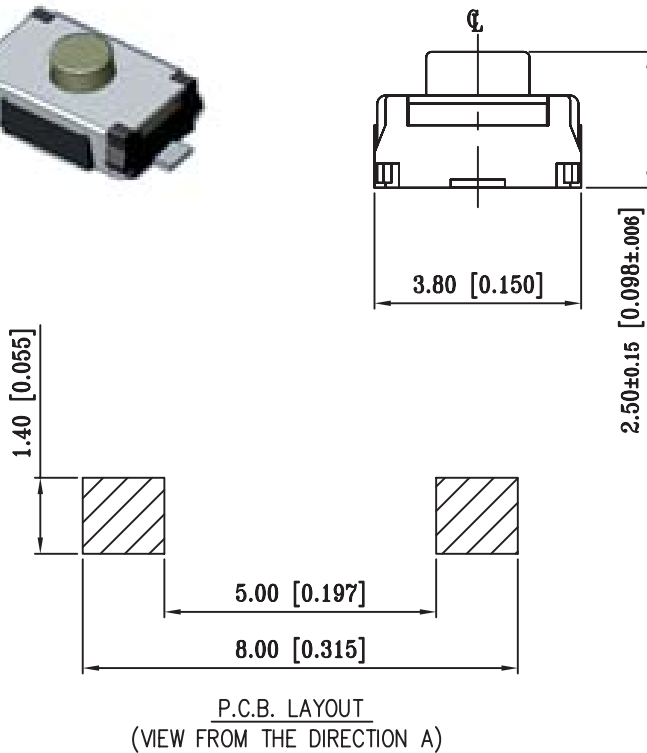


Tactile Switches

3.8x6 mm SMT Tactile Switch

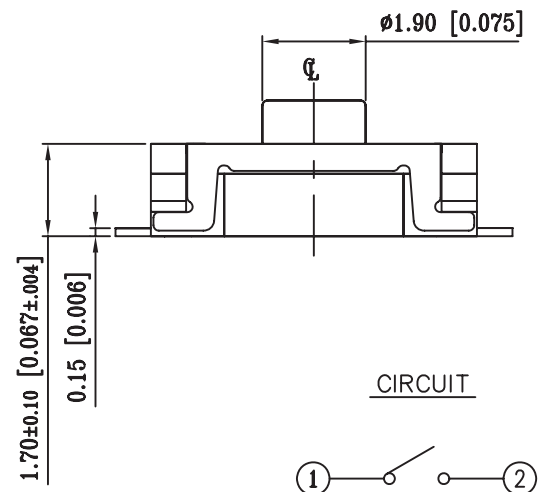
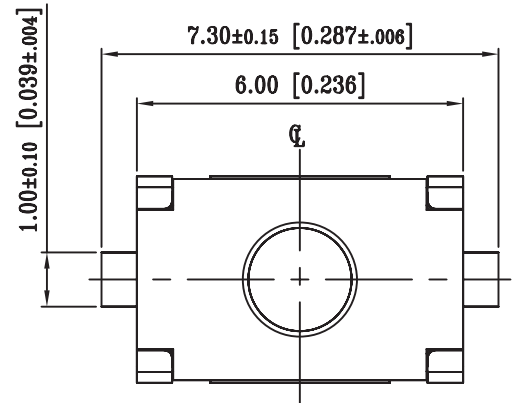
TP25 Series



NOTE:

1. ALL DIMENSIONS ARE IN MILLIMETERS.
BRACKETED DIMENSIONS ARE IN INCHES.
2. GENERAL TOLERANCES $\pm 0.2\text{mm}$
3. MECHANICAL:

Type	Operation Force	Operation Life	Travel	Contact Material
TP25KAGTR	200gf	200,000	0.30 \pm 0.15	Silver
TP25CAGTR	300gf	200,000	0.35 \pm 0.15	Silver
TP25JAGTR	400gf	100,000	0.45 \pm 0.15	Silver
TP25KAUTR	200gf	200,000	0.30 \pm 0.15	Gold
TP25CAUTR	300gf	200,000	0.35 \pm 0.15	Gold
TP25JAUTR	400gf	100,000	0.45 \pm 0.15	Gold



4. ELECTRICAL:

Switch Rating: 50 mA 12 V
 Contact Resistance: 100 m Ω MAX
 Insulation Resistance: DC 100V 100 M Ω MIN

How to order:

TP25 1 2 3

1 OPERATING FORCE:

K 200gf
 C 300gf
 J 400gf

2 DOME PLATING MATERIAL:

AG Silver
 AU Gold

3 PACKAGE STYLE:

TR Tape & Reel

