

**PLEASE CHECK WWW.MOLEX.COM FOR LATEST PART INFORMATION**

**Part Number:** [0587830010](#)  
**Status:** **Active**  
**Description:** HMC™ Rectangular Industrial Receptacle Shell Assembly, Single Module Type, For Large Plug Cover, For Panel Mount and Wire-to-Wire, 52 Circuits

**Documents:**

[Drawing \(PDF\)](#) [RoHS Certificate of Compliance \(PDF\)](#)  
[Product Specification PS-54478-001 \(PDF\)](#)

**Agency Certification**

CSA LR19980  
 UL E29179

**General**

Product Family I/O Connectors  
 Series [58783](#)  
 Application Panel-Mount, Wire-to-Wire  
 Component Type Panel-Mount Bracket  
 Product Name HMC™  
 Type N/A

**Physical**

Boot Color N/A  
 Circuits (Loaded) 52  
 Circuits (maximum) 52  
 Durability (mating cycles max) 50  
 Flammability 94V-0  
 Gender Receptacle  
 Lock to Mating Part Yes  
 Material - Plating Mating n/a  
 Number of Rows 4  
 Orientation Vertical  
 PCB Locator No  
 Packaging Type Bag  
 Panel Mount Screws  
 Pitch - Mating Interface (in) 0.177 In  
 Pitch - Mating Interface (mm) 4.50 mm  
 Pitch - Term. Interface (in) 0.177 In  
 Pitch - Term. Interface (mm) 4.50 mm  
 Polarized to Mating Part Yes  
 Ports 1  
 Surface Mount Compatible (SMC) No  
 Temperature Range - Operating -40°C to +125°C  
 Termination Interface: Style N/A  
 Waterproof / Dustproof Yes  
 Waterproof / Dustproof Type IP65

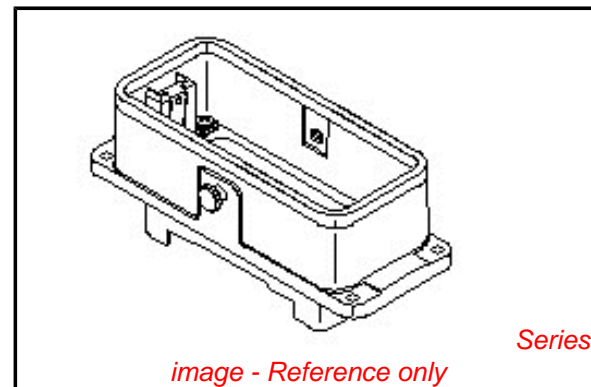
**Electrical**

Current - Maximum per Contact 10A  
 Shield Type Full Shield  
 Shielded Yes  
 Voltage - Maximum 300V DC (RMS)

**Material Info**

**Reference - Drawing Numbers**

Product Specification PS-54478-001



**EU RoHS**

**RoHS Compliant by Exemption**  
**REACH SVHC Not Reviewed**  
**Halogen-Free Status Not Reviewed**

**China RoHS**



**Need more information on product environmental compliance?**

Email [productcompliance@molex.com](mailto:productcompliance@molex.com)  
 For a multiple part number RoHS Certificate of Compliance, [click here](#)

Please visit the [Contact Us](#) section for any non-product compliance questions.

**Search Parts in this Series**

[58783Series](#)

**Mates With**

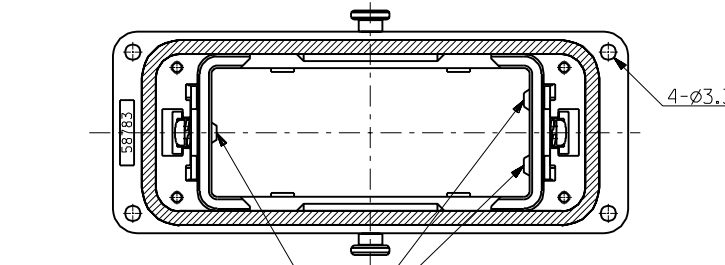
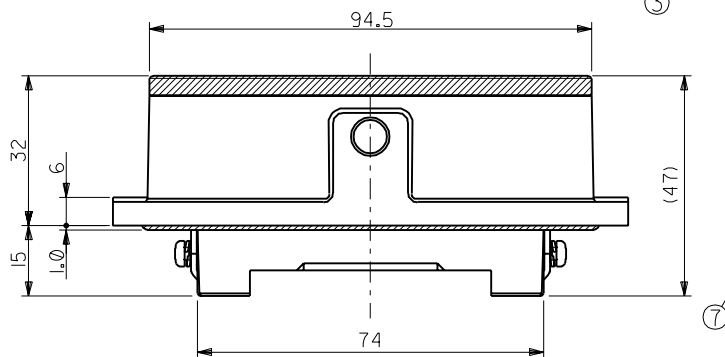
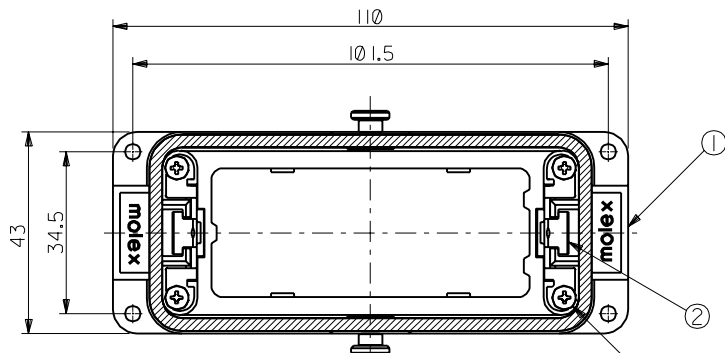
[58782-0010](#) Plug Shell Assembly

**Use With**

[58474](#) Wire-to-Wire Covers, [58550](#) End Bell Cap, [58455](#) End Bell Cap, [55347](#) Housing, [54478](#) Housing, [54296](#) Terminal, [55124](#) Terminal

This document was generated on 04/05/2010

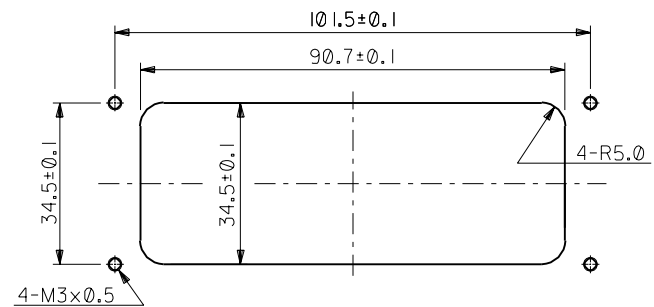
**PLEASE CHECK [WWW.MOLEX.COM](http://WWW.MOLEX.COM) FOR LATEST PART INFORMATION**



ハウジング挿入方向キー  
POLARIZATIONS KEY FOR HOUSING

M+ NOTES

- 適用ハウジングアッセンブリ  
APPLICABLE HOUSING ASS'Y  
55347-52\*5 (52 CKTS. MAIL HS'G ASS'Y)  
54478-52\*5 (52 CKTS. FEMAIL HS'G ASS'Y)
- 推奨ねじ締め付けトルク : 5 ~ 6kgf・cm  
RECOMMENDED SCREW TIGHTENING TORQUE : 5 ~ 6kgf・cm
- 適用ブランド圧着端子  
APPLICABLE CRIMP TERMINAL FOR GROUND  
活線と同等かそれ以上の電線サイズに適用した圧着端子を使用  
RING TERMINAL FOR POWER WIRE SIZE OR BIGGER ONE.



推奨パネル切り取り寸法  
RECOMMENDED PANEL OPENING

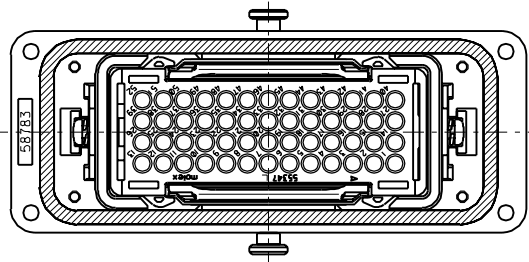
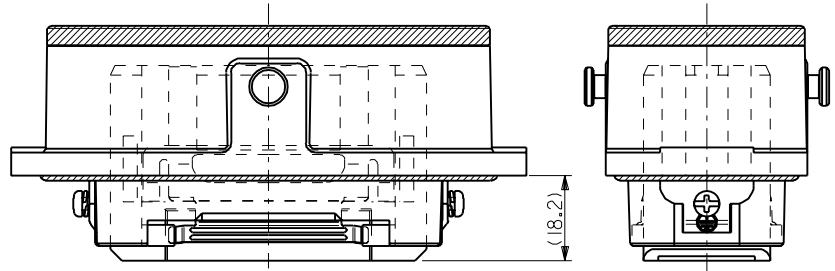
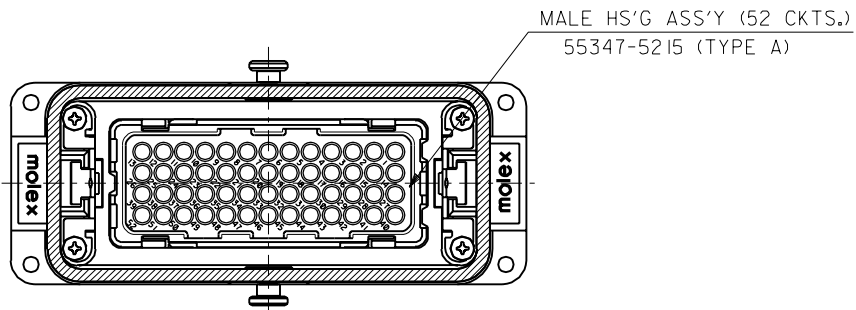
⑧	ばね座金組込み プライメーねじ (M3 X 5) FREE DRIVE HEAD SCREWS WITH SPRING WASHER(M3 5)	鋼, ニッケルメッキ STEEL, NI PLATING	2	58783-0010
⑦	リセプタクル ラバー B RECEPTACLE RUBBER B	合成ゴム SYNTHETIC RUBBER	1	
⑥	スリーブ SLEEVE	ステンレス STAINLESS STEEL	2	
⑤	リセプタクル ロックピン RECEPTACLE LOCKING PIN	ステンレス STAINLESS STEEL	2	
④	リセプタクル ラバー A RECEPTACLE RUBBER A	合成ゴム SYNTHETIC RUBBER	1	
③	固定ネジ (M2.5 X 4) SCREW (M2.5 X 4)	鋼, ニッケルメッキ STEEL, NI PLATING	4	
②	リセプタクル ブランド ターミナル RECEPTACLE GROUND TERMINAL	黄銅, ニッケルメッキ BRASS, NI PLATING	2	
①	リセプタクル シェル RECEPTACLE SHELL	アルミニウム合金 ALUMINIUM ALLOY	1	
部番 NO.	部品名 PARTS NAME	材質 MATERIAL	個数 QUAN.	製品番号 ENG. NO.

角度 ANGLE	±3°
30以上 OVER	+0.3
10以上 30未満 OVER UNDER	+0.25
10未満 UNDER	+0.2
一般公差 GENERAL TOLERANCES	

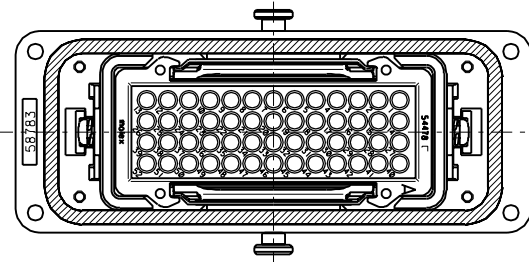
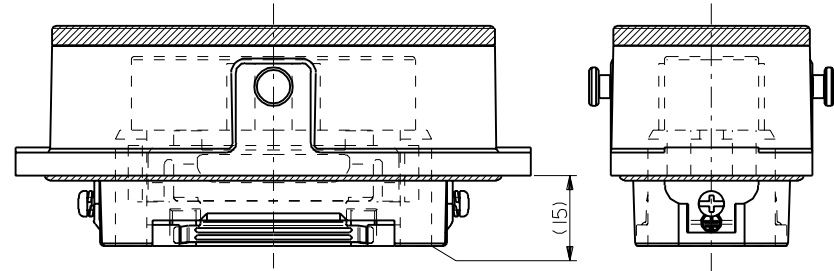
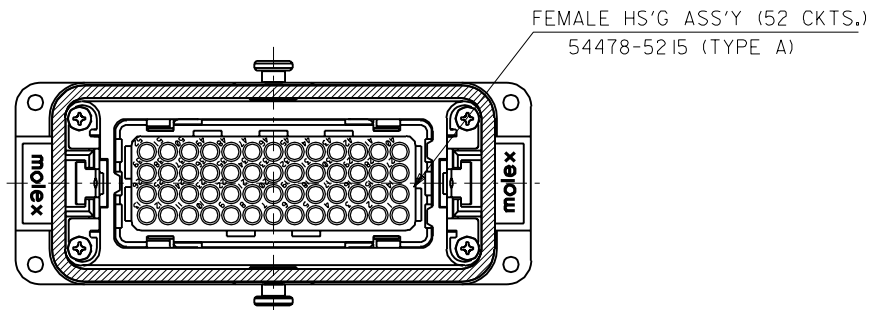
材料 MATERIAL	表参照 SEE TABLE
仕上げ FINISH	—#
適用電線範囲 WIRE RANGE	—#
被覆外径 INS. RANGE	—#
DRAWN BY Y. J.	CHK'D BY Y. Ota
APPROVED Y. J.	DATE 98/11/06
REVISION RECORD	DR. DATE
尺度 SCALE	1-1

MOLEX-JAPAN CO.,LTD. 日本モレックス株式会社	
REVISE ONLY ON CAD SYSTEM	
TITLE 名称 ROBOT CONN. REC. SHELL ASS'Y (LARGE)	
DWG. NO.	(SHEET 1 OF 2) REV
SD-58783-0010	0

DWG. NO. SD-58783-0010  
 DIMENSIONS IN METRIC DO NOT SCALE DRAWING



メイルハウジングアッセンブリ装着状態図  
FIGURE OF MALE HOUSING ASS'Y WHEN ASSEMBLED



フィメイルハウジングアッセンブリ装着状態図  
FIGURE OF FEMALE HOUSING ASS'Y WHEN ASSEMBLED

角度 ANGLE		+3°				材料 MATERIAL	SEE SHEET 1 OF 2	MOLEX-JAPAN CO.,LTD. 日本モレックス株式会社
30以上 OVER		+0.3				仕上げ FINISH	—	
10以上 OVER	30未満 UNDER	+0.25				適用電線範囲 WIRE RANGE	—	TITLE 名称
10未満 UNDER		+0.2				被覆外径 INS. RANGE	—	ROBOT CONN. REC. SHELL ASS'Y (LARGE)
一般公差 GENERAL TOLERANCES			記号 LTR	変更内容 REVISION RECORD	DR. CHR.	日付 DATE	APP'D BY	DWG. NO. (SHEET 2 OF 2) REV
				SEE SHEET 1 OF 2			CHK'D BY	SD-58783-0010 0
							尺度 SCALE	1-1

THIS DRAWING CONTAINS INFORMATION THAT IS PROPRIETARY TO MOLEX(JAPAN) AND SHOULD NOT BE USED WITHOUT WRITTEN PERMISSION  
 本図面は日本モレックス(株)の所有する情報を含むもので 当社の許可なく複製を禁止する。  
 EN-01C(032)MXJ-32

SD-58783-0010.DWG