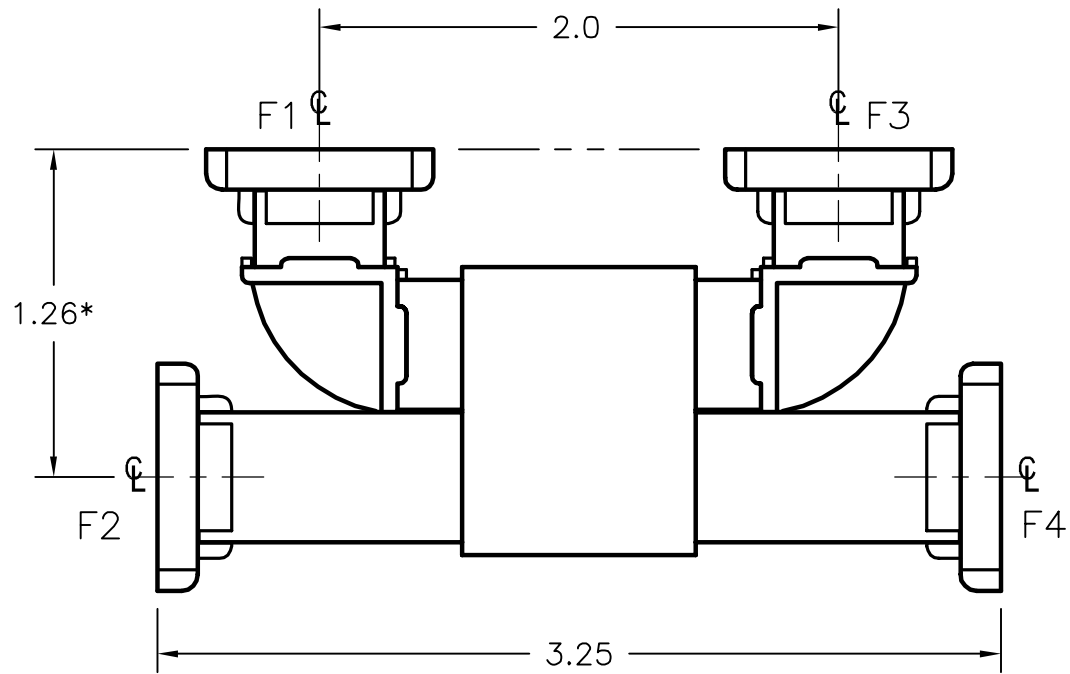


REV <b>A</b>	AUTH <b>JLE</b>	DATE <b>10/17/06</b>	INITIAL RELEASE
REV <b>B</b>	AUTH <b>JLE</b>	DATE <b>05/23/05</b>	NOTES UPDATED
REV <b>C</b>	AUTH <b>RL</b>	DATE <b>10/26/06</b>	FORMAT UPDATE; NOTES, TOLERANCES CORRECTED.



\*MAY VARY BY 0.050" FOR MODEL 42-263A/B-F1-F2-F3-F4 ONLY.

FREQ.	MODEL NUMBER
17.6-20.0 GHz	42-261A/B-Z-F1-F2-F3-F4
19.3-22.0 GHz	42-262A/B-Z-F1-F2-F3-F4
22.5-26.0 GHz	42-263A/B-Z-F1-F2-F3-F4

NOTE: REPLACE "F1, F2, F3, & F4" NOTATION WITH NUMBER CORRESPONDING TO FLANGE TYPE DESIRED, AS SHOWN ON TABLE BELOW.

FLANGE TYPE
6 = UG COVER
7 = UG CHOKE
8 = COVER GROOVE

THIRD ANGLE PROJECTION:		APPROVALS	DATE	<b>ADVANCED TECHNICAL MATERIALS, INC.</b> TEL: (631) 289-0363 FAX: (631) 289-0358 www.atmmicrowave.com	THE INFORMATION IN THIS DRAWING IS PROPRIETARY AND SHALL NOT BE USED OR DISCLOSED WITHOUT THE PRIOR WRITTEN CONSENT OF ATM INC. DO NOT SCALE DWG.		
UNLESS OTHERWISE NOTED, DIMENSIONS ARE IN INCHES, TOLERANCES ARE: FRACTIONS: $\pm 1/64$ ANGLES: $\pm 1/2^\circ$		DRAWN <b>JLE</b>	<b>10/16/02</b>				
BASIC DIMENSION	DECIMALS 2 PLACE    3 PLACE	CHKD.	APRVD.	<b>OUTLINE, WR42 HYBRID COUPLER (COMBINER-DIVIDER)</b>			
UNDER 6"	$\pm .02$ $\pm .005$	MATERIAL <b>PER ORDER</b>					
6" - 12"	$\pm .03$ $\pm .010$	TREATMENT <b>-</b>					
OVER 12"	$\pm .06$ $\pm .015$	FINISH <b>ATM GREY</b>		SIZE <b>A</b>	CAGE CODE 0R8N4	ATM DWG # <b>5230W</b>	REVISION <b>C</b>
				SCALE <b>NONE</b>	MODEL # <b>42-26XX-Z-F1-F2-F3-F4</b>	SHEET <b>1/1</b>	