

## GSC385-BAL2000

2GHz Band Chip Balun

Inquiry

Compact & High power capability.

### Application

for RF power amplifier (Base station)

### Characteristics

#### GSC385-BAL2000

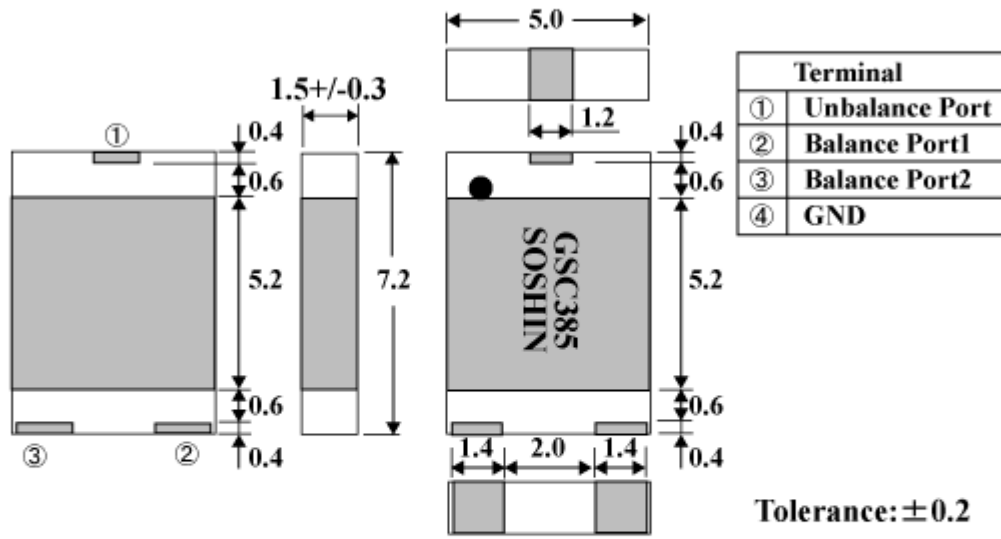
Frequency Range	1800-2200MHz
Balanced Impedance	50 ohm Nominal ( 2<-->3 )
Unbalanced Impedance	50 ohm Nominal (1)
Phase Balance	180+/-5 Degrees ( 2<-->3 )
Amplitude level balance	0.35dB max. (Typ. 0.2dB)
Insertion Loss	0.2dB max. at 25 Deg.C (Typ. 0.15dB)
V.S.W.R(Unbalance port)	1.2 max (1800-2200MHz)
Input Power	200W Avg/CW
Operating Temperature	-40 up to 125 Deg.C
Storage Temperature	-40 up to 85 Deg.C (-20 up to 35 Deg.C for tape and reel materials)

### Number of ordered pieces

1000pcs/Reel

### Dimensions

**Dimension(Unit : mm)**

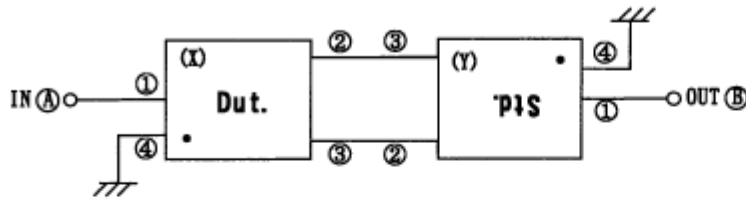


Measurement circuit

## Measuring Circuit

1 All items of electrical characteristics shall be measured on test fixture which is decided by supplier.

2 Insertion Loss · V.S.W.R measurement. (Measured 2pcs in series)

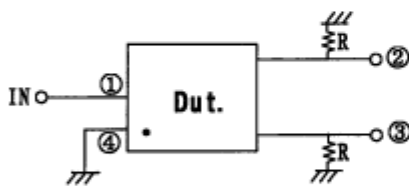


(1) Measurement value =  $IL(X) + IL(Y)$

$IL(X)$  = Test sample Insertion Loss

$IL(Y)$  = Standard sample Insertion Loss

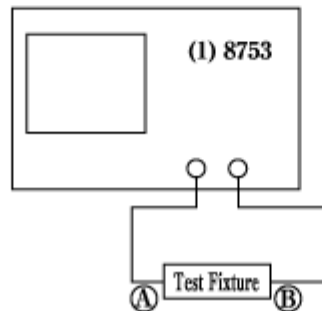
3 Amplitude level Balance and Phase balance measurement



4 Measuring Equipment (Reference)

(1) NETWORK ANALYZER 8753

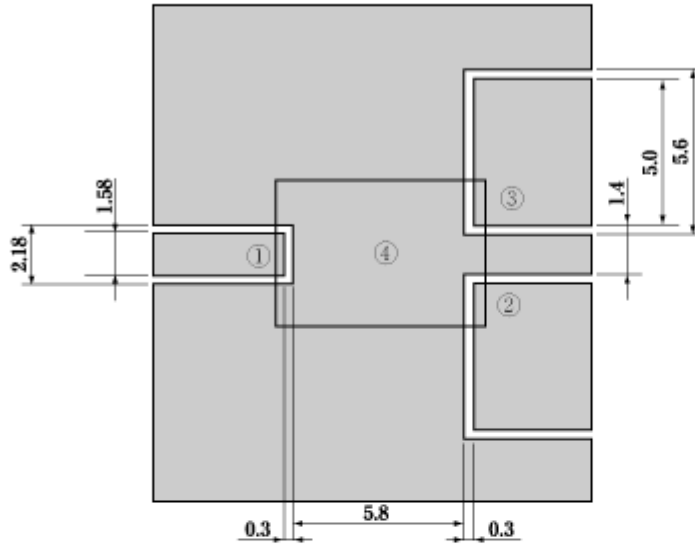
Agilent Technologies



Recommended pattern (Unit:mm)

## Measurement board pattern

(Example :  $\epsilon = 2.6$ ,  $t = 0.8\text{mm}$  Double side printed circuit board)



Terminal	
①	Unbalance Port
②	Balance Port 1
③	Balance Port 2
④	GND

## Resist pattern

