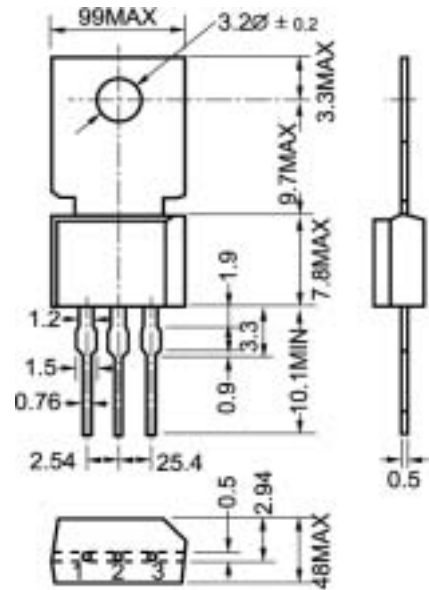
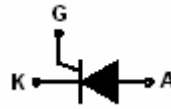


**X0402MF****◆ Features**

- With TO-202 package
- 1 cathode 2 anode 3 gate
- Highly sensitive triggering levels
- For capacitive discharge ignitions, motor control  
In kitchen aids , overvoltage crowbar protection  
In low power supplies applications

**◆ QUICK REFERENCE DATA**

SYMBOL	PARAMETER	MIN	UNIT
$V_{DRM}$	Repetitive peak off-state voltage	600	V
$V_{RRM}$	Repetitive peak reverse voltage	600	V
$I_{T(AV)}$	Average on-state current	4	A
$I_{TSM}$	Non-repetitive peak on-state current	20	A
$T_j$	Junction temperature	110	
$T_{stg}$	Storage temperature	-40 ~150	

**◆ LIMITING VALUES****ELECTRICAL CHARACTERISTICS (T<sub>J</sub>=25 °C, unless otherwise specified)**

SYMBOL	PARAMETER	CONDITIONS	MIN	MAX	UNIT
$V_{DRM}$	Repetitive peak off-state voltage	$I_D=0.1mA$	600		V
$V_{RRM}$	Repetitive peak reverse voltage	$I_D=0.1mA$	600		V
$I_{DRM}$	Repetitive peak off-state current	$V_{DRM}=600V$		5	$\mu A$
$I_{RRM}$	Repetitive peak reverse current	$V_{RRM}=600V$		5	$\mu A$
$V_{TM}$	On-state voltage	$I_T=4A$		1.7	V
$I_H$	Holding current	$I_T=0.05A$		5	mA
$I_{GT}$	Gate trigger current	$V_D=12V; R_L=140$	5	200	$\mu A$
$V_{GT}$	Gate trigger voltage	$V_D=12V; R_L=140$		0.8	V
$V_{GD}$	Gate non-trigger voltage	$V_{DRM}=400V, R_{GR}=1k; T_j=110$	0.1		V