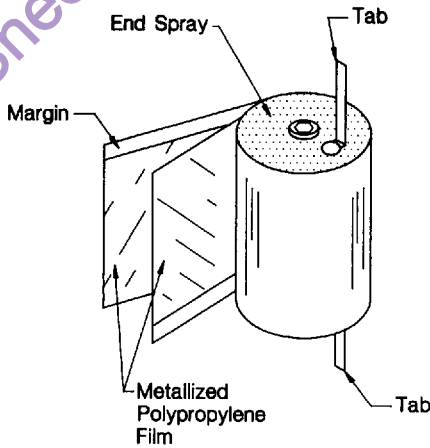


## METALLIZED POLYPROPYLENE FILM CAPACITORS — Metal Case

### Features

- Oval and round case styles
- Up to 100°C operation
- Voltage range of 240VAC to 525VAC
- Single and dual capacitance ratings
- Self-clearing capability
- Low energy consumption
- Capacitance range of 3 to 75 $\mu$ F, depending on voltage and temperature rating



### Application

With a voltage range of 240VAC to 525VAC, SuperMet is designed for HID and Fluorescent Lighting, Electronic Power Conversion Equipment, Air-Conditioning and Motor Run applications.

Aerovox also offers dual-rated capacitors in two constructions: First, a concentrically wound, round case configuration and secondly, two side-by-side sections in an oval case. The concentric winding provides dual capacitance in a smaller size, resulting in space, weight and freight savings. Dual concentric products are offered for 370 and 440 VAC motor run applications.

### Construction

The SuperMet capacitor design consists of two sheets of polypropylene film, each with a thin layer of vacuum deposited metal on one side which serves as the capacitor electrode. The capacitor can be filled with Supernol® fluid. Because the metal electrode is just a few hundred angstroms thick, it has a very limited current carrying capability at any one point. To compensate for this limitation the edge of each electrode is bonded by a metal endspray that has a relatively high current carrying capacity. The endspray serves as the connection surface for one end of each tab. The other end of each tab is subsequently welded to the appropriate rivet on the cover assembly. This type of construction distributes the current over the entire electrode.

Each capacitor is filled with an Aerovox-patented Supernol fluid which is environmentally compatible and biodegradable. The fluid suppresses the degrading effects of corona at the edge of the metallized film and improves heat transfer resulting in outstanding capacitance stability and long term reliability.

Each capacitor incorporates the AeroSafe pressure sensitive interrupter. Refer to chart below for UL fault current codes.

SuperMet capacitors are self-clearing. This capability is the property of the capacitor to restore itself to an operating condition should a breakdown occur at any point in the dielectric system during its operation. Short circuits are virtually eliminated. The thin metal layer around the fault site will act like a fuse with a very low current rating. Under a fault condition, the current will evaporate the metal at the fault site and clear the fault. This effectively isolates and removes the defect from the capacitor circuit. The evaporation of the electrode at that point will result in a capacitance loss that is virtually unmeasurable. The self-clearing capability further restricts the maximum current which can pass through this fault. Typically, the current peaks due to a fault in a metallized polypropylene capacitor are less than 200 amps and exist for only a few microseconds, regardless of the available fault current.

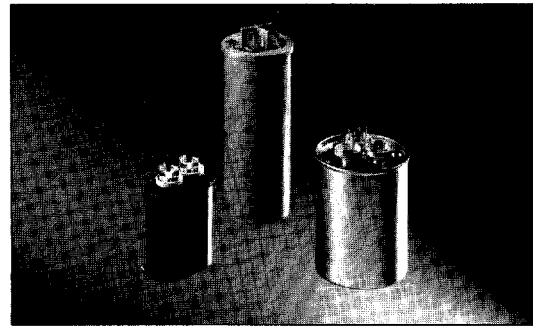
SuperMet®				
U.L. 810 Fault Current Ratings				
CASE BASE SIZE	CASE STYLE	MAXIMUM RMS VOLTAGE	MAXIMUM AVAILABLE FAULT CURRENT	PROTECTION CODE
1¼" OVAL	A	600	10000	A10000AFC
1½" OVAL	B	600	10000	B10000AFC
1¾" OVAL	C	600	10000	C10000AFC
2" OVAL	D	600	10000	D10000AFC
1¾" ROUND	P	600	10000	P10000AFC
2" ROUND	S	600	10000	S10000AFC
2½" ROUND	T	600	10000	T10000AFC

### Patents

Supernol Fluid — Patent Issued

# Motor Run Capacitors

AeroMet® II					
Standard Sizes For Ratings At 70°C Case Temperature					
240 VAC					
CATALOG PART NUMBER	MFD	CASE STYLE	BASE SIZE IN.	CASE HEIGHT	
				IN.	mm
M22P2405M00	5	MM	1.50	2.62	66.5
M22P2406M00	6	MM	1.50	2.62	66.5
M22P2407N00	7.5	MM	1.50	2.62	66.5
M22P2410M00	10	MM	1.50	2.62	66.5
M22P2412N00	12.5	MM	1.50	2.62	66.5
M22P2415M00	15	MM	1.50	3.15	80.0
M23P2415M00	15	PP	1.75	2.62	66.5
M22P2417N00	17.5	MM	1.50	3.15	80.0
M23P2417N00	17.5	PP	1.75	2.62	66.5
M22P2420M00	20	MM	1.50	3.64	92.5
M23P2420M00	20	PP	1.75	2.62	66.5
M23P2425M00	25	PP	1.75	3.15	80.0
M23P2430M00	30	PP	1.75	3.15	80.0
M23P2435M00	35	PP	1.75	3.64	92.5
M23P2440M00	40	PP	1.75	4.13	104.9
M23P2445M00	45	PP	1.75	4.13	104.9
M23P2450M00	50	PP	1.75	4.63	117.6
M23P2455M00	55	PP	1.75	5.12	130.0
M23P2460M00	60	PP	1.75	5.12	130.0
M26P2465M00	65	TT	2.50	3.64	92.5
M26P2470M00	70	TT	2.50	4.13	104.9
M26P2475M00	75	TT	2.50	4.13	104.9



**MOTOR CAPACITORS** — The permanent split-phase capacitor motor, widely used in refrigeration and air conditioners, utilizes an AC oil capacitor to provide starting direction by shifting the current in one set of windings so that the motor simulates the operation of a two-phase motor. Both windings are designed for continuous duty. After providing the starting torque, the capacitor remains in the circuit to provide power factor correction in the running phase. This type of motor requires low starting current and is one of the quietest, smoothest and most efficient motors of all single-phase designs. A complete line of products is offered in round plastic and round and oval metal cased designs.

SuperMet®					
Round Case 70°C Case Temperature					
240 VAC					
CATALOG PART NUMBER	MFD	CASE STYLE	BASE SIZE IN.	CASE HEIGHT	
				IN.	mm
Z23P2404M	4	P	1.75	2.38	60.3
Z23P2405M	5	P	1.75	2.38	60.3
Z23P2406M	6	P	1.75	2.38	60.3
Z23P2407N	7.5	P	1.75	2.38	60.3
Z23P2410M	10	P	1.75	2.38	60.3
Z23P2412N	12.5	P	1.75	2.38	60.3
Z23P2415M	15	P	1.75	2.38	60.3
Z23P2417N	17.5	P	1.75	2.38	60.3
Z23P2420M	20	P	1.75	2.38	60.3
Z23P2425M	25	P	1.75	2.38	60.3
Z23P2430M	30	P	1.75	2.75	69.9
Z23P2435M	35	P	1.75	2.75	69.9
Z23P2440M	40	P	1.75	3.25	82.6
Z23P2445M	45	P	1.75	3.25	82.6
Z23P2450M	50	P	1.75	3.75	95.3
Z24P2455M	55	S	2.00	3.25	82.6
Z24P2460M	60	S	2.00	3.75	95.3
Z26P2465M	65	T	2.50	3.25	82.6
Z26P2470M	70	T	2.50	3.75	95.3
Z26P2475M	75	T	2.50	3.75	95.3

SuperMet®					
Oval Case 70°C Case Temperature					
240 VAC					
CATALOG PART NUMBER	MFD	CASE STYLE	BASE SIZE IN.	CASE HEIGHT	
				IN.	mm
Z50P2404M	4	A	1.25	1.56	39.7
Z50P2405M	5	A	1.25	1.56	39.7
Z50P2406M	6	A	1.25	1.56	39.7
Z50P2407N	7.5	A	1.25	2.38	60.3
Z50P2410M	10	A	1.25	2.38	60.3
Z50P2412N	12.5	A	1.25	2.75	69.9
Z50P2415M	15	A	1.25	2.75	69.9
Z50P2417N	17.5	A	1.25	3.25	82.6
Z50P2420M	20	A	1.25	3.25	82.6
Z64P2420M	20	C	1.75	2.38	60.3
Z64P2425M	25	C	1.75	2.38	60.3
Z64P2430M	30	C	1.75	2.75	69.9
Z64P2435M	35	C	1.75	2.75	69.9
Z64P2440M	40	C	1.75	2.75	69.9
Z64P2445M	45	C	1.75	3.25	82.6
Z64P2450M	50	C	1.75	3.25	82.6
Z64P2455M	55	C	1.75	3.75	95.3
Z64P2460M	60	C	1.75	3.75	95.3
Z62P2465M	65	D	2.00	3.25	82.6
Z62P2470M	70	D	2.00	3.25	82.6
Z62P2475M	75	D	2.00	3.25	82.6

# Motor Run Capacitors

<b>AeroMet® II</b>					
Standard Sizes For Ratings At 70°C Case Temperature					
370 VAC					
CATALOG PART NUMBER	MFD	CASE STYLE	BASE SIZE IN.	CASE HEIGHT	
				IN.	mm
M22P3703M00	3	MM	1.50	2.62	66.5
M22P3704M00	4	MM	1.50	2.62	66.5
M22P3705M00	5	MM	1.50	2.62	66.5
M22P3706M00	6	MM	1.50	2.62	66.5
M22P3707N00	7.5	MM	1.50	2.62	66.5
M22P3710M00	10	MM	1.50	3.15	80.0
M23P3710M00	10	PP	1.75	2.62	66.5
M22P3712N00	12.5	MM	1.50	3.15	80.0
M23P3712N00	12.5	PP	1.75	2.62	66.5
M22P3715M00	15	MM	1.50	3.64	92.5
M23P3715M00	15	PP	1.75	2.62	66.5
M23P3717N00	17.5	PP	1.75	3.15	80.0
M23P3720M00	20	PP	1.75	3.15	80.0
M23P3725M00	25	PP	1.75	3.64	92.5
M23P3730M00	30	PP	1.75	4.13	104.9
M23P3735M00	35	PP	1.75	4.63	117.6
M23P3740M00	40	PP	1.75	5.12	130.0
M24P3745M00	45	SS	2.00	4.13	104.9
M24P3750M00	50	SS	2.00	4.63	117.6
M24P3755M00	55	SS	2.00	5.12	130.0
M24P3760M00	60	SS	2.00	5.12	130.0
M26P3765M00	65	TT	2.50	3.64	92.5
M26P3770M00	70	TT	2.50	4.13	104.9
M26P3775M00	75	TT	2.50	4.13	104.9

<b>SuperMet®</b>					
Oval Case 70°C Case Temperature					
370 VAC					
CATALOG PART NUMBER	MFD	CASE STYLE	BASE SIZE IN.	CASE HEIGHT	
				IN.	mm
Z50P3703M	3	A	1.25	1.56	39.7
Z50P3704M	4	A	1.25	1.56	39.7
Z50P3705M	5	A	1.25	1.56	39.7
Z50P3706M	6	A	1.25	2.38	60.3
Z50P3707N	7.5	A	1.25	2.38	60.3
Z50P3710M	10	A	1.25	2.75	69.9
Z50P3712N	12.5	A	1.25	3.25	82.6
Z50P3715M	15	A	1.25	3.75	95.3
Z50P3717N	17.5	A	1.25	4.25	108.0
Z64P3717N	17.5	C	1.75	2.38	60.3
Z50P3720M	20	A	1.25	4.25	108.0
Z64P3720M	20	C	1.75	2.38	60.3
Z64P3725M	25	C	1.75	2.75	69.9
Z64P3730M	30	C	1.75	3.25	82.6
Z64P3735M	35	C	1.75	3.25	82.6
Z64P3740M	40	C	1.75	3.75	95.3
Z64P3745M	45	C	1.75	4.25	108.0
Z64P3750M	50	C	1.75	4.25	108.0
Z64P3755M	55	C	1.75	4.75	120.7
Z62P3760M	60	D	2.00	3.25	82.6
Z62P3765M	65	D	2.00	3.25	82.6
Z62P3770M	70	D	2.00	3.25	82.6
Z62P3775M	75	D	2.00	3.25	82.6

<b>SuperMet®</b>					
Round Case 70°C Case Temperature					
370 VAC					
CATALOG PART NUMBER	MFD	CASE STYLE	BASE SIZE IN.	CASE HEIGHT	
				IN.	mm
Z23P3704M	4	P	1.75	2.38	60.3
Z23P3705M	5	P	1.75	2.38	60.3
Z23P3706M	6	P	1.75	2.38	60.3
Z23P3707N	7.5	P	1.75	2.38	60.3
Z23P3710M	10	P	1.75	2.38	60.3
Z23P3712N	12.5	P	1.75	2.38	60.3
Z23P3715M	15	P	1.75	2.38	60.3
Z23P3717N	17.5	P	1.75	2.38	60.3
Z23P3720M	20	P	1.75	2.75	69.9
Z23P3725M	25	P	1.75	3.25	82.6
Z23P3730M	30	P	1.75	3.25	82.6
Z23P3735M	35	P	1.75	3.75	95.3
Z24P3740M	40	S	2.00	3.25	82.6
Z24P3745M	45	S	2.00	3.75	95.3
Z24P3750M	50	S	2.00	3.75	95.3
Z24P3755M	55	S	2.00	4.25	108.0
Z26P3760M	60	T	2.50	3.25	82.6
Z26P3765M	65	T	2.50	3.25	82.6
Z26P3770M	70	T	2.50	3.75	95.3
Z26P3775M	75	T	2.50	3.75	95.3

<b>AeroMet® II</b>					
Standard Sizes For Ratings At 70°C Case Temperature					
440 VAC					
CATALOG PART NUMBER	MFD	CASE STYLE	BASE SIZE IN.	CASE HEIGHT	
				IN.	mm
M22P4403M00	3	MM	1.50	2.62	66.5
M22P4404M00	4	MM	1.50	2.62	66.5
M22P4405M00	5	MM	1.50	2.62	66.5
M22P4406M00	6	MM	1.50	2.62	66.5
M22P4407N00	7.5	MM	1.50	3.15	80.0
M23P4407N00	7.5	PP	1.75	2.62	66.5
M22P4410M00	10	MM	1.50	3.64	92.5
M23P4410M00	10	PP	1.75	2.62	66.5
M23P4412N00	12.5	PP	1.75	3.15	80.0
M23P4415M00	15	PP	1.75	3.15	80.0
M23P4417N00	17.5	PP	1.75	3.64	92.5
M23P4420M00	20	PP	1.75	4.13	104.9
M23P4425M00	25	PP	1.75	4.63	117.6
M24P4430M00	30	SS	2.00	4.13	104.9
M24P4435M00	35	SS	2.00	4.63	117.6
M26P4440M00	40	TT	2.50	3.64	92.5
M26P4445M00	45	TT	2.50	3.64	92.5
M26P4450M00	50	TT	2.50	4.13	104.9
M26P4455M00	55	TT	2.50	4.13	104.9
M26P4460M00	60	TT	2.50	5.12	130.0

# Motor Run Capacitors

SuperMet®					
Round Case 70°C Case Temperature					
440 VAC					
CATALOG PART NUMBER	MFD	CASE STYLE	BASE SIZE IN.	CASE HEIGHT	
				IN.	mm
Z23P4403M	3	P	1.75	2.38	60.3
Z23P4404M	4	P	1.75	2.38	60.3
Z23P4405M	5	P	1.75	2.38	60.3
Z23P4406M	6	P	1.75	2.38	60.3
Z23P4407N	7.5	P	1.75	2.38	60.3
Z23P4410M	10	P	1.75	2.38	60.3
Z23P4412N	12.5	P	1.75	2.38	60.3
Z23P4415M	15	P	1.75	2.75	69.9
Z23P4417N	17.5	P	1.75	2.75	69.9
Z23P4420M	20	P	1.75	3.25	82.6
Z23P4425M	25	P	1.75	3.75	95.3
Z24P4430M	30	S	2.00	3.75	95.3
Z24P4435M	35	S	2.00	3.75	95.3
Z24P4440M	40	S	2.00	4.25	108.0
Z26P4445M	45	T	2.50	3.25	82.6
Z26P4450M	50	T	2.50	3.25	82.6
Z26P4455M	55	T	2.50	3.75	95.3
Z26P4460M	60	T	2.50	3.75	95.3

SuperMet®					
Oval Case 70°C Case Temperature					
440 VAC					
CATALOG PART NUMBER	MFD	CASE STYLE	BASE SIZE IN.	CASE HEIGHT	
				IN.	mm
Z50P4403M	3	A	1.25	1.56	39.7
Z50P4404M	4	A	1.25	2.38	60.3
Z50P4405M	5	A	1.25	2.38	60.3
Z50P4406M	6	A	1.25	2.75	69.9
Z50P4407N	7.5	A	1.25	2.75	69.9
Z50P4410M	10	A	1.25	3.25	82.6
Z50P4412N	12.5	A	1.25	3.75	95.3
Z64P4415M	15	C	1.75	2.75	69.9
Z64P4417N	17.5	C	1.75	2.75	69.9
Z64P4420M	20	C	1.75	2.75	69.9
Z64P4425M	25	C	1.75	3.25	82.6
Z64P4430M	30	C	1.75	3.75	95.3
Z64P4435M	35	C	1.75	4.25	108.0
Z62P4440M	40	D	2.00	2.75	69.9
Z62P4445M	45	D	2.00	3.25	82.6
Z62P4450M	50	D	2.00	3.25	82.6
Z62P4455M	55	D	2.00	3.75	95.3
Z62P4460M	60	D	2.00	3.75	95.3

AeroMet® II					
Standard Sizes For Ratings At 70°C Case Temperature					
480 VAC					
CATALOG PART NUMBER	MFD	CASE STYLE	BASE SIZE IN.	CASE HEIGHT	
				IN.	mm
M22P4803M00	3	MM	1.50	2.62	66.5
M22P4804M00	4	MM	1.50	2.62	66.5
M22P4805M00	5	MM	1.50	2.62	66.5
M22P4806M00	6	MM	1.50	3.15	80.0
M22P4807N00	7.5	MM	1.50	3.64	92.5
M23P4810M00	10	PP	1.75	3.15	80.0
M23P4812N00	12.5	PP	1.75	3.64	92.5
M23P4815M00	15	PP	1.75	4.13	104.9
M23P4817N00	17.5	PP	1.75	4.13	104.9
M23P4820M00	20	PP	1.75	4.63	117.6
M24P4825M00	25	SS	2.00	4.13	104.9
M24P4830M00	30	SS	2.00	4.63	117.6
M24P4835M00	35	SS	2.00	5.12	130.0
M26P4840M00	40	TT	2.50	4.13	104.9
M26P4845M00	45	TT	2.50	4.13	104.9

SuperMet®					
Round Case 70°C Case Temperature					
480 VAC					
CATALOG PART NUMBER	MFD	CASE STYLE	BASE SIZE IN.	CASE HEIGHT	
				IN.	mm
Z23P4803M	3	P	1.75	2.38	60.3
Z23P4804M	4	P	1.75	2.38	60.3
Z23P4805M	5	P	1.75	2.38	60.3
Z23P4806M	6	P	1.75	2.38	60.3
Z23P4807N	7.5	P	1.75	2.38	60.3
Z23P4810M	10	P	1.75	2.75	69.9
Z23P4812N	12.5	P	1.75	2.75	69.9
Z23P4815M	15	P	1.75	3.25	82.6
Z23P4817N	17.5	P	1.75	3.75	95.3
Z23P4820M	20	P	1.75	3.75	95.3
Z23P4825M	25	P	1.75	4.75	120.7
Z24P4830M	30	S	2.00	4.25	108.0
Z24P4835M	35	S	2.00	4.75	120.7
Z26P4840M	40	T	2.50	3.75	95.3

# Motor Run Capacitors

SuperMet®					
Oval Case 70°C Case Temperature					
480 VAC					
CATALOG PART NUMBER	MFD	CASE STYLE	BASE SIZE IN.	CASE HEIGHT	
				IN.	mm
Z50P4803M	3	A	1.25	2.38	60.3
Z50P4804M	4	A	1.25	2.38	60.3
Z50P4805M	5	A	1.25	2.75	69.9
Z50P4806M	6	A	1.25	2.75	69.9
Z50P4807N	7.5	A	1.25	3.25	82.6
Z50P4810M	10	A	1.25	4.25	108.0
Z64P4812N	12.5	C	1.75	2.75	69.9
Z64P4815M	15	C	1.75	2.75	69.9
Z64P4817N	17.5	C	1.75	3.25	82.6
Z64P4820M	20	C	1.75	3.75	95.3
Z64P4825M	25	C	1.75	4.25	108.0
Z64P4830M	30	C	1.75	4.75	120.7
Z62P4835M	35	D	2.00	4.75	120.7
Z62P4840M	40	D	2.00	3.25	82.6

AeroMet® II					
Standard Sizes For Ratings At 70°C Case Temperature					
370 VAC / DUAL RATING					
CATALOG PART NUMBER	MFD	CASE STYLE	BASE SIZE IN.	CASE HEIGHT	
				IN.	mm
M24P3715W05	15/5	SS	2.00	3.64	92.5
M24P3720W05	20/5	SS	2.00	3.64	92.5
M24P3720W07	20/7.5	SS	2.00	3.64	92.5
M24P3720W10	20/10	SS	2.00	4.13	104.9
M24P3725W05	25/5	SS	2.00	3.64	92.5
M24P3725W07	25/7.5	SS	2.00	3.64	92.5
M24P3725W10	25/10	SS	2.00	4.13	104.9
M24P3730W05	30/5	SS	2.00	4.13	104.9
M24P3730W07	30/7.5	SS	2.00	4.13	104.9
M24P3730W10	30/10	SS	2.00	4.13	104.9
M24P3735W05	35/5	SS	2.00	4.13	104.9
M24P3735W07	35/7.5	SS	2.00	4.63	117.6
M24P3735W10	35/10	SS	2.00	4.13	104.9
M24P3740W05	40/5	SS	2.00	4.63	117.6
M24P3740W07	40/7.5	SS	2.00	4.63	117.6
M24P3740W10	40/10	SS	2.00	4.63	117.6
M24P3745W05	45/5	SS	2.00	5.12	130.0
M24P3745W07	45/7.5	SS	2.00	5.12	130.0
M24P3745W10	45/10	SS	2.00	5.12	130.0
M26P3750W05	50/5	TT	2.50	3.64	92.5
M26P3750W07	50/7.5	TT	2.50	4.13	104.9
M26P3750W10	50/10	TT	2.50	4.13	104.9
M26P3755W05	55/5	TT	2.50	3.64	92.5
M26P3755W07	55/7.5	TT	2.50	4.13	104.9
M26P3755W10	55/10	TT	2.50	4.13	104.9

SuperMet®					
Round Case 70°C Case Temperature					
370 VAC / DUAL RATING					
CATALOG PART NUMBER	MFD	CASE STYLE	BASE SIZE IN.	CASE HEIGHT	
				IN.	mm
Z24P3718W	15/3	S	2.00	2.75	69.9
Z24P3719W	15/4	S	2.00	2.75	69.9
Z24P3720W	15/5	S	2.00	2.75	69.9
Z24P3722W	15/7.5	S	2.00	2.75	69.9
Z24P3725W	15/10	S	2.00	3.25	82.6
Z24P3723W	20/3	S	2.00	2.75	69.9
Z24P3724W	20/4	S	2.00	2.75	69.9
Z24P3725W	20/5	S	2.00	2.75	69.9
Z24P3727W	20/7.5	S	2.00	2.75	69.9
Z24P3730W	20/10	S	2.00	3.25	82.6
Z24P3728W	25/3	S	2.00	2.75	69.9
Z24P3729W	25/4	S	2.00	2.75	69.9
Z24P3730W	25/5	S	2.00	3.25	82.6
Z24P3732W	25/7.5	S	2.00	3.25	82.6
Z24P3735W	25/10	S	2.00	3.75	95.3
Z26P3745W	25/20	T	2.50	3.25	82.6
Z24P3733W	30/3	S	2.00	3.25	82.6
Z24P3734W	30/4	S	2.00	3.25	82.6
Z24P3735W	30/5	S	2.00	3.25	82.6
Z24P3737W	30/7.5	S	2.00	3.25	82.6
Z24P3740W	30/10	S	2.00	3.25	82.6
Z26P3750W	30/20	T	2.50	3.25	82.6
Z24P3738W	35/3	S	2.00	3.75	95.3
Z24P3739W	35/4	S	2.00	3.75	95.3
Z24P3740W	35/5	S	2.00	3.75	95.3
Z24P3742W	35/7.5	S	2.00	3.75	95.3
Z24P3745W	35/10	S	2.00	3.75	95.3
Z26P3755W	35/20	T	2.50	3.25	82.6
Z24P3743W	40/3	S	2.00	3.75	95.3
Z24P3744W	40/4	S	2.00	4.25	108.0
Z24P3745W	40/5	S	2.00	3.75	95.3
Z24P3747W	40/7.5	S	2.00	4.25	108.0
Z24P3750W	40/10	S	2.00	4.25	108.0
Z24P3750W	45/5	S	2.00	4.25	108.0
Z24P3752W	45/7.5	S	2.00	4.25	108.0
Z24P3755W	45/10	S	2.00	4.25	108.0
Z24P3755W	50/5	S	2.00	4.75	120.7
Z24P3757W	50/7.5	S	2.00	4.75	120.7
Z24P3760W	50/10	S	2.00	4.75	120.7
Z26P3760W	55/5	T	2.50	3.25	82.6
Z26P3762W	55/7.5	T	2.50	3.25	82.6
Z26P3765W	55/10	T	2.50	3.25	82.6

# Motor Run Capacitors

<b>SuperMet®</b>					
Oval Case 70°C Case Temperature					
370 VAC/DUAL RATING					
CATALOG PART NUMBER	MFD	CASE STYLE	BASE SIZE IN.	CASE HEIGHT	
				IN.	mm
Z64P3718W	15/3	C	1.75	2.38	60.3
Z64P3719W	15/4	C	1.75	2.38	60.3
Z64P3720W	15/5	C	1.75	2.38	60.3
Z64P3722W	15/7.5	C	1.75	2.38	60.3
Z64P3725W	15/10	C	1.75	2.38	60.3
Z64P3723W	20/3	C	1.75	2.38	60.3
Z64P3724W	20/4	C	1.75	2.38	60.3
Z64P3725W	20/5	C	1.75	2.38	60.3
Z64P3727W	20/7.5	C	1.75	2.75	69.9
Z64P3730W	20/10	C	1.75	2.75	69.9
Z64P3728W	25/3	C	1.75	2.75	69.9
Z64P3729W	25/4	C	1.75	2.75	69.9
Z64P3730W	25/5	C	1.75	2.75	69.9
Z64P3732W	25/7.5	C	1.75	2.75	69.9
Z64P3735W	25/10	C	1.75	2.75	69.9
Z64P3745W	25/20	C	1.75	3.75	95.3
Z64P3733W	30/3	C	1.75	3.25	82.6
Z64P3734W	30/4	C	1.75	3.25	82.6
Z64P3735W	30/5	C	1.75	3.25	82.6
Z64P3737W	30/7.5	C	1.75	3.25	82.6
Z64P3740W	30/10	C	1.75	3.25	82.6
Z64P3750W	30/20	C	1.75	3.75	95.3
Z64P3738W	35/3	C	1.75	3.25	82.6
Z64P3739W	35/4	C	1.75	3.25	82.6
Z64P3740W	35/5	C	1.75	3.25	82.6
Z64P3742W	35/7.5	C	1.75	3.25	82.6
Z64P3745W	35/10	C	1.75	3.25	82.6
Z64P3755W	35/20	C	1.75	3.75	95.3
Z64P3743W	40/3	C	1.75	3.75	95.3
Z64P3744W	40/4	C	1.75	3.75	95.3
Z64P3745W	40/5	C	1.75	3.75	95.3
Z64P3747W	40/7.5	C	1.75	3.75	95.3
Z64P3750W	40/10	C	1.75	3.75	95.3

<b>AeroMet® II</b>					
Standard Sizes For Ratings At 70°C Case Temperature					
440 VAC / DUAL RATING					
CATALOG PART NUMBER	MFD	CASE STYLE	BASE SIZE IN.	CASE HEIGHT	
				IN.	mm
M24P4415W05	15/5	SS	2.00	3.64	92.5
M24P4415W07	15/7.5	SS	2.00	4.13	104.9
M24P4420W05	20/5	SS	2.00	3.64	92.5
M24P4420W07	20/7.5	SS	2.00	4.13	104.9
M24P4420W10	20/10	SS	2.00	5.12	130.0
M24P4425W05	25/5	SS	2.00	4.13	104.9
M24P4425W07	25/7.5	SS	2.00	4.13	104.9
M24P4425W10	25/10	SS	2.00	5.12	130.0
M26P4430W05	30/5	TT	2.50	3.64	92.5
M26P4430W07	30/7.5	TT	2.50	4.13	104.9
M26P4430W10	30/10	TT	2.50	5.12	130.0
M26P4435W05	35/5	TT	2.50	3.64	92.5
M26P4435W07	35/7.5	TT	2.50	4.13	104.9
M26P4435W10	35/10	TT	2.50	5.12	130.0
M26P4440W05	40/5	TT	2.50	3.64	92.5
M26P4440W07	40/7.5	TT	2.50	4.13	104.9
M26P4440W10	40/10	TT	2.50	5.12	130.0
M26P4445W05	45/5	TT	2.50	4.13	104.9
M26P4445W07	45/7.5	TT	2.50	4.13	104.9
M26P4445W10	45/10	TT	2.50	5.12	130.0
M26P4450W05	50/5	TT	2.50	4.13	104.9
M26P4450W07	50/7.5	TT	2.50	4.13	104.9
M26P4450W10	50/10	TT	2.50	5.12	130.0
M26P4455W05	55/5	TT	2.50	5.12	130.0

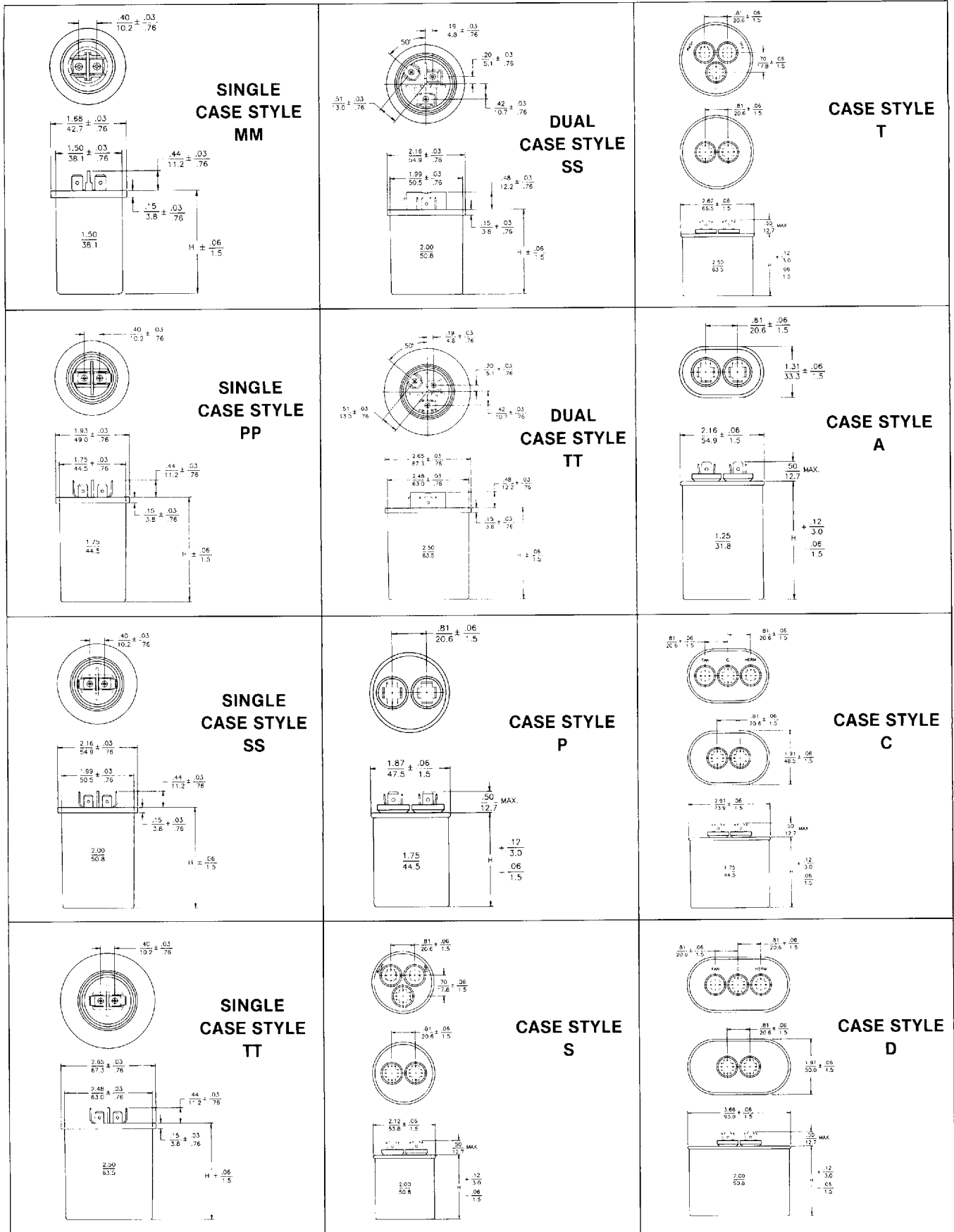
# Motor Run Capacitors

SuperMet®					
Round Case 70°C Case Temperature					
440 VAC / DUAL RATING					
CATALOG PART NUMBER	MFD	CASE STYLE	BASE SIZE IN.	CASE HEIGHT	
				IN.	mm
Z24P4418W	15/3	S	2.00	2.75	69.9
Z24P4419W	15/4	S	2.00	2.75	69.9
Z24P4420W	15/5	S	2.00	2.75	69.9
Z24P4422W	15/7.5	S	2.00	3.25	82.6
Z24P4425W	15/10	S	2.00	3.75	95.3
Z24P4423W	20/3	S	2.00	3.25	82.6
Z24P4424W	20/4	S	2.00	3.25	82.6
Z24P4425W	20/5	S	2.00	3.25	82.6
Z24P4427W	20/7.5	S	2.00	3.25	82.6
Z24P4430W	20/10	S	2.00	4.75	120.7
Z24P4428W	25/3	S	2.00	3.75	95.3
Z24P4429W	25/4	S	2.00	3.75	95.3
Z24P4430W	25/5	S	2.00	3.75	95.3
Z24P4432W	25/7.5	S	2.00	3.75	95.3
Z24P4435W	25/10	S	2.00	3.75	95.3
Z24P4433W	30/3	S	2.00	4.25	108.0
Z24P4434W	30/4	S	2.00	4.25	108.0
Z24P4435W	30/5	S	2.00	4.25	108.0
Z24P4437W	30/7.5	S	2.00	4.25	108.0
Z24P4440W	30/10	S	2.00	4.25	108.0
Z24P4438W	35/3	S	2.00	4.75	120.7
Z24P4439W	35/4	S	2.00	4.75	120.7
Z24P4440W	35/5	S	2.00	4.75	120.7
Z24P4442W	35/7.5	S	2.00	4.75	120.7
Z24P4445W	35/10	S	2.00	4.75	120.7
Z26P4445W	40/5	T	2.50	3.25	82.6
Z26P4447W	40/7.5	T	2.50	3.25	82.6
Z26P4450W	40/10	T	2.50	3.75	95.3
Z26P4450W	45/5	T	2.50	3.75	95.3
Z26P4452W	45/7.5	T	2.50	3.75	95.3
Z26P4455W	45/10	T	2.50	3.75	95.3

SuperMet®					
Oval Case 70°C Case Temperature					
440 VAC/DUAL RATING					
CATALOG PART NUMBER	MFD	CASE STYLE	BASE SIZE IN.	CASE HEIGHT	
				IN.	mm
Z64P4418W	15/3	C	1.75	2.75	69.9
Z64P4419W	15/4	C	1.75	2.75	69.9
Z64P4420W	15/5	C	1.75	2.75	69.9
Z64P4422W	15/7.5	C	1.75	2.75	69.9
Z64P4425W	15/10	C	1.75	2.75	69.9
Z64P4423W	20/3	C	1.75	2.75	69.9
Z64P4424W	20/4	C	1.75	2.75	69.9
Z64P4425W	20/5	C	1.75	2.75	69.9
Z64P4427W	20/7.5	C	1.75	3.25	82.6
Z64P4430W	20/10	C	1.75	3.25	82.6
Z64P4428W	25/3	C	1.75	3.25	82.6
Z64P4429W	25/4	C	1.75	3.25	82.6
Z64P4430W	25/5	C	1.75	3.25	82.6
Z64P4432W	25/7.5	C	1.75	3.25	82.6
Z64P4435W	25/10	C	1.75	3.75	95.3
Z64P4445W	25/20	C	1.75	4.25	108.0
Z64P4433W	30/3	C	1.75	3.75	95.3
Z64P4434W	30/4	C	1.75	3.75	95.3
Z64P4435W	30/5	C	1.75	3.75	95.3
Z64P4437W	30/7.5	C	1.75	3.75	95.3
Z64P4440W	30/10	C	1.75	3.75	95.3
Z64P4450W	30/20	C	1.75	4.75	120.7
Z64P4438W	35/3	C	1.75	4.25	108.0
Z64P4439W	35/4	C	1.75	4.25	108.0
Z64P4440W	35/5	C	1.75	4.25	108.0
Z64P4442W	35/7.5	C	1.75	4.25	108.0
Z64P4445W	35/10	C	1.75	4.25	108.0

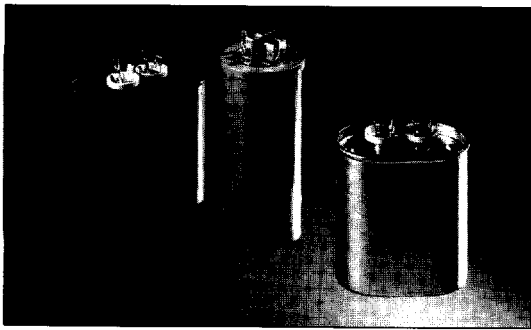
AeroKraft®					
Oval Case 70°C Case Temperature					
370 VAC					
CATALOG PART NUMBER	MFD	CASE STYLE	BASE SIZE IN.	CASE HEIGHT	
				IN.	mm
P50G3702E	2	A	1.25	2.13	54.0
P50G3703E	3	A	1.25	2.13	54.0
P50G3704E	4	A	1.25	2.13	54.0
P50G3705E	5	A	1.25	2.31	58.7
P50G3706E	6	A	1.25	2.75	69.9
P50G3707Y	7.5	A	1.25	3.25	82.6
440 VAC					
P50G4402E	2	A	1.25	2.13	54.0
P50G4403E	3	A	1.25	2.13	54.0
P50G4404E	4	A	1.25	2.63	66.7
P50G4405E	5	A	1.25	3.25	82.6
P50G4407Y	7.5	A	1.25	4.25	108.0

# Motor Run Capacitors





# HID Lighting Capacitors



**LAMP BALLASTS** — AC oil capacitors are essential components of the ballast used in conjunction with various lamp designs such as HPS, LPS, Mercury Vapor, and Metal Halide. They are used as part of the current limiting circuit and for power factor correction.

<b>AeroMet® II</b>					
Standard Sizes For Ratings At 94°C Case Temperature					
240 VAC					
CATALOG PART NUMBER	MFD	CASE STYLE	BASE SIZE IN.	CASE HEIGHT	
				IN.	mm
M72S2405M00	5	MM	1.50	2.62	66.5
M72S2407M00	7	MM	1.50	2.62	66.5
M72S2408M00	8	MM	1.50	2.62	66.5
M72S2410M00	10	MM	1.50	2.62	66.5
M72S2414M00	14	MM	1.50	3.15	80.0
M72S2415M00	15	MM	1.50	3.15	80.0
M72S2416M00	16	MM	1.50	3.15	80.0
M72S2417N00	17.5	MM	1.50	3.15	80.0
M72S2420M00	20	MM	1.50	3.64	92.5
M72S2422N00	22.5	MM	1.50	3.64	92.5
M73S2424M00	24	PP	1.75	3.15	80.0
M73S2426M00	26	PP	1.75	3.15	80.0
M73S2428M00	28	PP	1.75	3.15	80.0
M73S2429M00	29	PP	1.75	3.15	80.0
M73S2430M00	30	PP	1.75	3.15	80.0
M73S2434M00	34	PP	1.75	3.64	92.5
M73S2435M00	35	PP	1.75	3.64	92.5
M73S2440M00	40	PP	1.75	4.13	104.9
M73S2442M00	42	PP	1.75	4.13	104.9
M73S2445M00	45	PP	1.75	4.13	104.9
M73S2448M00	48	PP	1.75	4.63	117.6
M73S2452M00	52	PP	1.75	4.63	117.6
M73S2455M00	55	PP	1.75	5.12	130.0
M73S2460M00	60	PP	1.75	5.12	130.0

<b>SuperMet®</b>					
Round Case 90°C Case Temperature					
240 VAC					
CATALOG PART NUMBER	MFD	CASE STYLE	BASE SIZE IN.	CASE HEIGHT	
				IN.	mm
Z73P2405M	5	P	1.75	2.38	60.3
Z73P2407M	7	P	1.75	2.38	60.3
Z73P2408M	8	P	1.75	2.38	60.3
Z73P2410M	10	P	1.75	2.38	60.3
Z73P2414M	14	P	1.75	2.38	60.3
Z73P2415M	15	P	1.75	2.38	60.3
Z73P2417N	17.5	P	1.75	2.38	60.3
Z73P2420M	20	P	1.75	2.38	60.3
Z73P2422N	22.5	P	1.75	2.38	60.3
Z73P2424M	24	P	1.75	2.38	60.3
Z73P2426M	26	P	1.75	2.75	69.9
Z73P2428M	28	P	1.75	2.75	69.9
Z73P2429M	29	P	1.75	2.75	69.9
Z73P2430M	30	P	1.75	2.75	69.9
Z73P2434M	34	P	1.75	2.75	69.9
Z73P2435M	35	P	1.75	2.75	69.9
Z73P2440M	40	P	1.75	3.25	82.6
Z73P2442M	42	P	1.75	3.25	82.6
Z73P2445M	45	P	1.75	3.25	82.6
Z73P2448M	48	P	1.75	3.75	95.3
Z73P2452M	52	P	1.75	3.75	95.3
Z73P2460M	60	P	1.75	4.25	108.0

<b>SuperMet®</b>					
Oval Case 90°C Case Temperature					
240 VAC					
CATALOG PART NUMBER	MFD	CASE STYLE	BASE SIZE IN.	CASE HEIGHT	
				IN.	mm
Z91P2405M	5	A	1.25	2.38	60.3
Z91P2407M	7	A	1.25	2.38	60.3
Z91P2408M	8	A	1.25	2.38	60.3
Z91P2410M	10	A	1.25	2.38	60.3
Z91P2414M	14	A	1.25	2.75	69.9
Z91P2415M	15	A	1.25	2.75	69.9
Z91P2417N	17.5	A	1.25	3.25	82.6
Z91P2420M	20	A	1.25	3.25	82.6
Z91P2422N	22.5	A	1.25	3.75	95.3
Z93P2424M	24	C	1.75	2.38	60.3
Z93P2426M	26	C	1.75	2.38	60.3
Z93P2428M	28	C	1.75	2.38	60.3
Z93P2429M	29	C	1.75	2.38	60.3
Z93P2430M	30	C	1.75	2.75	69.9
Z93P2434M	34	C	1.75	2.75	69.9
Z93P2435M	35	C	1.75	2.75	69.9
Z93P2440M	40	C	1.75	2.75	69.9
Z93P2442M	42	C	1.75	3.25	82.6
Z93P2445M	45	C	1.75	3.25	82.6
Z93P2448M	48	C	1.75	3.25	82.6
Z93P2452M	52	C	1.75	3.75	95.3
Z93P2460M	60	C	1.75	3.75	95.3

# HID Lighting Capacitors

## AeroMet® II

Standard Sizes For Ratings At 94°C Case Temperature

280 VAC

CATALOG PART NUMBER	MFD	CASE STYLE	BASE SIZE IN.	CASE HEIGHT	
				IN.	mm
M72S2805M00	5	MM	1.50	2.62	66.5
M72S2807M00	7	MM	1.50	2.62	66.5
M72S2808M00	8	MM	1.50	2.62	66.5
M72S2810M00	10	MM	1.50	3.15	80.0
M72S2814M00	14	MM	1.50	3.64	92.5
M73S2815M00	15	PP	1.75	2.62	66.5
M73S2816M00	16	PP	1.75	3.15	80.0
M73S2817N00	17.5	PP	1.75	3.15	80.0
M73S2820M00	20	PP	1.75	3.15	80.0
M73S2822N00	22.5	PP	1.75	3.64	92.5
M73S2824M00	24	PP	1.75	3.64	92.5
M73S2826M00	26	PP	1.75	3.64	92.5
M73S2828M00	28	PP	1.75	4.13	104.9
M73S2829M00	29	PP	1.75	4.13	104.9
M73S2830M00	30	PP	1.75	4.13	104.9
M73S2834M00	34	PP	1.75	4.63	117.6
M73S2835M00	35	PP	1.75	4.63	117.6
M73S2840M00	40	PP	1.75	5.12	130.0
M73S2842M00	42	PP	1.75	5.12	130.0
M74S2845M00	45	SS	2.00	4.13	104.9
M74S2848M00	48	SS	2.00	4.63	117.6
M74S2852M00	52	SS	2.00	4.63	117.6
M74S2855M00	55	SS	2.00	5.12	130.0
M74S2860M00	60	SS	2.00	5.12	130.0

## SuperMet®

Oval Case 90°C Case Temperature

280 VAC

CATALOG PART NUMBER	MFD	CASE STYLE	BASE SIZE IN.	CASE HEIGHT	
				IN.	mm
Z91P2805M	5	A	1.25	2.38	60.3
Z91P2807M	7	A	1.25	2.38	60.3
Z91P2808M	8	A	1.25	2.38	60.3
Z91P2810M	10	A	1.25	2.38	60.3
Z91P2814M	14	A	1.25	2.75	69.9
Z91P2815M	15	A	1.25	2.75	69.9
Z91P2817N	17.5	A	1.25	3.25	82.6
Z91P2820M	20	A	1.25	3.25	82.6
Z91P2822N	22.5	A	1.25	3.75	95.3
Z93P2824M	24	C	1.75	2.38	60.3
Z93P2826M	26	C	1.75	2.38	60.3
Z93P2828M	28	C	1.75	2.38	60.3
Z93P2829M	29	C	1.75	2.38	60.3
Z93P2830M	30	C	1.75	2.75	69.9
Z93P2834M	34	C	1.75	2.75	69.9
Z93P2835M	35	C	1.75	2.75	69.9
Z93P2840M	40	C	1.75	2.75	69.9
Z93P2842M	42	C	1.75	3.25	82.6
Z93P2845M	45	C	1.75	3.25	82.6
Z93P2848M	48	C	1.75	3.25	82.6
Z93P2852M	52	C	1.75	3.75	95.3
Z93P2860M	60	C	1.75	3.75	95.3

## SuperMet®

Round Case 90°C Case Temperature

280 VAC

CATALOG PART NUMBER	MFD	CASE STYLE	BASE SIZE IN.	CASE HEIGHT	
				IN.	mm
Z73P2805M	5	P	1.75	2.38	60.3
Z73P2807M	7	P	1.75	2.38	60.3
Z73P2808M	8	P	1.75	2.38	60.3
Z73P2810M	10	P	1.75	2.38	60.3
Z73P2814M	14	P	1.75	2.38	60.3
Z73P2815M	15	P	1.75	2.38	60.3
Z73P2817N	17.5	P	1.75	2.38	60.3
Z73P2820M	20	P	1.75	2.38	60.3
Z73P2822N	22.5	P	1.75	2.38	60.3
Z73P2824M	24	P	1.75	2.38	60.3
Z73P2826M	26	P	1.75	2.75	69.9
Z73P2828M	28	P	1.75	2.75	69.9
Z73P2829M	29	P	1.75	2.75	69.9
Z73P2830M	30	P	1.75	2.75	69.9
Z73P2834M	34	P	1.75	2.75	69.9
Z73P2835M	35	P	1.75	2.75	69.9
Z73P2840M	40	P	1.75	3.25	82.6
Z73P2842M	42	P	1.75	3.25	82.6
Z73P2845M	45	P	1.75	3.25	82.6
Z73P2848M	48	P	1.75	3.75	95.3
Z73P2852M	52	P	1.75	3.75	95.3
Z73P2860M	60	P	1.75	4.25	108.0

## AeroMet® II

Standard Sizes For Ratings At 94°C Case Temperature

300 VAC

CATALOG PART NUMBER	MFD	CASE STYLE	BASE SIZE IN.	CASE HEIGHT	
				IN.	mm
M72S3005M00	5	MM	1.50	2.62	66.5
M72S3007M00	7	MM	1.50	2.62	66.5
M72S3008M00	8	MM	1.50	2.62	66.5
M72S3010M00	10	MM	1.50	3.15	80.0
M72S3014M00	14	MM	1.50	3.64	92.5
M73S3015M00	15	PP	1.75	2.62	66.5
M73S3016M00	16	PP	1.75	3.15	80.0
M73S3017N00	17.5	PP	1.75	3.15	80.0
M73S3020M00	20	PP	1.75	3.15	80.0
M73S3022N00	22.5	PP	1.75	3.64	92.5
M73S3024M00	24	PP	1.75	3.64	92.5
M73S3026M00	26	PP	1.75	3.64	92.5
M73S3028M00	28	PP	1.75	4.13	104.9
M73S3029M00	29	PP	1.75	4.13	104.9
M73S3030M00	30	PP	1.75	4.13	104.9
M73S3034M00	34	PP	1.75	4.63	117.6
M73S3035M00	35	PP	1.75	4.63	117.6
M73S3040M00	40	PP	1.75	5.12	130.0
M73S3042M00	42	PP	1.75	5.12	130.0
M74S3045M00	45	SS	2.00	4.13	104.9
M74S3048M00	48	SS	2.00	4.63	117.6
M74S3052M00	52	SS	2.00	4.63	117.6
M74S3055M00	55	SS	2.00	5.12	130.0
M74S3060M00	60	SS	2.00	5.12	130.0

# HID Lighting Capacitors

SuperMet®					
Round Case 90°C Case Temperature					
300 VAC					
CATALOG PART NUMBER	MFD	CASE STYLE	BASE SIZE IN.	CASE HEIGHT	
				IN.	mm
Z73P3005M	5	P	1.75	2.38	60.3
Z73P3007M	7	P	1.75	2.38	60.3
Z73P3008M	8	P	1.75	2.38	60.3
Z73P3010M	10	P	1.75	2.38	60.3
Z73P3014M	14	P	1.75	2.38	60.3
Z73P3015M	15	P	1.75	2.38	60.3
Z73P3017N	17.5	P	1.75	2.38	60.3
Z73P3020M	20	P	1.75	2.75	69.9
Z73P3022N	22.5	P	1.75	2.75	69.9
Z73P3024M	24	P	1.75	2.75	69.9
Z73P3026M	26	P	1.75	3.25	82.6
Z73P3028M	28	P	1.75	3.25	82.6
Z73P3029M	29	P	1.75	3.25	82.6
Z73P3030M	30	P	1.75	3.25	82.6
Z73P3034M	34	P	1.75	3.75	95.3
Z73P3035M	35	P	1.75	3.75	95.3
Z74P3040M	40	S	2.00	3.25	82.6
Z74P3042M	42	S	2.00	3.75	95.3
Z74P3045M	45	S	2.00	3.75	95.3
Z74P3048M	48	S	2.00	3.75	95.3
Z74P3052M	52	S	2.00	4.25	108.0
Z74P3060M	60	S	2.00	4.75	120.7

AeroMet® II					
Standard Sizes For Ratings At 94°C Case Temperature					
330 VAC					
CATALOG PART NUMBER	MFD	CASE STYLE	BASE SIZE IN.	CASE HEIGHT	
				IN.	mm
M72S3305M00	5	MM	1.50	2.62	66.5
M72S3307M00	7	MM	1.50	3.15	80.0
M72S3308M00	8	MM	1.50	3.15	80.0
M72S3310M00	10	MM	1.50	3.64	92.5
M73S3314M00	14	PP	1.75	3.15	80.0
M73S3315M00	15	PP	1.75	3.15	80.0
M73S3316M00	16	PP	1.75	3.64	92.5
M73S3317N00	17.5	PP	1.75	3.64	92.5
M73S3320M00	20	PP	1.75	4.13	104.9
M73S3322N00	22.5	PP	1.75	4.13	104.9
M73S3324M00	24	PP	1.75	4.63	117.6
M73S3326M00	26	PP	1.75	4.63	117.6
M73S3328M00	28	PP	1.75	5.12	130.0
M73S3329M00	29	PP	1.75	5.12	130.0
M73S3330M00	30	PP	1.75	5.12	130.0
M74S3334M00	34	SS	2.00	4.63	117.6
M74S3335M00	35	SS	2.00	4.63	117.6
M74S3340M00	40	SS	2.00	5.12	130.0
M74S3342M00	42	SS	2.00	5.12	130.0
M74S3345M00	45	SS	2.00	5.12	130.0
M76S3348M00	48	TT	2.50	3.64	92.5
M76S3352M00	52	TT	2.50	4.13	104.9
M76S3355M00	55	TT	2.50	4.13	104.9
M76S3360M00	60	TT	2.50	5.12	130.0

SuperMet®					
Oval Case 90°C Case Temperature					
300 VAC					
CATALOG PART NUMBER	MFD	CASE STYLE	BASE SIZE IN.	CASE HEIGHT	
				IN.	mm
Z91P3005M	5	A	1.25	2.38	60.3
Z91P3007M	7	A	1.25	2.38	60.3
Z91P3008M	8	A	1.25	2.38	60.3
Z91P3010M	10	A	1.25	2.75	69.9
Z91P3014M	14	A	1.25	3.25	82.6
Z91P3015M	15	A	1.25	3.75	95.3
Z91P3017N	17.5	A	1.25	4.25	108.0
Z91P3020M	20	A	1.25	4.25	108.0
Z93P3020M	20	C	1.75	2.75	69.9
Z91P3022N	22.5	A	1.25	4.75	120.7
Z93P3022N	22.5	C	1.75	2.75	69.9
Z93P3024M	24	C	1.75	2.75	69.9
Z93P3026M	26	C	1.75	2.75	69.9
Z93P3028M	28	C	1.75	3.25	82.6
Z93P3029M	29	C	1.75	3.25	82.6
Z93P3030M	30	C	1.75	3.25	82.6
Z93P3034M	34	C	1.75	3.25	82.6
Z93P3035M	35	C	1.75	3.25	82.6
Z93P3040M	40	C	1.75	3.75	95.3
Z93P3042M	42	C	1.75	3.75	95.3
Z93P3045M	45	C	1.75	4.25	108.0
Z93P3048M	48	C	1.75	4.25	108.0
Z93P3052M	52	C	1.75	4.75	120.7
Z94P3052M	52	D	2.00	4.25	108.0
Z94P3060M	60	D	2.00	4.75	120.7

SuperMet®					
Round Case 90°C Case Temperature					
330 VAC					
CATALOG PART NUMBER	MFD	CASE STYLE	BASE SIZE IN.	CASE HEIGHT	
				IN.	mm
Z73P3305M	5	P	1.75	2.38	60.3
Z73P3307M	7	P	1.75	2.38	60.3
Z73P3308M	8	P	1.75	2.38	60.3
Z73P3310M	10	P	1.75	2.38	60.3
Z73P3314M	14	P	1.75	2.38	60.3
Z73P3315M	15	P	1.75	2.38	60.3
Z73P3317N	17.5	P	1.75	2.38	60.3
Z73P3320M	20	P	1.75	3.25	82.6
Z73P3322N	22.5	P	1.75	3.25	82.6
Z73P3324M	24	P	1.75	3.75	95.3
Z73P3326M	26	P	1.75	3.75	95.3
Z73P3328M	28	P	1.75	4.25	108.0
Z73P3329M	29	P	1.75	4.25	108.0
Z73P3330M	30	P	1.75	4.25	108.0
Z73P3334M	34	P	1.75	4.75	120.7
Z73P3335M	35	P	1.75	4.75	120.7
Z74P3335M	35	S	2.00	3.75	95.3
Z74P3340M	40	S	2.00	4.25	108.0
Z74P3342M	42	S	2.00	4.25	108.0
Z74P3348M	48	S	2.00	4.75	120.7
Z76P3352M	52	T	2.50	3.75	95.3
Z76P3360M	60	T	2.50	3.75	95.3

# HID Lighting Capacitors

SuperMet®					
Oval Case 90°C Case Temperature					
330 VAC					
CATALOG PART NUMBER	MFD	CASE STYLE	BASE SIZE IN.	CASE HEIGHT	
				IN.	mm
Z91P3305M	5	A	1.25	2.38	60.3
Z91P3307M	7	A	1.25	2.38	60.3
Z91P3308M	8	A	1.25	2.38	60.3
Z91P3310M	10	A	1.25	2.75	69.9
Z91P3314M	14	A	1.25	3.25	82.6
Z91P3315M	15	A	1.25	3.75	95.3
Z91P3317N	17.5	A	1.25	4.25	108.0
Z93P3320M	20	C	1.75	2.75	69.9
Z93P3322N	22.5	C	1.75	3.25	82.6
Z93P3324M	24	C	1.75	3.25	82.6
Z93P3326M	26	C	1.75	3.75	95.3
Z93P3328M	28	C	1.75	3.75	95.3
Z93P3329M	29	C	1.75	3.75	95.3
Z93P3330M	30	C	1.75	3.75	95.3
Z93P3334M	34	C	1.75	4.25	108.0
Z93P3335M	35	C	1.75	4.25	108.0
Z93P3340M	40	C	1.75	4.75	120.7
Z93P3342M	42	C	1.75	4.75	120.7
Z94P3348M	48	D	2.00	3.25	82.6
Z94P3352M	52	D	2.00	3.25	82.6
Z94P3360M	60	D	2.00	3.75	95.3

SuperMet®					
Oval Case 90°C Case Temperature					
400 VAC					
CATALOG PART NUMBER	MFD	CASE STYLE	BASE SIZE IN.	CASE HEIGHT	
				IN.	mm
Z92P4010M	10	B	1.50	3.25	82.6
Z92P4012M	12	B	1.50	3.25	82.6
Z93P4014M	14	C	1.75	2.75	69.9
Z92P4015M	15	B	1.50	3.75	95.3
Z93P4015M	15	C	1.75	2.75	69.9
Z93P4020M	20	C	1.75	3.75	95.3
Z93P4024M	24	C	1.75	3.75	95.3
Z94P4024M	24	D	2.00	2.75	69.9

AeroMet® II					
Standard Sizes For Ratings At 94°C Case Temperature					
400 VAC					
CATALOG PART NUMBER	MFD	CASE STYLE	BASE SIZE IN.	CASE HEIGHT	
				IN.	mm
M73S4010M00	10	PP	1.75	3.15	80.0
M73S4012M00	12	PP	1.75	3.64	92.5
M73S4014M00	14	PP	1.75	3.64	92.5
M73S4015M00	15	PP	1.75	4.13	104.9
M73S4020M00	20	PP	1.75	4.63	117.6
M73S4024M00	24	PP	1.75	5.12	130.0
M74S4024M00	24	SS	2.00	4.13	104.9

SuperMet®					
Round 90°C Case Temperature					
480 VAC					
CATALOG PART NUMBER	MFD	CASE STYLE	BASE SIZE IN.	CASE HEIGHT	
				IN.	mm
Z73P4805M	5	P	1.75	2.38	60.3
Z73P4810M	10	P	1.75	2.75	69.9
Z73P4812M	12	P	1.75	3.25	82.6
Z73P4814M	14	P	1.75	3.75	95.3
Z73P4815M	15	P	1.75	3.75	95.3
Z73P4816M	16	P	1.75	3.75	95.3
Z73P4818M	18	P	1.75	4.25	108.0
Z74P4818M	18	S	2.00	3.75	95.3
Z73P4820M	20	P	1.75	4.75	108.0
Z74P4820M	20	S	2.00	3.75	95.3
Z74P4824M	24	S	2.00	4.25	108.0

SuperMet®					
Round 90°C Case Temperature					
400 VAC					
CATALOG PART NUMBER	MFD	CASE STYLE	BASE SIZE IN.	CASE HEIGHT	
				IN.	mm
Z73P4010M	10	P	1.75	2.75	69.9
Z73P4012M	12	P	1.75	2.75	69.9
Z73P4014M	14	P	1.75	3.25	82.6
Z73P4015M	15	P	1.75	3.25	82.6
Z74P4015M	15	S	2.00	2.75	69.9
Z73P4020M	20	P	1.75	3.75	95.3
Z73P4024M	24	P	1.75	4.25	108.0
Z74P4024M	24	S	2.00	3.75	95.3

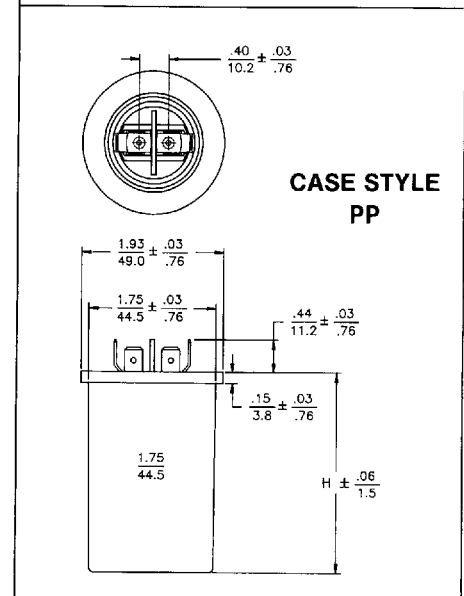
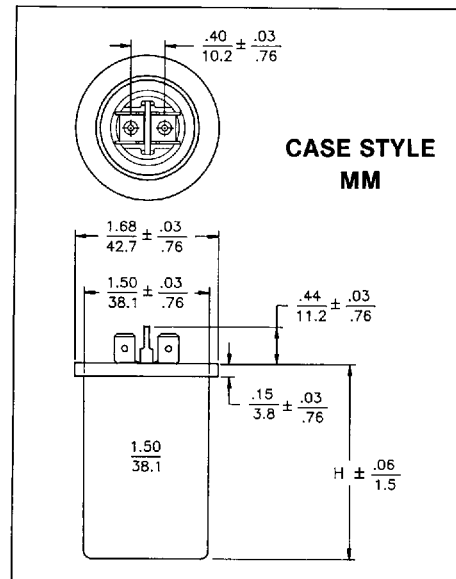
SuperMet®					
Oval Case 90°C Case Temperature					
480 VAC					
CATALOG PART NUMBER	MFD	CASE STYLE	BASE SIZE IN.	CASE HEIGHT	
				IN.	mm
Z91P4805M	5	A	1.25	3.25	82.6
Z91P4810M	10	A	1.25	4.75	120.7
Z92P4810M	10	B	1.50	3.75	95.3
Z92P4812M	12	B	1.50	3.75	95.3
Z93P4812M	12	C	1.75	2.75	69.9
Z92P4814M	14	B	1.50	4.25	108.0
Z93P4814M	14	C	1.75	3.25	95.3
Z92P4815M	15	B	1.50	4.75	120.7
Z93P4815M	15	C	1.75	3.25	82.6
Z92P4816M	16	B	1.50	4.75	120.7
Z93P4816M	16	C	1.75	3.75	95.3
Z93P4818M	18	C	1.75	3.75	95.3
Z93P4820M	20	C	1.75	4.25	108.0
Z94P4820M	20	D	2.00	3.75	95.3
Z93P4824M	24	C	1.75	4.25	108.0

# HID Lighting Capacitors

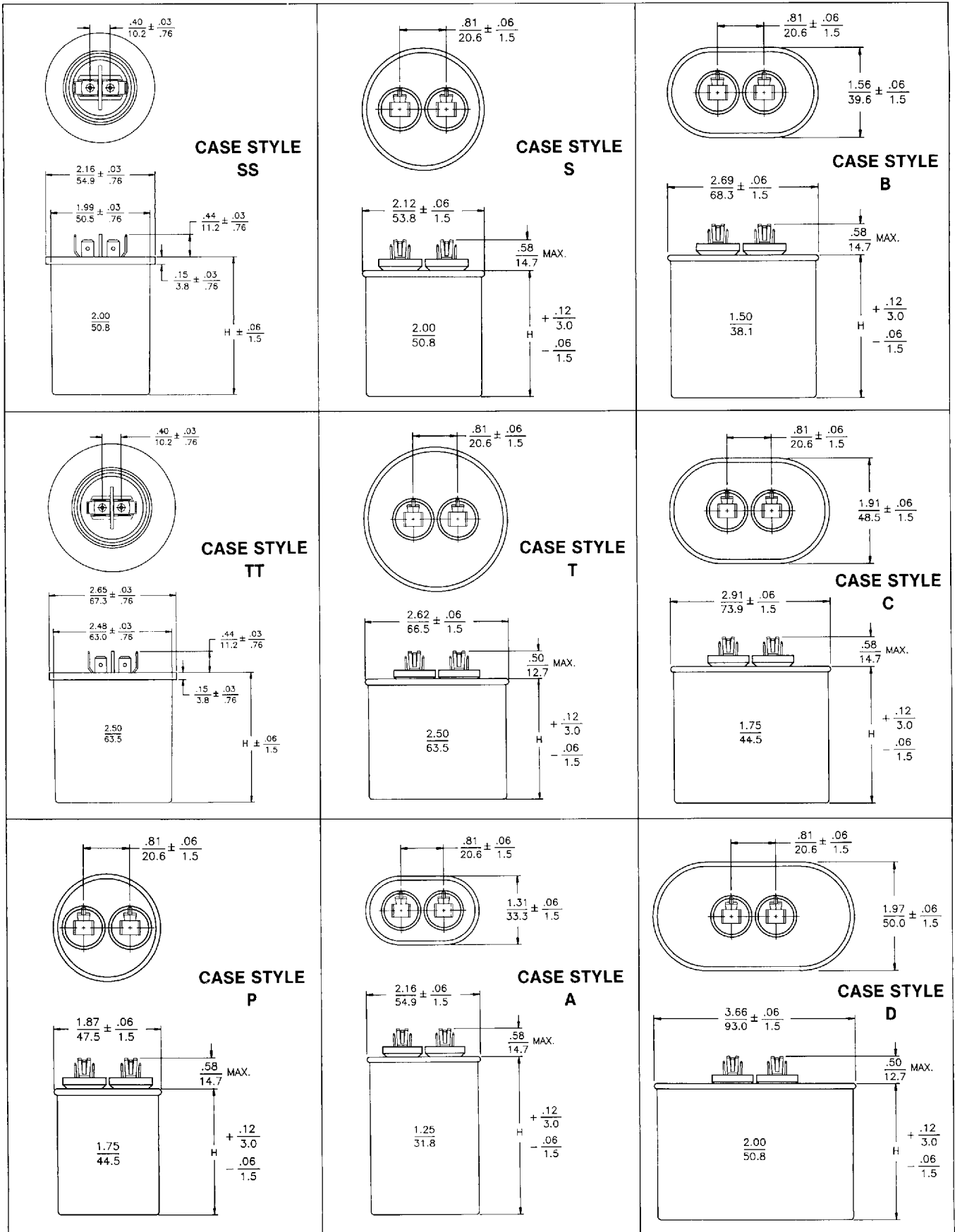
SuperMet®					
Round Case 90°C Case Temperature					
525 VAC					
CATALOG PART NUMBER	MFD	CASE STYLE	BASE SIZE IN.	CASE HEIGHT	
				IN.	mm
Z73P5208N	8	P	1.75	2.75	69.9
Z73P5213N	13	P	1.75	3.75	95.3
Z73P5216N	16	P	1.75	4.75	120.7
Z74P5216N	16	S	2.00	3.75	95.3
Z74P5218N	18	S	2.00	4.25	108.0
Z76P5226N	26	T	2.50	3.75	95.3
Z76P5232N	32	T	2.50	4.25	108.0

SuperMet®					
Oval Case 90°C Case Temperature					
525 VAC					
CATALOG PART NUMBER	MFD	CASE STYLE	BASE SIZE IN.	CASE HEIGHT	
				IN.	mm
Z91P5205N	5	A	1.25	3.25	95.3
Z91P5208N	8	A	1.25	4.75	120.7
Z92P5208N	8	B	1.50	3.75	95.3
Z92P5210N	10	B	1.50	4.25	108.0
Z93P5210N	10	C	1.75	3.25	82.6
Z93P5212N	12	C	1.75	3.25	82.6
Z93P5213N	13	C	1.75	3.75	95.3
Z93P5214N	14	C	1.75	3.75	95.3
Z93P5215N	15	C	1.75	3.75	95.3
Z93P5216N	16	C	1.75	4.25	108.0
Z93P5218N	18	C	1.75	4.25	108.0
Z94P5218N	18	D	2.00	4.25	108.0
Z94P5220N	20	D	2.00	2.75	69.9
Z94P5224N	24	D	2.00	3.25	82.6
Z94P5226N	26	D	2.00	3.25	82.6
Z94P5232N	32	D	2.00	3.75	95.3
Z94P5235N	35	D	2.00	4.25	108.0

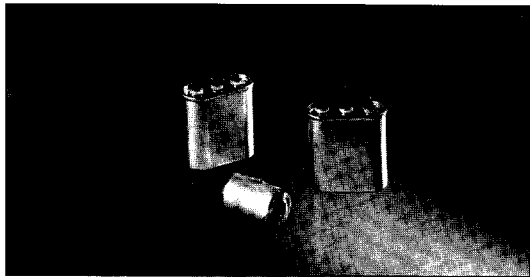
AeroKraft®					
Oval Case 90°C Case Temperature					
300 - 330 VAC					
CATALOG PART NUMBER	MFD	CASE STYLE	BASE SIZE IN.	CASE HEIGHT	
				IN.	mm
P91G3304E	4	A	1.25	2.13	54.0
P91G3305E	5	A	1.25	2.31	58.7
P91G3306E	6	A	1.25	2.75	69.9
P91G3307E	7	A	1.25	3.25	82.6
P91G3308E	8	A	1.25	4.00	101.6



# HID Lighting Capacitors



# Fluorescent / Sign Ballast Capacitors



**FLUORESCENT LIGHTING AND SIGN BALLAST** — These capacitors are essential in high performance fluorescent lighting and sign lamp ballasts in which they are used as 1) starting aids, 2) as part of the current limiting circuit and 3) for power factor correction.

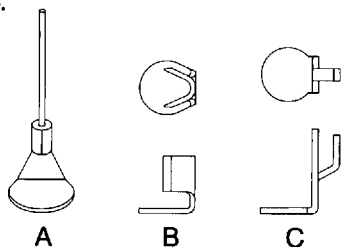
Depending on the voltage, capacitance and temperature rating, these products are assembled in one of four dielectric systems. Each capacitor dielectric is provided with an internal resistor for discharging the capacitor to less than 50 volts within 60 seconds after being removed from the circuit. Internal discharge resistors are available for capacitor ratings up to 700 VAC.

For fluorescent lighting ballasts, the SuperMet capacitor is produced with a unique micro-crystalline wax to protect the metallized film against the high temperature of the asphalt during the potting operation. As the capacitor is completely encapsulated with pitch, the wax coating melts and acts to absorb the heat. The temperature of the pitch must be controlled. If the temperature is excessive, the wax coating will not be sufficient in protecting the capacitor from damage.

Because the wax coated product is not UL listed, it is the customer's responsibility to determine acceptability of these **unprotected** designs in the final application.

Please consult the factory with your special application requirements. Standard terminal and resistor configurations are listed in the Accessories section of this catalog.

**TERMINALS —**  
Standard Fluorescent Terminals.  
Specify A, B, or C.



SuperMet®				
Typical Ratings				
Sizes For Ratings At 70°C Case Temperature				
CATALOG PART NUMBER	CAPACITANCE	VOLTAGE	DIAMETER	LENGTH
U43B1306M	6.0	130	.846	1.61
U43B1307M	7.0	130	.894	1.61
U43B2704N	4.2	270	.850	1.61
U43B2704N	4.5	270	.871	1.61
U43B2705N	5.6	270	.944	1.61
U43B3104N	4.5	315	.870	1.61
U43B3203N	3.83	320	.813	1.61
U43B3204M	4.0	320	.825	1.61
U43B3302N	2.5	330	.782	1.61
U43B3303N	3.25	330	.855	1.61
U43B3303N	3.15	330	.845	1.61
U43B3303N	3.8	330	.811	1.61
U43B3502N	2.15	350	.821	1.61
U43B3503N	3.2	350	.850	1.61
U43B3503N	3.8	350	.933	1.61
U43B4002N	2.5	400	1.100	2.15
U43B4501N	1.7	450	.945	2.15
U43B5701N	1.5	575	1.014	2.15
U43B5701N	1.4	575	.987	2.15
U43B5702N	2.1	575	1.162	2.15
U43B5702N	2.4	575	1.229	2.15
U43B6002N	2.4	600	1.229	2.15
U43B6004N	4.0	600	1.534	2.15
U43B6601N	1.9	660	1.115	2.15
U43B7001N	1.7	700	1.189	2.15

AeroKraft®						
Typical Ratings						
Sizes For Ratings At 70°C Case Temperature						
CATALOG PART NUMBER	CAPACITANCE	VOLTAGE	CASE STYLE	BASE SIZE IN.	CASE HEIGHT	
					IN.	mm
P49G3104Y	4.5	315	A1	1.25	2.13	54.0
P34G3303Y	3.25 + .05	330	H	1.00	2.13	54.0
P34G3303Y	3.50 + .05	330	H	1.00	2.13	54.0
P20G3503Y	3.3	350	H	1.00	2.13	54.0
P34G3802Y	2.6 + .05	380	H	1.00	2.13	54.0
P34G4001Y	1.8 + .10	400	H	1.00	2.00	50.8
P20G4602Y	2.5	460	H	1.00	2.13	54.0
P20G5202Y	2.25	525	H	1.00	2.19	55.6
P20G5701Y	1.3	575	H	1.00	2.00	50.8
P49G5702Y	2.25 + .075	575	A1	1.25	2.63	66.7
P20G6001E	1.0	600	H	1.00	2.13	54.0
P34G6002Y	2.45 + .075	600	H	1.00	2.38	60.3
P20G6601Y	1.9	660	H	1.00	2.38	60.3

# Fluorescent / Sign Ballast Capacitors

## AeroFoil®

### Typical Ratings

#### Sizes For Ratings At 70°C Case Temperature

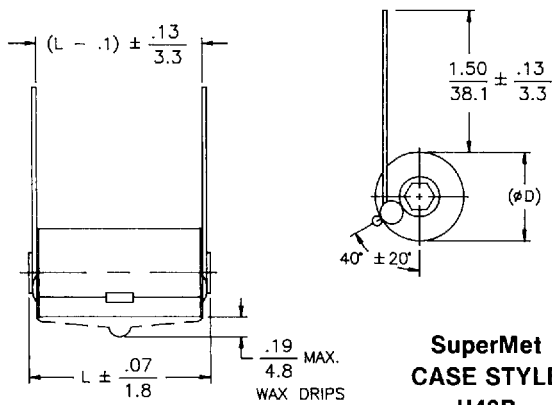
CATALOG PART NUMBER	CAPACITANCE	VOLTAGE	CASE STYLE	BASE SIZE IN.	CASE HEIGHT	
					IN.	mm
H49R5405Y	5.3 + .075	540	A1	1.25	2.88	73.0
H49R5503Y	3.6 + .075	550	A1	1.25	2.13	54.0
H49R5503Y	3.75 + .075	550	A1	1.25	2.13	54.0
H49R5702Y	2.75 + .075	575	A1	1.25	2.13	54.0
H49R5703Y	3.25 + .075	575	A1	1.25	2.13	54.0
H49R5703Y	3.90 + .075	575	A1	1.25	2.13	54.0
H49R6004Y	4.0 + .075	600	A1	1.25	2.38	60.3
H47R6004Y	4.7 + .090	600	B1	1.50	2.19	55.6
H47R6003Y	3.75 + .075	600	B1	1.50	2.19	55.6

## AeroPak®

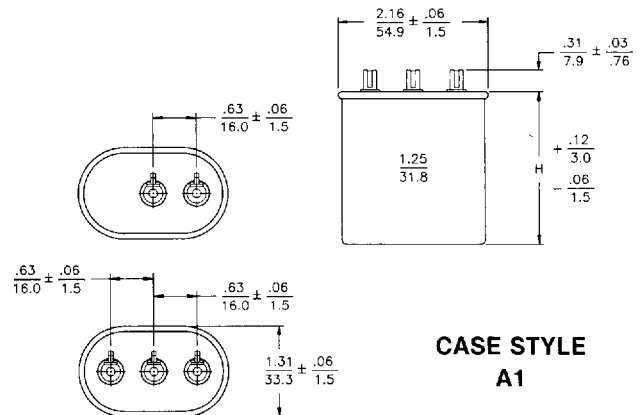
### Typical Ratings

#### Sizes For Ratings At 70°C Case Temperature

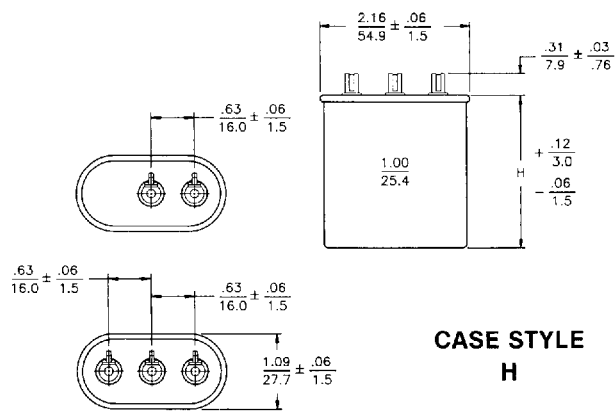
CATALOG PART NUMBER	CAPACITANCE	VOLTAGE	CASE STYLE	BASE SIZE IN.	CASE HEIGHT	
					IN.	mm
N49R7201Y	1.15 + .075	725	A1	1.25	2.13	54.0
N49R7502Y	2.5 + .075 + .075	750	A1	1.25	3.50	88.9
N49R7702Y	2.4 + .075	775	A1	1.25	3.50	88.9
N49R8101Y	1.25 + .075	810	A1	1.25	2.50	63.5
N49R8701Y	1.18 + .075 + .075	870	A1	1.25	2.50	63.5
N49R8702Y	2.2 + .075 + .075	870	A1	1.25	3.50	88.9
N49R8702Y	2.4 + .075 + .075	870	A1	1.25	3.88	98.4
N49R9001Y	1.95 + .075 + .075	900	A1	1.25	3.38	85.7
N49R9501Y	1.3	950	A1	1.25	3.25	82.6
N49R9601Y	1.86 + .075 + .075	960	A1	1.25	3.88	98.4
N20H9701Y	0.63	975	H	1.00	2.13	54.0
N34R1001Y	.075 + .075	1000	H	1.00	2.13	54.0
N49R1001Y	1.18	1000	A1	1.25	2.63	66.7
N47R1001Y	1.7 + .075 + .075	1000	B1	1.50	2.94	74.6



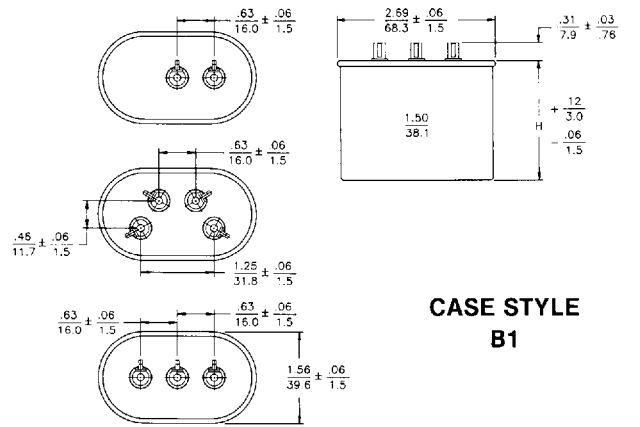
**SuperMet  
CASE STYLE  
U43B**



**CASE STYLE  
A1**



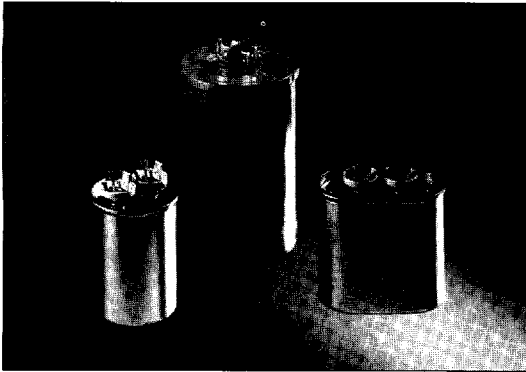
**CASE STYLE  
H**



**CASE STYLE  
B1**



# Power Supply Capacitors



**POWER SUPPLY** — Capacitors are used in power supply circuits to facilitate voltage regulation, noise suppression, and line current reduction. They also increase the efficiency of the circuit by reducing losses and lowering the temperature rise.

SuperMet®					
Round Case 70°C Case Temperature					
330 VAC					
CATALOG PART NUMBER	MFD	CASE STYLE	BASE SIZE IN.	CASE HEIGHT	
				IN.	mm
Z23P3305M	5	P	1.75	2.38	60.3
Z23P3307M	7	P	1.75	2.38	60.3
Z23P3308M	8	P	1.75	2.38	60.3
Z23P3310M	10	P	1.75	2.38	60.3
Z23P3314M	14	P	1.75	2.38	60.3
Z23P3315M	15	P	1.75	2.38	60.3
Z23P3317N	17.5	P	1.75	2.38	60.3
Z23P3320M	20	P	1.75	2.75	69.9
Z23P3322N	22.5	P	1.75	2.75	69.9
Z23P3324M	24	P	1.75	2.75	69.9
Z23P3326M	26	P	1.75	3.25	82.6
Z23P3328M	28	P	1.75	3.25	82.6
Z23P3329M	29	P	1.75	3.25	82.6
Z23P3330M	30	P	1.75	3.25	82.6
Z23P3334M	34	P	1.75	3.75	95.3
Z23P3335M	35	P	1.75	3.75	95.3
Z24P3335M	35	S	2.00	3.25	82.6
Z24P3340M	40	S	2.00	3.25	82.6
Z24P3342M	42	S	2.00	3.75	95.3
Z24P3348M	48	S	2.00	3.75	95.3
Z26P3352M	52	T	2.50	2.75	69.9
Z26P3360M	60	T	2.50	3.25	82.6

SuperMet®					
Oval Case 70°C Case Temperature					
330 VAC					
CATALOG PART NUMBER	MFD	CASE STYLE	BASE SIZE IN.	CASE HEIGHT	
				IN.	mm
Z50P3305M	5	A	1.25	2.38	60.3
Z50P3307M	7	A	1.25	2.38	60.3
Z50P3308M	8	A	1.25	2.38	60.3
Z50P3310M	10	A	1.25	2.75	69.9
Z50P3314M	14	A	1.25	3.25	82.6
Z50P3315M	15	A	1.25	3.75	95.3
Z64P3317N	17.5	C	1.75	2.38	60.3
Z64P3320M	20	C	1.75	2.38	60.3
Z64P3322N	22.5	C	1.75	2.75	69.9
Z64P3324M	24	C	1.75	2.75	69.9
Z64P3326M	26	C	1.75	2.75	69.9
Z64P3328M	28	C	1.75	3.25	82.6
Z64P3329M	29	C	1.75	3.25	82.6
Z64P3330M	30	C	1.75	3.25	82.6
Z64P3334M	34	C	1.75	3.25	82.6
Z64P3335M	35	C	1.75	3.25	82.6
Z64P3340M	40	C	1.75	3.75	95.3
Z64P3342M	42	C	1.75	3.75	95.3
Z64P3348M	48	C	1.75	4.25	108.0
Z64P3352M	52	C	1.75	4.75	120.7
Z64P3360M	60	C	1.75	4.25	108.0

AeroPak®					
Oval Case 70°C Case Temperature					
660 VAC					
CATALOG PART NUMBER	MFD	CASE STYLE	BASE SIZE IN.	CASE HEIGHT	
				IN.	mm
N50R6601E	1	A	1.25	2.13	54.0
N50R6601Y	1.5	A	1.25	2.13	54.0
N50R6602E	2	A	1.25	2.13	54.0
N50R6602Y	2.5	A	1.25	2.13	54.0
N50R6603E	3	A	1.25	2.50	63.5
N50R6604E	4	A	1.25	3.00	76.2
N50R6605E	5	A	1.25	3.50	88.9

# Power Supply Capacitors

AeroFoil®					
Oval Case 70°C Case Temperature					
660 VAC					
CATALOG PART NUMBER	MFD	CASE STYLE	BASE SIZE IN.	CASE HEIGHT	
				IN.	mm
K50R6602E	2	A	1.25	2.00	50.8
K50R6603E	3	A	1.25	2.00	50.8
K50R6604E	4	A	1.25	2.25	57.2
K50R6605E	5	A	1.25	2.50	63.5
K50R6606E	6	A	1.25	2.75	69.9
K50R6607E	7	A	1.25	3.00	76.2
K50R6608E	8	A	1.25	3.50	88.9
K50R6609E	9	A	1.25	4.00	101.6
K50R6610E	10	A	1.25	4.25	108.0
K64R6610E	10	C	1.75	3.00	76.2
K64R6612E	12	C	1.75	3.00	76.2
H64R6615E	15	C	1.75	3.38	85.7
H64R6618E	18	C	1.75	3.88	98.4
H62R6618E	18	D	2.00	3.38	85.7
H64R6620E	20	C	1.75	4.38	111.1
H62R6620E	20	D	2.00	3.38	85.7
H64R6625E	25	C	1.75	4.88	123.8
H62R6625E	25	D	2.00	3.88	98.4
H62R6630E	30	D	2.00	4.38	111.1

SuperMet®					
Round Case 90°C Case Temperature					
330 VAC					
CATALOG PART NUMBER	MFD	CASE STYLE	BASE SIZE IN.	CASE HEIGHT	
				IN.	mm
Z73P3305M	5	P	1.75	2.38	60.3
Z73P3307M	7	P	1.75	2.38	60.3
Z73P3308M	8	P	1.75	2.38	60.3
Z73P3310M	10	P	1.75	2.38	60.3
Z73P3314M	14	P	1.75	2.38	60.3
Z73P3315M	15	P	1.75	2.38	60.3
Z73P3317N	17.5	P	1.75	2.38	60.3
Z73P3320M	20	P	1.75	3.25	82.6
Z73P3322N	22.5	P	1.75	3.25	82.6
Z73P3324M	24	P	1.75	3.75	95.3
Z73P3326M	26	P	1.75	3.75	95.3
Z73P3328M	28	P	1.75	4.25	108.0
Z73P3329M	29	P	1.75	4.25	108.0
Z73P3330M	30	P	1.75	4.25	108.0
Z73P3334M	34	P	1.75	4.75	120.7
Z73P3335M	35	P	1.75	4.75	120.7
Z74P3335M	35	S	2.00	3.75	95.3
Z74P3340M	40	S	2.00	4.25	108.0
Z74P3342M	42	S	2.00	4.25	108.0
Z74P3348M	48	S	2.00	4.75	120.7
Z76P3352M	52	T	2.50	3.75	95.3
Z76P3360M	60	T	2.50	3.75	95.3

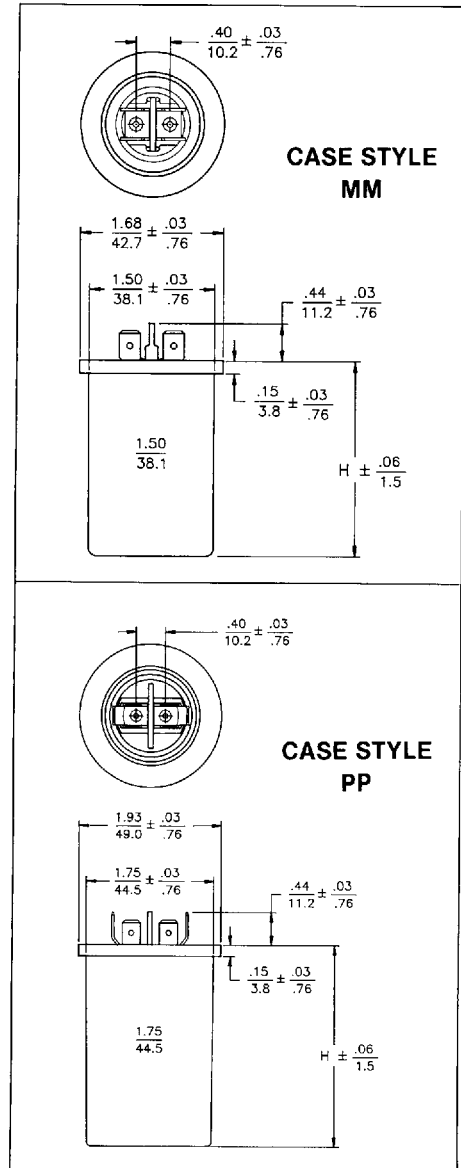
AeroMet® II					
Standard Sizes For Ratings At 94°C Case Temperature					
330 VAC					
CATALOG PART NUMBER	MFD	CASE STYLE	BASE SIZE IN.	CASE HEIGHT	
				IN.	mm
M72S3305M00	5	MM	1.50	2.62	66.5
M72S3307M00	7	MM	1.50	3.15	80.0
M72S3308M00	8	MM	1.50	3.15	80.0
M72S3310M00	10	MM	1.50	3.64	92.5
M73S3314M00	14	PP	1.75	3.15	80.0
M73S3315M00	15	PP	1.75	3.15	80.0
M73S3316M00	16	PP	1.75	3.64	92.5
M73S3317N00	17.5	PP	1.75	3.64	92.5
M73S3320M00	20	PP	1.75	4.13	104.9
M73S3322N00	22.5	PP	1.75	4.13	104.9
M73S3324M00	24	PP	1.75	4.63	117.6
M73S3326M00	26	PP	1.75	4.63	117.6
M73S3328M00	28	PP	1.75	5.12	130.0
M73S3329M00	29	PP	1.75	5.12	130.0
M73S3330M00	30	PP	1.75	5.12	130.0
M74S3334M00	34	SS	2.00	4.63	117.6
M74S3335M00	35	SS	2.00	4.63	117.6
M74S3340M00	40	SS	2.00	5.12	130.0
M74S3342M00	42	SS	2.00	5.12	130.0
M74S3345M00	45	SS	2.00	5.12	130.0
M76S3348M00	48	TT	2.50	3.64	92.5
M76S3352M00	52	TT	2.50	4.13	104.9
M76S3355M00	55	TT	2.50	4.13	104.9
M76S3360M00	60	TT	2.50	5.12	130.0

SuperMet®					
Oval Case 90°C Case Temperature					
330 VAC					
CATALOG PART NUMBER	MFD	CASE STYLE	BASE SIZE IN.	CASE HEIGHT	
				IN.	mm
Z91P3305M	5	A	1.25	2.38	60.3
Z91P3307M	7	A	1.25	2.38	60.3
Z91P3308M	8	A	1.25	2.38	60.3
Z91P3310M	10	A	1.25	2.75	69.9
Z91P3314M	14	A	1.25	3.25	82.6
Z91P3315M	15	A	1.25	3.75	95.3
Z91P3317N	17.5	A	1.25	4.25	108.0
Z93P3320M	20	C	1.75	2.75	69.9
Z93P3322N	22.5	C	1.75	3.25	82.6
Z93P3324M	24	C	1.75	3.25	82.6
Z93P3326M	26	C	1.75	3.75	95.3
Z93P3328M	28	C	1.75	3.75	95.3
Z93P3329M	29	C	1.75	3.75	95.3
Z93P3330M	30	C	1.75	3.75	95.3
Z93P3334M	34	C	1.75	4.25	108.0
Z93P3335M	35	C	1.75	4.25	108.0
Z93P3340M	40	C	1.75	4.75	120.7
Z93P3342M	42	C	1.75	4.75	120.7
Z94P3348M	48	D	2.00	3.25	82.6
Z94P3352M	52	D	2.00	3.25	82.6
Z94P3360M	60	D	2.00	3.75	95.3

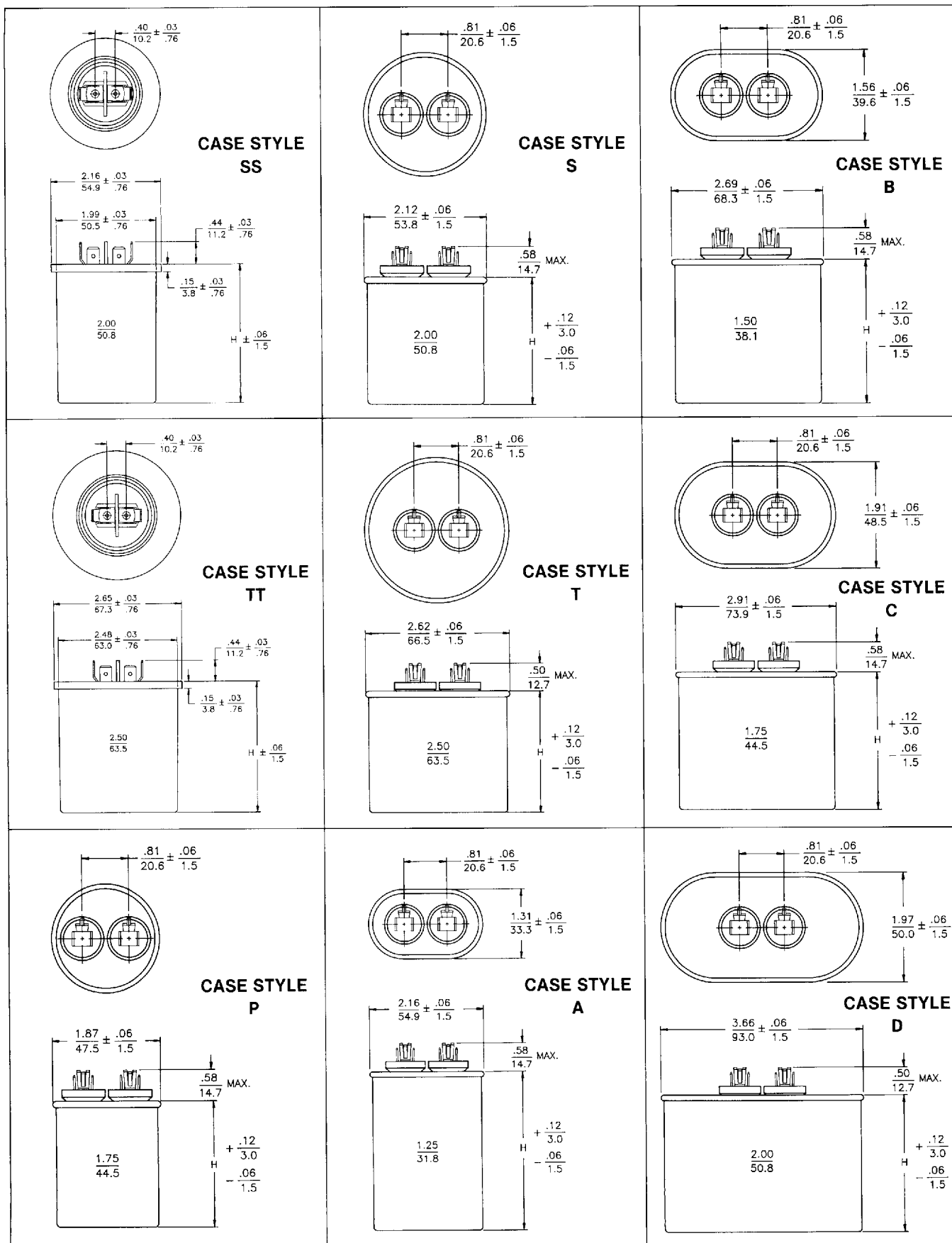
# Power Supply Capacitors

AeroPak®					
Oval Case 90°C Case Temperature					
660 VAC					
CATALOG PART NUMBER	MFD	CASE STYLE	BASE SIZE IN.	CASE HEIGHT	
				IN.	mm
N91R6601Y	0.5	A	1.25	2.13	54.0
N91R6601E	1	A	1.25	2.13	54.0
N91R6601Y	1.5	A	1.25	2.13	54.0
N91R6602E	2	A	1.25	2.63	66.7
N91R6602Y	2.5	A	1.25	3.00	76.2
N91R6603E	3	A	1.25	3.50	88.9
N91R6604E	4	A	1.25	4.50	114.3
N92R6605E	5	B	1.50	4.06	103.1

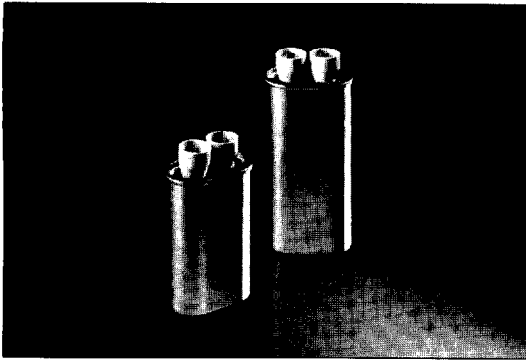
AeroFoil®					
Oval Case 90°C Case Temperature					
660 VAC					
CATALOG PART NUMBER	MFD	CASE STYLE	BASE SIZE IN.	CASE HEIGHT	
				IN.	mm
H91R6605E	5	A	1.25	2.88	73.0
H91R6606E	6	A	1.25	3.38	85.7
H92R6606E	6	B	1.50	2.38	60.3
H91R6607E	7	A	1.25	3.38	85.7
H92R6607E	7	B	1.50	2.88	73.0
H91R6608E	8	A	1.25	3.88	98.4
H92R6608E	8	B	1.50	2.88	73.0
H92R6609E	9	B	1.50	3.38	85.7
H92R6610E	10	B	1.50	3.38	85.7
H93R6610E	10	C	1.75	2.88	73.0
H93R6612E	12	C	1.75	2.88	73.0
H93R6615E	15	C	1.75	3.38	85.7
H94R6615E	15	D	2.00	2.88	73.0
H94R6618E	18	D	2.00	3.38	85.7
H93R6620E	20	C	1.75	4.88	123.8
H94R6620E	20	D	2.00	3.88	98.4



# Power Supply Capacitors



# Microwave Oven Capacitors



**MICROWAVE OVENS** — These capacitors are used in voltage doubler circuits in high voltage microwave oven transformers. In these applications, the capacitor must be capable of withstanding an AC voltage equal to twice the peak voltage of the transformer output voltage.

AeroPak®						
Typical Sizes For Ratings At 85°C Case Temperature						
1750 - 2500 VAC						
CATALOG PART NUMBER	CAPACITANCE	VOLTAGE	CASE STYLE	BASE SIZE IN.	CASE HEIGHT	
					IN.	mm
N50H1770G	0.70	1750	A	1.25	2.00	50.8
N50H2170G	0.70	2100	A	1.25	2.50	63.5
N50H2570G	0.70	2500	A	1.25	3.31	84.1
N50H1775G	0.75	1750	A	1.25	2.00	50.8
N50H2175G	0.75	2100	A	1.25	2.50	63.5
N50H2575G	0.75	2500	A	1.25	3.31	84.1
N50H1780G	0.80	1750	A	1.25	2.13	54.0
N50H2180G	0.80	2100	A	1.25	2.50	63.5
N50H2580G	0.80	2500	A	1.25	3.31	84.1
N50H1785G	0.85	1750	A	1.25	2.13	54.0
N50H2185G	0.85	2100	A	1.25	3.00	76.2
N50H2585G	0.85	2500	A	1.25	3.31	84.1
N50H1790G	0.90	1750	A	1.25	2.25	57.2
N50H2190G	0.90	2100	A	1.25	3.00	76.2
N50H2590G	0.90	2500	A	1.25	3.31	84.1
N50H1795G	0.95	1750	A	1.25	2.25	57.2
N50H2195G	0.95	2100	A	1.25	3.00	76.2
N50H2595G	0.95	2500	A	1.25	3.31	84.1
N50H1710G	1.00	1750	A	1.25	2.38	60.3
N50H2110G	1.00	2100	A	1.25	3.00	76.2
N50H2510G	1.00	2500	A	1.25	3.31	84.1
N50H1710G	1.05	1750	A	1.25	2.38	60.3
N50H2110G	1.05	2100	A	1.25	3.00	76.2
N50H1711G	1.10	1750	A	1.25	2.50	63.5
N50H2111G	1.10	2100	A	1.25	4.00	101.6
N50H1712G	1.20	1750	A	1.25	2.63	66.7
N50H2112G	1.20	2100	A	1.25	3.13	79.4
TYPICAL SIZES FOR DUAL CAPACITANCE RATINGS						
N64H1713G	1.06 + 0.29	1750	C	1.75	2.56	65.1
N64H2210G	0.70 + 0.33	2200	C	1.75	2.56	65.1
N64H2512G	0.90 + 0.48	2500	C	1.75	4.06	103.2

AeroPak®						
Typical Sizes For VDE Ratings At -25°C to +85°C Ambient Temp.						
2100 - 2300 VAC						
CATALOG PART NUMBER	CAPACITANCE	VOLTAGE	CASE STYLE	BASE SIZE IN.	CASE HEIGHT	
					IN.	mm
N50H2170G	0.70	2100	A	1.25	2.50	63.5
N50H2370G	0.70	2300	A	1.25	2.75	69.9
N50H2175G	0.75	2100	A	1.25	2.50	63.5
N50H2375G	0.75	2300	A	1.25	2.75	69.9
N50H2180G	0.80	2100	A	1.25	2.50	63.5
N50H2380G	0.80	2300	A	1.25	3.13	79.4
N50H2185G	0.85	2100	A	1.25	2.75	69.9
N50H2385G	0.85	2300	A	1.25	3.13	79.4
N50H2190G	0.90	2100	A	1.25	2.75	69.9
N50H2390G	0.90	2300	A	1.25	3.13	79.4
N50H2195G	0.95	2100	A	1.25	2.75	69.9
N50H2395G	0.95	2300	A	1.25	3.50	88.9
N50H2110G	1.00	2100	A	1.25	3.00	76.2
N50H2310G	1.00	2300	A	1.25	3.50	88.9
N50H2110G	1.05	2100	A	1.25	3.00	76.2
N50H2310G	1.05	2300	A	1.25	3.50	88.9
N50H2111G	1.10	2100	A	1.25	3.00	76.2
N50H2311G	1.10	2300	A	1.25	3.75	95.3
N50H2112G	1.20	2100	A	1.25	3.25	82.6
N50H2312G	1.20	2300	A	1.25	3.75	95.3

