




## DL40 • DLM50 • DLV60

MINI THROUGH BEAM SENSOR  
with separate amplifier

- ▷ long range
- ▷ high excess gain
- ▷ different ways of installation
- ▷ highly flexible connecting cable
- ▷ robust design



<ul style="list-style-type: none"> <li>• Ø 4 mm x 11 mm</li> <li>• Stainless steel</li> <li>• f. gluing a. clamping fixture</li> </ul>	<p><b>DL40</b></p>  <p>Actual size</p>
<ul style="list-style-type: none"> <li>• M5 x 0,5 mm x 11 mm</li> <li>• Nickel-plated brass</li> <li>• f. screw-in fixture</li> </ul>	<p><b>DLM50</b></p>  <p>Actual size</p>
<ul style="list-style-type: none"> <li>• 6 mm x 6 mm x 12 mm</li> <li>• Nickel-plated brass</li> <li>• f. screw-in fixture</li> </ul>	<p><b>DLV60</b></p>  <p>Actual size</p>

### GENERAL TECHNICAL DATA

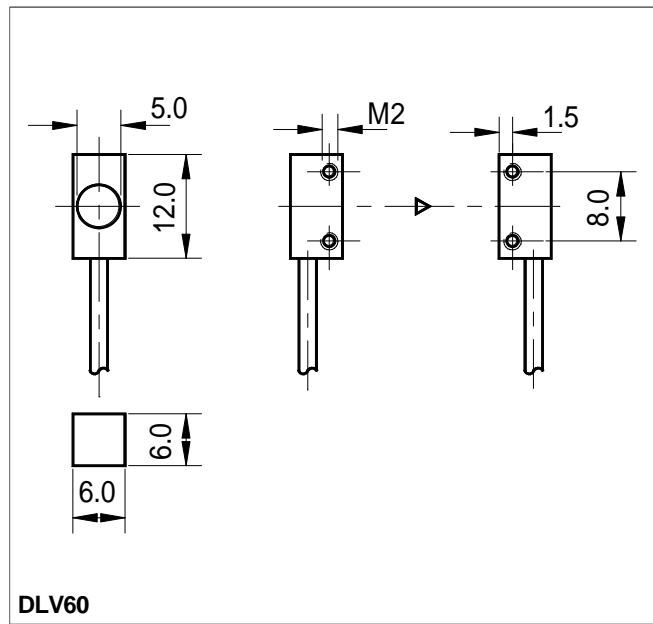
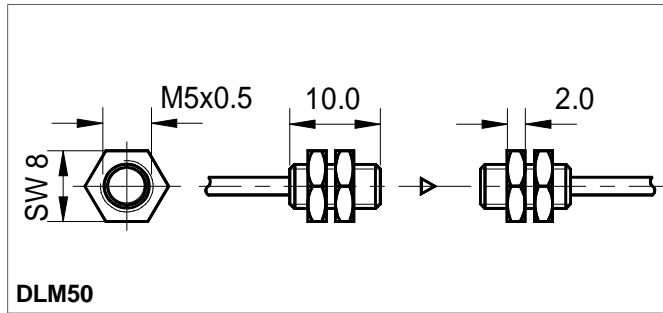
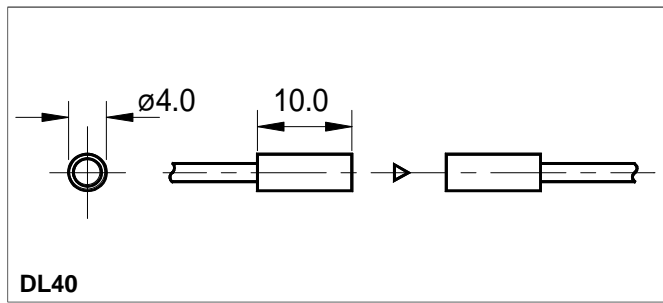
<b>light type</b>	Red 660nm or Infrared 880nm
<b>connection type</b>	PUR-cable with connector
<b>temperature range</b>	-10°C to +55°C
<b>protection class</b>	IP 65

### SMALLEST OBJECT and SENSING DISTANCE

<b>sensing distance</b>	1000 mm
<b>smallest object (Ø copper wire)*</b>	0,3 mm

\*copper wire of infinite length

**DIMENSIONS**



**PART DESIGNATION**

**DL40**  -  -  :

**light type**

- R: Red light
- (blank): Infrared light

**jacket material**

- P: PUR-cable black Ø1,8mm
- F: highly flexible PUR-cable red Ø1,1mm

**cable length** (specifications in [m] )

- standard length 1m
- special cable length

**connector**

- 0: M8 - connector 3 pin, female
- 1: 719 - Binder connector  
(see page *Options and Accessories*)

**ORDER EXAMPLE:**

DL40R-P-0:1m = DL40 Red light - PUR-cable black - M8, 3 pin female: (cable length 1m x 2)

**Please remember, for correct operation, a separate amplifier is required.**