

D-subminiature

Backshells - Super D SDH Series

Features

- The Cinch Super D Interconnection System is a simple, fast, economical, and reliable way for mating connectors from cable to cable or cable to panel.
- Snap-on Super D plastic hoods captivate connectors providing positive, self-latching, audible mating with reliable retention and Latch-N-Lock quick release disconnect.
- Snap-on Super-D plastic hoods are also available with filler ends to utilize 4-40 mounting hardware.
- Super D hoods are available:
 - Straight (180°) or Right-Angle (90°) cable entry.
 - Sizes: 9, 15, 25, and 37.
 - Sizes 15, 25, and 37 are available in standard or large cable openings.
- Black SDH backshells accommodate any standard metal shell IDC, solder cup, or crimp and poke D-subminiature connector.
- Gray SDH backshells accommodate the Cinch All-Plastic IDC T-Series connector.
- Each Super-D plastic hood includes a stay band to strain relief the cable wire. Stay band tool SD-MSBT is required. Extra stay bands are available.

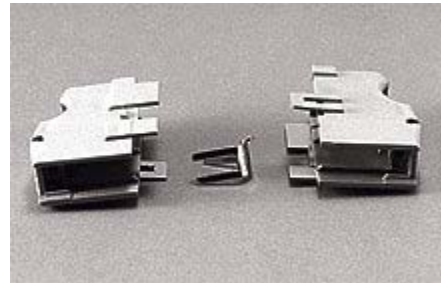
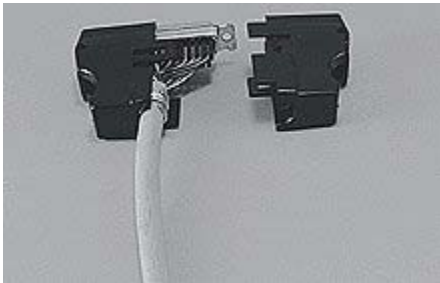
Materials

Hood: Modified phenylene oxide - black for metal shell connectors or gray for all-plastic IDC connectors

Latch Block: Diecast zinc

Screws for Latching Blocks: Steel with nickel plating

Stay Band: Steel with zinc plating and clear chromate finish

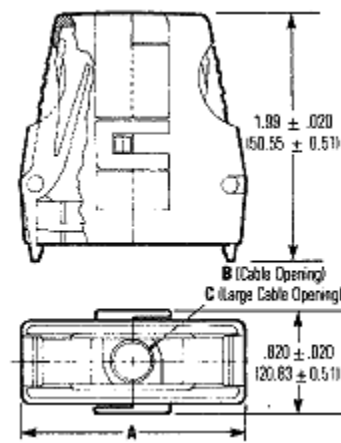
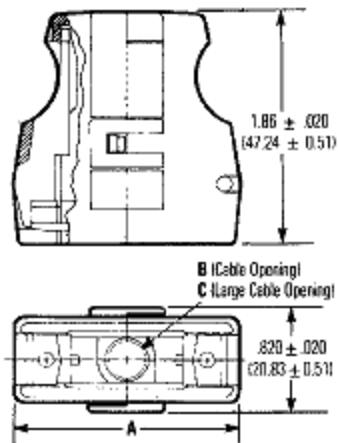


Straight (180°) Cable Entry Black Backshells for Metal Shell Connectors



Adapter Hood with Filler Ends

Adapter Hood with Latches



www.DataSheet4U.com

Dimensions

Positions	A ±.020" (.58mm)		B ±.020" (.58mm)		C ±.020" (.58mm)	
	in	mm	in	mm	in	mm
9	1.47	37.34	0.31	7.87	-	-
15	1.80	45.72	0.31	7.87	0.41	10.41
25	2.35	59.69	0.33	8.40	0.47	11.94
37	2.99	75.95	0.37	9.40	0.50	12.70

Ordering Information

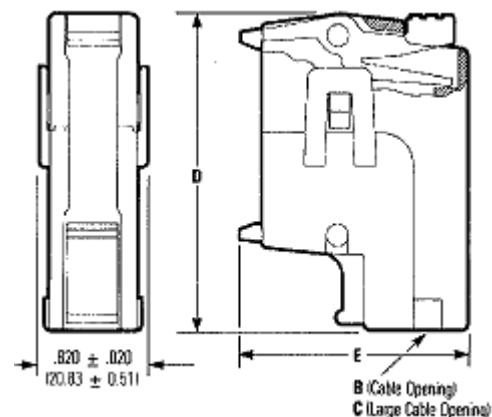
Straight (180°) Cable Entry Black Backshells for Metal Shell Connectors

Positions	Latches		Filler Ends		Filler Ends w/4-40 Screws	
	Standard Cable Opening	Large Cable Opening	Standard Cable Opening	Large Cable Opening	Standard Cable Opening	Large Cable Opening
9	SDH-9BL	N/A	SDH-9BF	N/A	SDH-9BFCS	N/A
15	SDH-15BL	SDH-15BLL	SDH-15BF	SDH-15BFL	SDH-15BFCS	SDH-15BFLCS
25	SDH-25BL	SDH-25BLL	SDH-25BF	SDH-25BFL	SDH-25BFCS	SDH-25BFLCS
37	SDH-37BL	SDH-37BLL	SDH-37BF	SDH-37BFL	SDH-37BFCS	SDH-37BFLCS

Right-Angle (90°) Cable Entry Black Backshells for Metal Shell Connectors



Right-Angle Adapter Hood



Dimensions

Positions	B ±.020" (.58mm)		C ±.020" (.58mm)		D ±.020" (.58mm)		E ±.020" (.58mm)	
	in	mm	in	mm	in	mm	in	mm
9	0.31	7.87	-	-	1.94	49.21	1.25	31.75

www.DataSheet4U.com

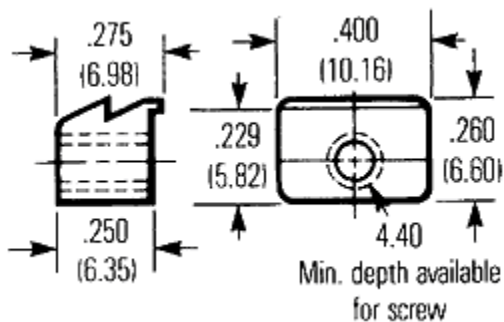
15	0.31	7.87	0.41	10.41	2.25	57.15	1.34	34.13
25	0.33	8.40	0.47	11.94	2.94	74.61	1.50	38.10
37	0.37	9.40	0.50	12.70	3.59	91.28	1.53	38.89

Ordering Information

Right-Angle (90°) Cable Entry Black Backshells for Metal Shell Connectors

Positions	Latches	
	Standard Cable Opening	Large Cable Opening
9	SDH-9RBL	N/A
15	SDH-15RBL	SDH-15RBLL
25	SDH-25RBL	SDH-25RBLL
37	SDH-37RBL	SDH-37RBLL

Latching Blocks for Super D Adapter System



Ordering Information

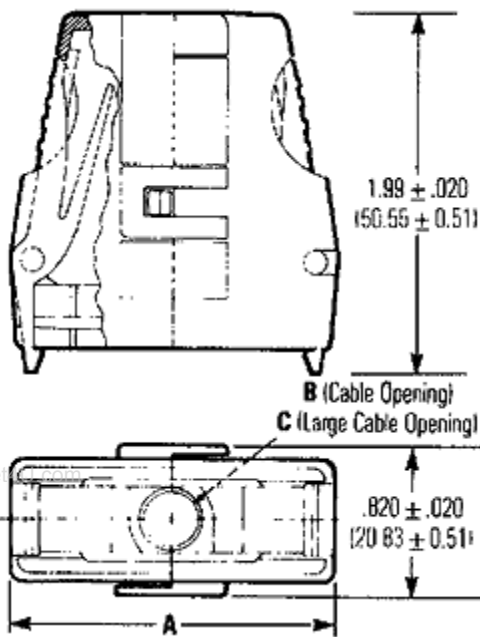
Description	For Panel Thickness	Qty per pack	Qty Required Per SDH Hood	Catalog Number
Latching Block	N/A	1 each	2 each	SD-LB
Latching Block with SEM Screws	Up to .060"	2 each	2 each	SD-LB-060
Removable Mounting Screws for Adapter Hood	N/A	1 each	2 each	4-40UNC2AX3/4
Latching Block with SEM Screws	.060" to .080"	2 each	2 each	SD-LB-060-080
Latching Block with SEM Screws	.080" to .125"	2 each	2 each	SD-LB-125

Fits only T Series All-Plastic IDC connector

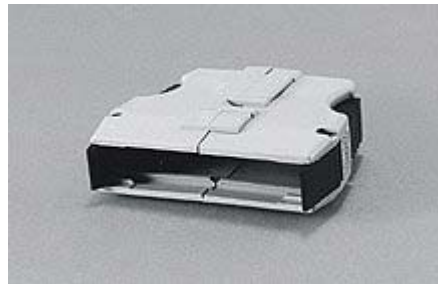
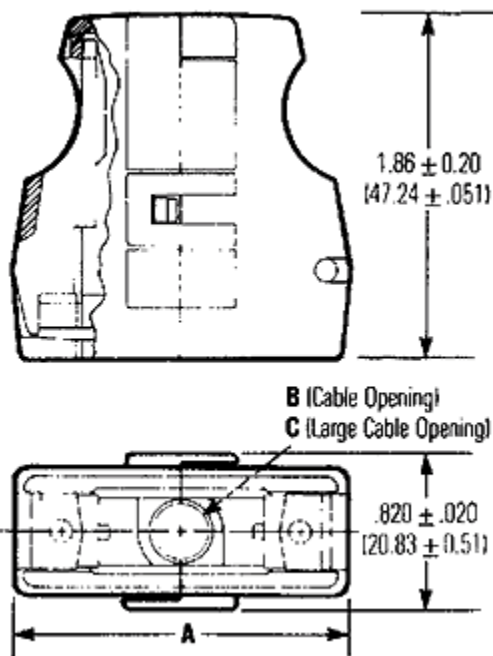
Straight (180°) Cable Entry Gray Backshells for All-Plastic Connectors

With Latches





With Filler Ends



Dimensions

Positions	A $\pm .020$ " (.58mm)		B $\pm .020$ " (.58mm)		C $\pm .020$ " (.58mm)	
	in	mm	in	mm	in	mm
9	1.47	37.34	0.31	7.87	---	---
15	1.80	45.72	0.31	7.87	0.41	10.41
25	2.35	59.69	0.33	8.40	0.47	11.94
37	2.99	75.95	0.37	9.40	0.50	12.70

Ordering Information

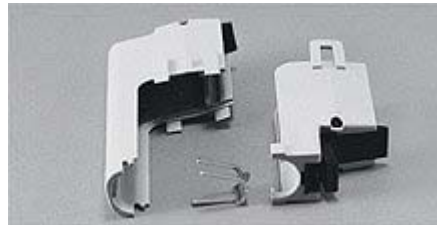
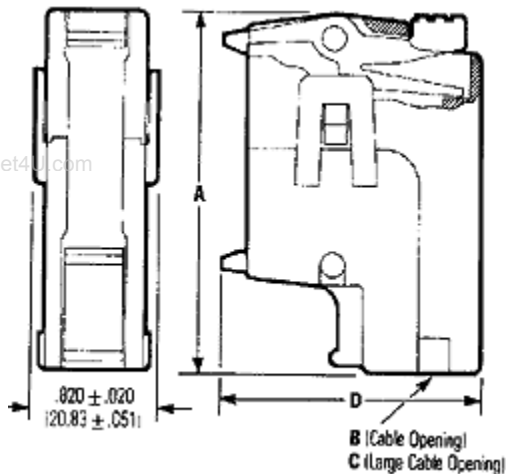
Straight (180°) Cable Entry Gray Backshells for All-Plastic Connectors

--	--	--	--

Positions	Latches		Filler Ends		Filler Ends w/4-40 Screws	
	Standard Cable Opening	Large Cable Opening	Standard Cable Opening	Large Cable Opening	Standard Cable Opening	Large Cable Opening
9	SDH-9GL	N/A	SDH-9GF	N/A	SDH-9GFCS	N/A
15	SDH-15GL	SDH-15GLL	SDH-15GF	SDH-15GFL	SDH-15GFCS	SDH-15GFLCS
25	SDH-25GL	SDH-25GLL	SDH-25GF	SDH-25GFL	SDH-25GFCS	SDH-25GFLCS
37	SDH-37GL	SDH-37GLL	SDH-37GF	SDH-37GFL	SDH-37GFCS	SDH-37GFLCS

Right-Angle (90°) Cable Entry Gray Backshells for All-Plastic Connector

Fits only IDC connectors



Dimensions

Positions	A		B		C		D	
	in	mm	in	mm	in	mm	in	mm
9	1.94	49.21	0.31	7.87	--	---	1.25	31.75
15	2.25	57.15	0.31	7.87	0.41	10.41	1.34	34.13
25	2.94	74.61	0.33	8.40	0.47	11.94	1.50	38.10
37	3.59	91.28	0.37	9.40	0.50	12.70	1.53	38.89

Ordering Information

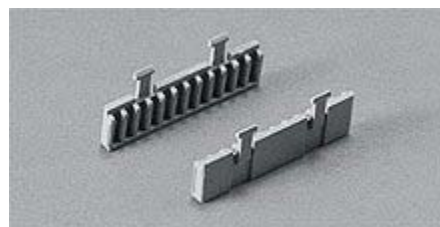
Right-Angle (90°) Cable Entry Gray Backshells for All-Plastic Connectors

Positions	Latches	
	Standard Cable Opening	Large Cable Opening
9	SDH-9RGL	N/A
15	SDH-15RGL	SDH-15RGLL
25	SDH-25RGL	SDH-25RGLL
37	SDH-37RGL	SDH-37RGLL

Ordering Information

Accessories for Gray Backshells

Positions	Optional Strain Reliefs*	Additional Stay Bands**
9	SD-WC9	SD-9-15-SB
15	SD-WC15	SD-9-15-SB
25	SD-WC25	SD-25-37-SB
37	SD-WC37	SD-25-37-SB



* Two each required per backshell.

** Stay band tool #SD-MSBT required.

Screw for screwlocking connector assembly - (2 each required):
4-40NC2AX3/4.

