

**PLEASE CHECK WWW.MOLEX.COM FOR LATEST PART INFORMATION**

**Part Number:** [0917780301](#)

**Status:** **Active**

**Overview:** [rast 5 connector system](#)

**Description:** 5.00mm (.197") Appli-Mate RAST 5 IDT Housing, Indirect, Female, 10 Amp, 5 Circuit, Position Keys 1a, 2b, 3b, 4b, 5b, Code Keys d10, 02c, 04c, d50, Reference K30

**Documents:**

[3D Model](#)

[Drawing \(PDF\)](#)

[Product Specification PS-99020-0037 \(PDF\)](#)

[RoHS Certificate of Compliance \(PDF\)](#)

**Agency Certification**

CSA LR19980  
UL E29179

**General**

Product Family IDT and Solder Connectors  
Series [91778](#)  
Crimp Quality Equipment Yes  
Overview [rast 5 connector system](#)  
Product Name RAST 5  
Use With RAST standard interface

**Physical**

Circuits (Loaded) 5  
Circuits (maximum) 5  
Color - Resin Natural (White)  
Durability (mating cycles max) 10  
Flammability 94V-2  
Gender Female  
Glow-Wire Compliant Yes  
Lock to Mating Part Yes  
Material - Metal Phosphor Bronze  
Material - Plating Mating Tin  
Material - Plating Termination Tin  
Material - Resin Nylon  
Number of Rows 1  
Packaging Type Tray  
Panel Mount No  
Pitch - Mating Interface (in) 0.197 In  
Pitch - Mating Interface (mm) 5.00 mm  
Pitch - Term. Interface (in) 0.197 In  
Pitch - Term. Interface (mm) 5.00 mm  
Plating min: Mating (µin) 200  
Plating min: Mating (µm) 5  
Plating min: Termination (µin) 200  
Plating min: Termination (µm) 5  
Polarized to Mating Part Yes  
Stackable No  
Temperature Range - Operating -20C TO +120C  
Termination Interface: Style IDT or Pierce  
Wire Size AWG 22, 24

**Electrical**

Current - Maximum per Contact 10A  
Voltage - Maximum 250V AC

**Material Info**

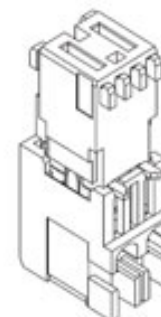


image - Reference only

Series

**EU RoHS**

**ELV and RoHS Compliant**

**REACH SVHC**

Not Reviewed

**Halogen-Free**

**Status**

**Not Reviewed**

**China RoHS**



**Need more information on product environmental compliance?**

Email [productcompliance@molex.com](mailto:productcompliance@molex.com)  
For a multiple part number RoHS Certificate of Compliance, [click here](#)

Please visit the [Contact Us](#) section for any non-product compliance questions.

**Search Parts in this Series**

[91778Series](#)

**Mates With**

[90858](#) RAST Vertical Header,

**Application Tooling | FAQ**

*Tooling specifications and manuals are found by selecting the products below. Crimp Height Specifications are then contained in the Application Tooling Specification document.*

**Global**

Description	Product #
RAST 5.0 Semi-Automatic Terminator Machine for Appli-Mate™ Connector 6 and 10 AMP	<a href="#">0623006300</a>

**Reference - Drawing Numbers**

Application Specification

Product Specification

Sales Drawing

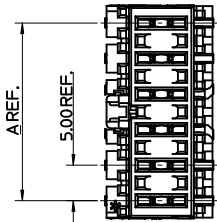
AS-99033-0004

PS-99020-0037

SD-91778-001

This document was generated on 05/28/2010

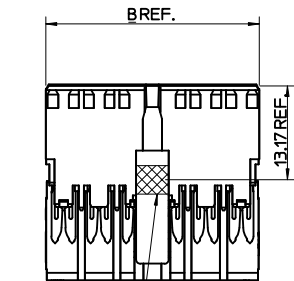
**PLEASE CHECK [WWW.MOLEX.COM](http://WWW.MOLEX.COM) FOR LATEST PART INFORMATION**



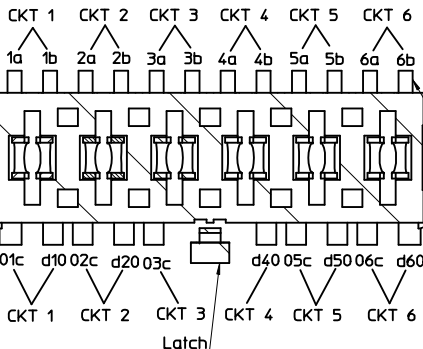
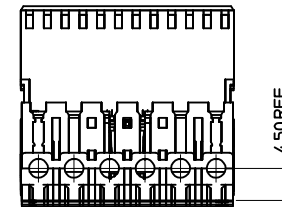
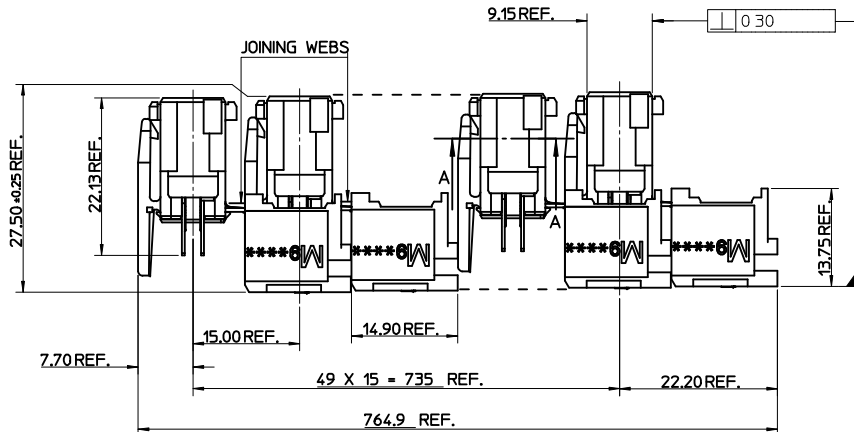
PARTIAL1  
Scale 2:1

NOTES:

1. MATERIALS  
HOUSING: PA 6, UL94 V-2  
COLOUR: SEE TABLES SHEET 2 to 6  
TERMINALS: PHOSPHOR BRONZE, 0.40/(0.016) THICK REF.  
PLATING: 5um/(200uin) MIN PURE Sn
2. PRODUCT CONFORMS TO SPECIFICATION PS-99020-0037
3. ACCEPTS CABLE, PER ES-99036-0008 OR ES-99036-0009  
AS PER THE APPLICATION SPECIFICATION AS-99033-0004
4. SEE SUBSEQUENT SHEETS FOR PART NUMBERS SHOWING THE VARIOUS CODING, KEYING AND LATCHING OPTIONS
5. SEE SHEETS 2 to 6 FOR DETAILS
6. PACKAGING SPECIFICATION PK-90833-001

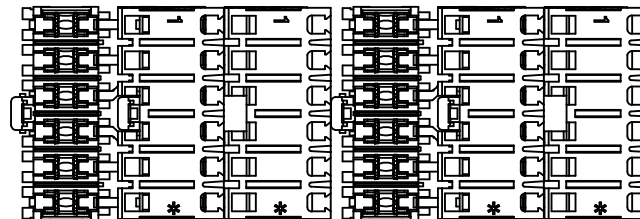


COLOUR STRIPE  
SEE NOTE 5



KEYING, CODING & LATCH IDENTIFICATION  
(6 CKT EXAMPLE SHOWN)

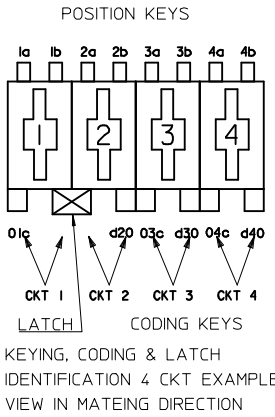
A-A  
Scale 4:1



Ckt Size	A	B
2	5.00	9.90
3	10.00	14.90
4	15.00	19.90
5	20.00	24.90
6	25.00	29.90
7	30.00	34.90
8	35.00	39.90
9	40.00	44.90
10	45.00	49.90
11	50.00	54.90
12	55.00	59.90

HOUSING LINK CHANGE + PN EC NO: E2010-0090 DRAWN BY: 2009/10/19 CHKD-T: TOURISH 2009/10/21 APPR: BMAGUIRE 2009/10/22	QUALITY SYMBOLS ▽=0 ▽=0	GENERAL TOLERANCES (UNLESS SPECIFIED)		DIMENSION STYLE <b>MM ONLY</b>		SCALE <b>2:1</b>	DESIGN UNITS <b>METRIC</b>	THIRD ANGLE PROJECTION
		4 PLACES ± --- ± --- 3 PLACES ± --- ± --- 2 PLACES ± 0.1 ± --- 1 PLACE ± 0.2 ± --- ANGULAR ± 1/2°	mm INCH ± --- ± --- ± 0.1 ± --- ± 0.2 ± ---	DRAWN BY GMCSWEEN CHECKED BY BMAGUIRE APPROVED BY BMAGUIRE MATERIAL NO.	DATE 2004/10/12 DATE 2005/01/07 DATE 2005/01/07	TITLE <b>5MM APPLI-MATE 10A F-INDIRECT CONN ASSY</b>	DOCUMENT NO. <b>SD-91778-001</b>	
DRAFT WHERE APPLICABLE MUST REMAIN WITHIN DIMENSIONS		<b>SEE CHARTS</b>		THIS DRAWING CONTAINS INFORMATION THAT IS PROPRIETARY TO MOLEX INCORPORATED AND SHOULD NOT BE USED WITHOUT WRITTEN PERMISSION				

MOLEX PART NO	CIRCUIT SIZE	COLOUR	POSITION KEYS	CODING KEYS	LATCH POSITION	CONFIGURATION	REF	COLOUR STRIPE
91778-0001	2	NATURAL	ALL	ALL	1/2		K00	NONE
91778-0002	2	NATURAL	1b 2a	01c d20	1/2		K01	NONE
91778-0003	2	NATURAL	1a 2b	01c	1/2		K02	NONE
91778-0004	2	NATURAL	2a	01c d20	1/2		K03	NONE
91778-0005	2	NATURAL	1a 2b	d20	1/2		K05	NONE
91778-0006	2	NATURAL	1b 2b	01c	1/2		K09	NONE
91778-0007	2	NATURAL	1a 2a	01c	1/2		K10	NONE
91778-0008	2	NATURAL	2b	01c d20	1/2		K15	NONE
91778-0009	2	NATURAL	1a 1b	01c d20	1/2		K47	NONE
91778-0010	2	NATURAL	2b	NONE	1/2		K11	NONE
91778-0011	2	NATURAL	1a 1b	01c	1/2		K04	NONE
91778-0012	2	NATURAL	1a	01c d20	1/2		K12	NONE
91778-0013	2	NATURAL	1b 2a	01c	1/2		K14	NONE
91778-0014	2	NATURAL	ALL	01c	1/2		K33	NONE
91778-0015	2	NATURAL	1a 1b	01c	1/2		K04	NONE
91778-0016	2	NATURAL	1b	01c d20	1/2		K16	NONE
91778-0017	2	NATURAL	1a 2b	NONE	1/2		K06	NONE
91778-0018	2	NATURAL	2b	d20	1/2		K38	NONE
91778-0019	2	NATURAL	1a 2a	01c d20	1/2		K44	NONE



MOLEX PART NO	CIRCUIT SIZE	COLOUR	POSITION KEYS	CODING KEYS	LATCH POSITION	CONFIGURATION	REF	COLOUR STRIPE
91778-0020	2	NATURAL	1b 2a 2b	d20	1/2		K07	NONE
91778-0021	2	NATURAL	All	d20	1/2		K34	NONE
91778-0022	2	NATURAL	1a 2b	d20	1/2		K05	BLACK
91778-0023	2	NATURAL	NONE	ALL	1/2		K54	RED
91778-0024	2	NATURAL	1b 2a	01c	NONE		K--	NONE
91778-0025	2	BLACK	ALL	d20	1/2		K34	NONE
91778-0026	2	NATURAL	1b	ALL	NONE		K--	NONE
91778-0027	2	NATURAL	ALL	ALL	NONE		K--	NONE
91778-0028	2	NATURAL	NONE	01c	1/2 b		K--	NONE
91778-0029	2	NATURAL	1a 2b	NONE	1/2 b		K--	NONE
91778-0030	2	NATURAL	2a	01c	1/2		K--	NONE

SEE SHEET 1  
 EC NO: E2010-0090  
 DRAWN: BRUTTLE 2009/10/19  
 CHKD: TOURISH 2009/10/21  
 APPR: BMAGUIRE 2009/10/22

QUALITY SYMBOLS  
 ▽=0  
 ▽=0

GENERAL TOLERANCES (UNLESS SPECIFIED)

	mm	INCH
4 PLACES	± .005	± .0002
3 PLACES	± .008	± .0003
2 PLACES	± 0.1	± .004
1 PLACE	± 0.2	± .008

ANGULAR ±1/2°

DRAFT WHERE APPLICABLE MUST REMAIN WITHIN DIMENSIONS

DIMENSION STYLE  
**MM ONLY**

SCALE  
**1:1**

DESIGN UNITS  
**METRIC**

THIRD ANGLE PROJECTION

DRAWN BY: GMC SWEEN  
 DATE: 2004/10/12

CHECKED BY: BMAGUIRE  
 DATE: 2005/01/07

APPROVED BY: BMAGUIRE  
 DATE: 2005/01/07

MATERIAL NO.  
**SEE CHARTS**

5MM APPLI-MATE 10A F-INDIRECT CONN ASSY

**MOLEX INCORPORATED**

DOCUMENT NO. SD-91778-001

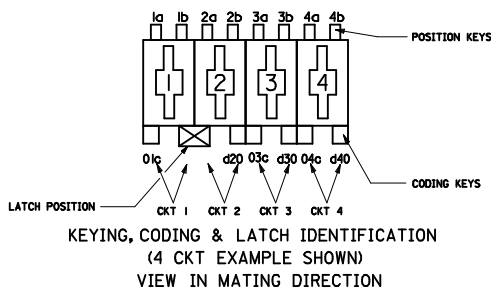
SHEET NO. 2 OF 7

THIS DRAWING CONTAINS INFORMATION THAT IS PROPRIETARY TO MOLEX INCORPORATED AND SHOULD NOT BE USED WITHOUT WRITTEN PERMISSION

MOLEX PART NO.	CIRCUIT SIZE	COLOUR	POSITION KEYS	CODING KEYS	LATCH POSITION	CONFIGURATION	REF	COLOUR STRIPE
91778-0101	3	NATURAL	ALL	ALL	1/2		K00	NONE
91778-0102	3	NATURAL	ALL	ALL	2/3		K90	NONE
91778-0103	3	NATURAL	1b	01c d20	1/2		K01	NONE
91778-0104	3	NATURAL	1a	03c	1/2		K04	NONE
91778-0105	3	NATURAL	1a 1b	d30	1/2		K05	NONE
91778-0106	3	NATURAL	1b 2a 2b	d30	1/2		K33	NONE
91778-0107	3	NATURAL	ALL	d10 d30	2/3		K38	NONE
91778-0108	3	NATURAL	1a 3a	01c	1/2		K07	NONE
91778-0109	3	NATURAL	1b 3a	01c	1/2		K03	NONE
91778-0110	3	NATURAL	2a	02c d30	2/3		K57	NONE
91778-0111	3	NATURAL	2b	d20	1/2		K08	NONE
91778-0112	3	NATURAL	1b	d20 03c	1/2		K09	NONE
91778-0113	3	NATURAL	1a 1b 2a 3a	01c 02c d30	2/3		K12	NONE
91778-0114	3	NATURAL	1a 2a	d30	2/3		K...	NONE
91778-0115	3	NATURAL	2a	d10 d30	2/3		K44	NONE
91778-0116	3	NATURAL	3b	01c d30	1/2		K37	NONE
91778-0117	3	NATURAL	2b 3b	d10 02c	2/3		K02	NONE
91778-0118	3	NATURAL	2a	d10 02c d30	2/3		K**	NONE
91778-0119	3	NATURAL	1a	01c d20 03c	1/2		K**	NONE
91778-0120	3	NATURAL	1b 2A	01c d20	1/2		K**	NONE
91778-0121	3	NATURAL	2A	ALL	2/3		K**	NONE
91778-0122	3	NATURAL	1a, 2b, 3a, 3b	d20	none		K**	NONE
91778-0123	3	NATURAL	1a	NONE	1/2		K**	NONE

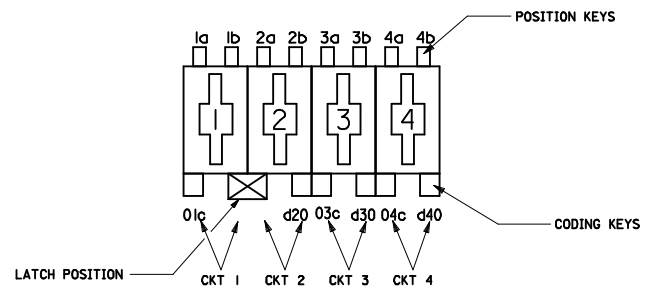
MOLEX PART NO.	CIRCUIT SIZE	COLOUR	POSITION KEYS	CODING KEYS	LATCH POSITION	CONFIGURATION	REF	COLOUR STRIPE
91778-0124	3	BLACK	ALL	d10	2/3		K41	NONE
91778-0125	3	NATURAL	ALL	d20	1/2		K40	NONE
91778-0126	3	NATURAL	1a 2b 3a 3b	d20	1/2 b		K--	NONE
91778-0127	3	NATURAL	2a 2b 3a 3b	01c d30	2/3		K--	NONE
91778-0128	3	NATURAL	2a 2b	01c d20	1/2		K--	NONE

MOLEX PART NO.	CIRCUIT SIZE	COLOUR	POSITION KEYS	CODING KEYS	LATCH POSITION	CONFIGURATION	REF	COLOUR STRIPE
91778-0201	4	NATURAL	ALL	ALL	1/2 & 3/4		K00	NONE
91778-0202	4	NATURAL	1b	03c d40	1/2 & 3/4		K01	NONE
91778-0203	4	NATURAL	ALL	d20 03c	1/2 & 3/4		K35	NONE
91778-0204	4	NATURAL	1b	d20 03c	1/2 & 3/4		K38	NONE
91778-0205	4	NATURAL	1a 4b	d40	1/2 & 3/4		K03	NONE
91778-0206	4	NATURAL	1a 3a 3b	01c d20 d40	1/2 & 3/4		K32	NONE
91778-0207	4	NATURAL	1b 2a 3a 4b	01c d40	1/2 & 3/4		K37	NONE
91778-0208	4	NATURAL	1a 4b	01c	1/2 & 3/4		K02	NONE
91778-0209	4	NATURAL	3b	d30	2/3		K04	NONE
91778-0210	4	NATURAL	1a 1b 3a 3b	01c 03c	1/2 & 3/4		K93	NONE
91778-0211	4	NATURAL	1a 2a 4a	01c 03c d40	1/2 & 3/4		K43	NONE
91778-0212	4	NATURAL	1a 1b 3a 3b	ALL	1/2 & 3/4		K**	NONE
91778-0213	4	NATURAL	1a 1b 3a 4a 4b	ALL	1/2		K**	NONE
91778-0214	4	NATURAL	1b	03c d40	1/2 3/4		K01	GREEN
91778-0215	4	NATURAL	2a 3b	NONE	1/2 3/4		K**	BLACK



SEE SHEET 1 EC NO: E2010-0090 DRAWN: BRUTTLE 2009/10/19 CHKD: T. TOURISH 2009/10/21 APPR: BMAGUIRE 2009/10/22	QUALITY SYMBOLS 	GENERAL TOLERANCES (UNLESS SPECIFIED) <table border="1"> <tr><th></th><th>mm</th><th>INCH</th></tr> <tr><td>4 PLACES</td><td>± .005</td><td>± .0004</td></tr> <tr><td>3 PLACES</td><td>± .008</td><td>± .0005</td></tr> <tr><td>2 PLACES</td><td>± .015</td><td>± .0008</td></tr> <tr><td>1 PLACE</td><td>± .030</td><td>± .0015</td></tr> </table>		mm	INCH	4 PLACES	± .005	± .0004	3 PLACES	± .008	± .0005	2 PLACES	± .015	± .0008	1 PLACE	± .030	± .0015	DIMENSION STYLE <b>MM ONLY</b>	SCALE <b>1:1</b>	DESIGN UNITS <b>METRIC</b>	THIRD ANGLE PROJECTION 
		mm	INCH																		
	4 PLACES	± .005	± .0004																		
	3 PLACES	± .008	± .0005																		
2 PLACES	± .015	± .0008																			
1 PLACE	± .030	± .0015																			
DRAFT WHERE APPLICABLE MUST REMAIN WITHIN DIMENSIONS	DRAWN BY GMCSWEEN 2004/10/12	DATE 2005/01/07	TITLE <b>5MM APPLI-MATE 10A F-INDIRECT CONN ASSY</b>	<b>MOLEX INCORPORATED</b>																	
APPROVED BY BMAGUIRE 2005/01/07	MATERIAL NO. <b>SEE CHARTS</b>	DATE 2005/01/07	DOCUMENT NO. <b>SD-91778-001</b>	SHEET NO. <b>3 OF 7</b>	THIS DRAWING CONTAINS INFORMATION THAT IS PROPRIETARY TO MOLEX INCORPORATED AND SHOULD NOT BE USED WITHOUT WRITTEN PERMISSION																

MOLEX PART NO.	CIRCUIT SIZE	COLOUR	POSITION KEYS	CODING KEYS	LATCH POSITION	CONFIGURATION	REF	COLOUR STRIPE
91778-0301	5	NATURAL	1a 3a	01c d30	1/2 & 4/5		K30	NONE
91778-0302	5	NATURAL	1a 5b	01c d20 03c d50	1/2 & 3/4		K31	NONE
91778-0303	5	NATURAL	2a	01c d50	2/3 & 4/5		K43	NONE
91778-0304	5	NATURAL	ALL	01c d50	2/3 & 4/5		K42	NONE
91778-0305	5	NATURAL	ALL	ALL	2/3 & 4/5		K92	NONE
91778-0306	5	NATURAL	ALL	ALL	1/2 & 3/4		K00	NONE
91778-0307	5	NATURAL	ALL	ALL	1/2 & 4/5		K90	NONE
91778-0308	5	NATURAL	2a 4b	01c d20 d40	1/2 & 3/4		K44	NONE
91778-0309	5	NATURAL	1a 3a	01c d30 d50	1/2 & 4/5		K49	NONE
91778-0310	5	NATURAL	NONE	01c d40	1/2 & 3/4		K**	NONE
91778-0311	5	NATURAL	1a 5b	01c d20 03c d50	1/2 & 3/4		K31	NONE
91778-0312	5	NATURAL	2a	01c d50	2/3 4/5		K43	NONE
91778-0313	5	NATURAL	1a 2b 3b 4b 5b	d10 02c 04c d50	4/5		K**	NONE
91778-0314	5	NATURAL	5b	01c d20 03c d50	4/5		K**	NONE
91778-0315	5	NATURAL	ALL	d20, d40	1/2 3/4		K84	NONE
91778-0316	5	NATURAL	5b	d30	1/2		K**	NONE



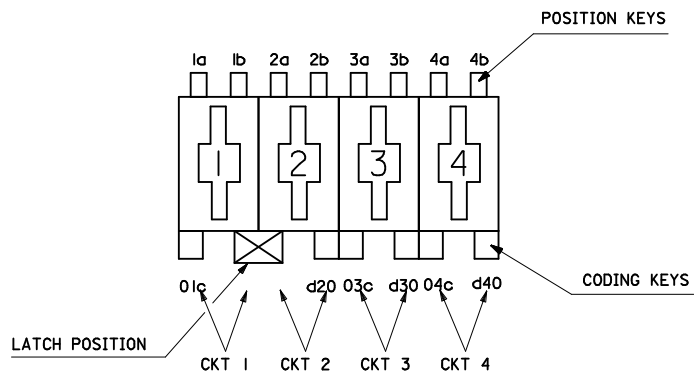
KEYING, CODING & LATCH IDENTIFICATION  
(4 CKT EXAMPLE SHOWN)  
VIEW IN MATING DIRECTION

<b>SEE SHEET 1</b> EC NO: E2010-0090 DRAWN BY: 2009/10/19 CHKD: T. TOURISH 2009/10/21 APPR: BMAGUIRE 2009/10/22 DESCRIPTION:	<b>QUALITY SYMBOLS</b>  	<b>GENERAL TOLERANCES (UNLESS SPECIFIED)</b> <table border="1"> <thead> <tr> <th></th> <th>mm</th> <th>INCH</th> </tr> </thead> <tbody> <tr> <td>4 PLACES</td> <td>± ---</td> <td>± ---</td> </tr> <tr> <td>3 PLACES</td> <td>± ---</td> <td>± ---</td> </tr> <tr> <td>2 PLACES</td> <td>± 0.1</td> <td>± ---</td> </tr> <tr> <td>1 PLACE</td> <td>± 0.2</td> <td>± ---</td> </tr> </tbody> </table>		mm	INCH	4 PLACES	± ---	± ---	3 PLACES	± ---	± ---	2 PLACES	± 0.1	± ---	1 PLACE	± 0.2	± ---	<b>DIMENSION STYLE</b> <b>MM ONLY</b> DRAWN BY: GMCSWEEN DATE: 2004/10/12 CHECKED BY: BMAGUIRE DATE: 2005/01/07 APPROVED BY: BMAGUIRE DATE: 2005/01/07 MATERIAL NO.	<b>SCALE</b> 1:1 <b>DESIGN UNITS</b> METRIC <b>THIRD ANGLE PROJECTION</b>	<b>TITLE</b> 5MM APPLI-MATE 10A F-INDIRECT CONN ASSY
		mm	INCH																	
	4 PLACES	± ---	± ---																	
	3 PLACES	± ---	± ---																	
2 PLACES	± 0.1	± ---																		
1 PLACE	± 0.2	± ---																		
DRAFT WHERE APPLICABLE MUST REMAIN WITHIN DIMENSIONS	<b>SEE CHARTS</b> SIZE: A2 THIS DRAWING CONTAINS INFORMATION THAT IS PROPRIETARY TO MOLEX INCORPORATED AND SHOULD NOT BE USED WITHOUT WRITTEN PERMISSION	<b>MOLEX</b> MOLEX INCORPORATED DOCUMENT NO. SD-91778-001	SHEET NO. 4 OF 7																	

MOLEX PART NO.	CIRCUIT SIZE	COLOUR	POSITION KEYS	CODING KEYS	LATCH POSITION	CONFIGURATION	REF	COLOUR STRIPE
91778-0401	6	NATURAL	ALL	ALL	2/3 & 4/5		K90	NONE
91778-0402	6	NATURAL	1b	03c d60	1/2 & 5/6		K91	NONE
91778-0403	6	NATURAL	ALL	ALL	1/2 & 5/6		K53	NONE
91778-0404	6	NATURAL	5b	01c d40	1/2 & 5/6		K61	NONE
91778-0405	6	NATURAL	1b 6a	d30	1/2 & 5/6		K...	NONE
91778-0406	6	NATURAL	2b 6b	d40	1/2 & 5/6		K04	NONE
91778-0407	6	NATURAL	5b	02c 06c	3/4		K**	NONE
91778-0408	6	NATURAL	1b 3a 4b 5a 5b 6b	01c d60	2/3		K**	NONE
91778-0409	6	NATURAL	1b 2a 5b 6b	d50 06c	3/4		K**	NONE
91778-0410	6	BLACK	ALL	02c, d50	2/3, 4/5		K38	NONE

MOLEX PART NO.	CIRCUIT SIZE	COLOUR	POSITION KEYS	CODING KEYS	LATCH POSITION	CONFIGURATION	REF	COLOUR STRIPE
91778-0601	8	NATURAL	ALL	ALL	3/4 & 5/6		K00	NONE
91778-0602	8	NATURAL	1b 3a 3b 5a 5b 7a 8a	01c d20 03c 05c 07c	3/4 & 5/6		K36	NONE
91778-0603	8	NATURAL	ALL	ALL	1/2 & 7/8		K90	NONE
91778-0604	8	NATURAL	ALL	03c d60	1/2 & 7/8		K39	NONE
91778-0605	8	NATURAL	2b 8a	03c d60	1/2 & 7/8		K...	NONE
91778-0606	8	NATURAL	8b	02c d30 07c	2/3 & 7/8		K...	NONE
91778-0607	8	NATURAL	2b 8a	03c d60	1/2		K...	NONE
91778-0608	8	NATURAL	8b	02c d30	2/3		K49	NONE
91778-0609	8	NATURAL	NONE	d20 03c d60 07c	1/2 & 7/8		K...	NONE

MOLEX PART NO.	CIRCUIT SIZE	COLOUR	POSITION KEYS	CODING KEYS	LATCH POSITION	CONFIGURATION	REF	COLOUR STRIPE
91778-0501	7	NATURAL	2b	d20 07c	1/2 & 5/6		K37	NONE
91778-0502	7	NATURAL	ALL	ALL	1/2 & 5/6		K00	NONE
91778-0503	7	NATURAL	NONE	d20	1/2 & 5/6		K44	NONE
91778-0504	7	NATURAL	ALL	ALL	2/3 & 6/7		K90	NONE
91778-0505	7	NATURAL	ALL	02c d50	2/3 & 6/7		K49	NONE
91778-0506	7	NATURAL	NONE	d20 03c 07c	5/6		K**	NONE
91778-0507	7	NATURAL	1a 6b	03c 07c	4/5		K**	NONE
91778-0508	7	NATURAL	NONE	04c 05c	1/2 5/6		K**	NONE
91778-0509	7	NATURAL	NONE	04c 07c	1/2 5/6		K**	NONE
91778-0510	7	NATURAL	NONE	d20, 03c, d70	1/2 5/6		K**	NONE
91778-0511	7	NATURAL	NONE	d20, 07c	1/2 & 5/6		--	NONE
91778-0512	7	NATURAL	NONE	d20, 03c	1/2 & 5/6		--	NONE

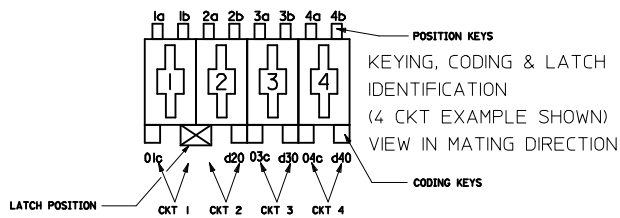


KEYING, CODING & LATCH IDENTIFICATION  
(4 CKT EXAMPLE SHOWN)  
VIEW IN MATING DIRECTION

SEE SHEET 1 EC NO: E2010-0090 DRAWN BY: DRW:BRUTTE 2009/10/19 CHKD: T. TOURISH 2009/10/21 APPR: BMAGUIRE 2009/10/22	QUALITY SYMBOLS ▽=0 ▽=0	GENERAL TOLERANCES (UNLESS SPECIFIED) mm INCH 4 PLACES ± --- ± --- 3 PLACES ± --- ± --- 2 PLACES ± 0.1 ± --- 1 PLACE ± 0.2 ± --- ANGULAR ± 1/2°	DIMENSION STYLE MM ONLY DRAWN BY: GMCSWEEN 2004/10/12 DATE: 2004/10/12 CHECKED BY: BMAGUIRE 2005/01/07 DATE: 2005/01/07 APPROVED BY: BMAGUIRE 2005/01/07 DATE: 2005/01/07	SCALE: 1:1 DESIGN UNITS: METRIC THIRD ANGLE PROJECTION	TITLE: 5MM APPLI-MATE 10A F-INDIRECT CONN ASSY
	DRAFT WHERE APPLICABLE MUST REMAIN WITHIN DIMENSIONS	SEE CHARTS	MATERIAL NO. SD-91778-001	MOLEX INCORPORATED	SHEET NO. 5 OF 7
	THIS DRAWING CONTAINS INFORMATION THAT IS PROPRIETARY TO MOLEX INCORPORATED AND SHOULD NOT BE USED WITHOUT WRITTEN PERMISSION				
	DOCUMENT NO.				

MOLEX PART NO.	CIRCUIT SIZE	COLOUR	POSITION KEYS	CODING KEYS	LATCH POSITION	CONFIGURATION	REF	COLOUR STRIPE
91778-0701	9	NATURAL	ALL	ALL	3/4 & 6/7		K00	NONE
91778-0702	9	NATURAL	1b 2a 3a 5a 6a 7b 8b	01c 03c d70 08c d90	3/4 & 6/7		K34	NONE
91778-0703	9	NATURAL	2b 5a	d80	2/3 & 7/8		K03	NONE
91778-0704	9	NATURAL	7b	03c	5/6		K0A	NONE
91778-0705	9	NATURAL	2b 3b 4a 5a 6b	d10 02c 04c 08c d90	2/3 & 4/5 6/7 & 8/9		K--	NONE
91778-0706	9	NATURAL	7b 2a 4b 5a 8b 9b	01c d20 d70 08c	1/2 & 4/5 6/7 & 8/9		K--	NONE
91778-0707	9	NATURAL	5b 6a	NONE	3/4 & 7/8		K--	NONE
91778-0708	9	NATURAL	5b 6a	d30 d70	1/2 & 6/7		K--	NONE
91778-0709	9	NATURAL	5b	d30, 04c d70, 08c	1/2 & 6/7		K--	NONE

MOLEX PART NO.	CIRCUIT SIZE	COLOUR	POSITION KEYS	CODING KEYS	LATCH POSITION	CONFIGURATION	REF	COLOUR STRIPE
91778-0801	10	NATURAL	ALL	ALL	3/4 & 7/8		K00	NONE
91778-0802	10	NATURAL	1a 3b 7b 8a	01c d20 d40 05c d100	3/4 & 7/8		K34	NONE
91778-0803	10	NATURAL	ALL	ALL	4/5 & 7/8		K98	NONE
91778-0804	10	NATURAL	ALL	ALL	4/5 & 6/7		K99	NONE
91778-0805	10	NATURAL	1a 10b	07c	4/5 & 7/8		K39	NONE
91778-0806	10	NATURAL	1b 9a	06c	4/5 & 6/7		K40	NONE
91778-0807	10	NATURAL	1b	03c	5/6		K--	NONE
91778-0808	10	NATURAL	4b 6b 8a 8b	d100	5/6		K**	NONE
91778-0809	10	NATURAL	4b 6b 8a 8b	06c d100	NONE		K**	NONE
91778-0810	10	NATURAL	NONE	d30 04c d70 08c	2/3 8/9		K**	NONE

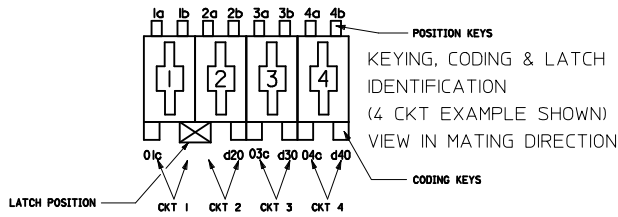


NEW PART NUMBERS EC NO: E2010-0090 DRWN: BRUTTLE 2009/10/19 CHKD: T. TOURISH 2009/10/21 APPR: BMAGUIRE 2009/10/22	QUALITY SYMBOLS ▽=0 ▽=0	GENERAL TOLERANCES (UNLESS SPECIFIED)	DIMENSION STYLE MM ONLY	SCALE 1:1	DESIGN UNITS METRIC	THIRD ANGLE PROJECTION																																			
	<table border="1"> <tr> <th></th> <th>mm</th> <th>INCH</th> </tr> <tr> <td>4 PLACES</td> <td>± ---</td> <td>± ---</td> </tr> <tr> <td>3 PLACES</td> <td>± ---</td> <td>± ---</td> </tr> <tr> <td>2 PLACES</td> <td>± 0.1</td> <td>± ---</td> </tr> <tr> <td>1 PLACE</td> <td>± 0.2</td> <td>± ---</td> </tr> </table>		mm	INCH	4 PLACES	± ---	± ---	3 PLACES	± ---	± ---	2 PLACES	± 0.1	± ---	1 PLACE	± 0.2	± ---	<table border="1"> <tr> <th>DRAWN BY</th> <th>DATE</th> <th>TITLE</th> </tr> <tr> <td>GMCSWEEN</td> <td>2004/10/12</td> <td>5MM APPLI-MATE 10A F-INDIRECT CONN ASSY</td> </tr> <tr> <th>CHECKED BY</th> <th>DATE</th> <th></th> </tr> <tr> <td>BMAGUIRE</td> <td>2005/01/07</td> <td></td> </tr> <tr> <th>APPROVED BY</th> <th>DATE</th> <th></th> </tr> <tr> <td>BMAGUIRE</td> <td>2005/01/07</td> <td></td> </tr> </table>	DRAWN BY	DATE	TITLE	GMCSWEEN	2004/10/12	5MM APPLI-MATE 10A F-INDIRECT CONN ASSY	CHECKED BY	DATE		BMAGUIRE	2005/01/07		APPROVED BY	DATE		BMAGUIRE	2005/01/07		<table border="1"> <tr> <th>MATERIAL NO.</th> <th>DOCUMENT NO.</th> </tr> <tr> <td>SEE CHARTS</td> <td>SD-91778-001</td> </tr> </table>		MATERIAL NO.	DOCUMENT NO.	SEE CHARTS	SD-91778-001
	mm	INCH																																							
4 PLACES	± ---	± ---																																							
3 PLACES	± ---	± ---																																							
2 PLACES	± 0.1	± ---																																							
1 PLACE	± 0.2	± ---																																							
DRAWN BY	DATE	TITLE																																							
GMCSWEEN	2004/10/12	5MM APPLI-MATE 10A F-INDIRECT CONN ASSY																																							
CHECKED BY	DATE																																								
BMAGUIRE	2005/01/07																																								
APPROVED BY	DATE																																								
BMAGUIRE	2005/01/07																																								
MATERIAL NO.	DOCUMENT NO.																																								
SEE CHARTS	SD-91778-001																																								
DRAFT WHERE APPLICABLE MUST REMAIN WITHIN DIMENSIONS		THIS DRAWING CONTAINS INFORMATION THAT IS PROPRIETARY TO MOLEX INCORPORATED AND SHOULD NOT BE USED WITHOUT WRITTEN PERMISSION																																							



MOLEX PART NO.	CIRCUIT SIZE	COLOUR	POSITION KEYS	CODING KEYS	LATCH POSITION	CONFIGURATION	REF	COLOUR STRIPE
91778-0901	11	NATURAL	ALL	ALL	3/4 & 8/9		K00	NONE
91778-0902	11	NATURAL	1a 2b 3b 4a 4b 5a 7a 8a 9a 10a 11a	01c d40 05c 08c 010c	3/4 & 8/9		K33	NONE

MOLEX PART NO.	CIRCUIT SIZE	COLOUR	POSITION KEYS	CODING KEYS	LATCH POSITION	CONFIGURATION	REF	COLOUR STRIPE
91778-1001	12	NATURAL	ALL	ALL	3/4 & 9/10		K00	NONE
91778-1002	12	NATURAL	1a 2a 4a 4b 5a 6b 8a 11a	01c 03c 05c 07c d80 d100 11c	3/4 & 9/10		K41	NONE



<b>SEE SHEET 1</b> EC NO: E2010-0090 DRAWN: BRUTTLE 2009/10/19 CHKD: T. TOURISH 2009/10/21 APPR: BMAGUIRE 2009/10/22	QUALITY SYMBOLS 	GENERAL TOLERANCES (UNLESS SPECIFIED)		DIMENSION STYLE <b>MM ONLY</b>		SCALE <b>1:1</b>	DESIGN UNITS <b>METRIC</b>	FIRST ANGLE PROJECTION
		4 PLACES ± --- ± --- 3 PLACES ± --- ± --- 2 PLACES ± 0.1 ± --- 1 PLACE ± 0.2 ± --- ANGULAR ± 1/2°	mm INCH ± --- ± --- ± 0.1 ± --- ± 0.2 ± ---	DRAWN BY GMCSWEEN 2004/10/12 DATE	CHECKED BY BMAGUIRE 2005/01/07 DATE	TITLE <b>5MM APPLI-MATE 10A F-INDIRECT CONN ASSY</b>		
DRAFT WHERE APPLICABLE MUST REMAIN WITHIN DIMENSIONS		SEE CHARTS		MATERIAL NO. BMAGUIRE 2005/01/07		<b>MOLEX INCORPORATED</b>		DOCUMENT NO. <b>SD-91778-001</b>
		SIZE <b>A2</b>		THIS DRAWING CONTAINS INFORMATION THAT IS PROPRIETARY TO MOLEX INCORPORATED AND SHOULD NOT BE USED WITHOUT WRITTEN PERMISSION				SHEET NO. <b>7 OF 7</b>