

FEATURES

- High Reliability
- Thermal Protection
- Small Packaging
- Standard Output Voltage Adjustment (With External Potentiometer)
- Custom Control Chip Yields Compact Size with Low Cost
- Integrated Heat Sink

SPECIFICATIONS

INPUT

Voltage Range See Model Selection Table
 Max. Input Current See Model Selection Table

OUTPUT

Output Voltage See Model Selection Table
 Set Point $\pm 2\%$
 Regulation
 Total $\pm 5\%$
 Noise & Ripple, (peak-to-peak)
 5V Output 50 mV max.
 12V Output 70 mV max.
 Output Current See Model Selection Table
 Short-Circuit Protection Foldback with automatic reset

Efficiency 75 - 91% (typ.)

Remote ON / OFF Control Available

Instantaneous Output Current 1.2A/2.4A

ENVIRONMENTAL

Operating Ambient Temp. -10 to $+80^{\circ}\text{C}$ (See Derating Chart)

Storage Temp. -30 to $+85^{\circ}\text{C}$

Cooling Conditions No integrated heat sink

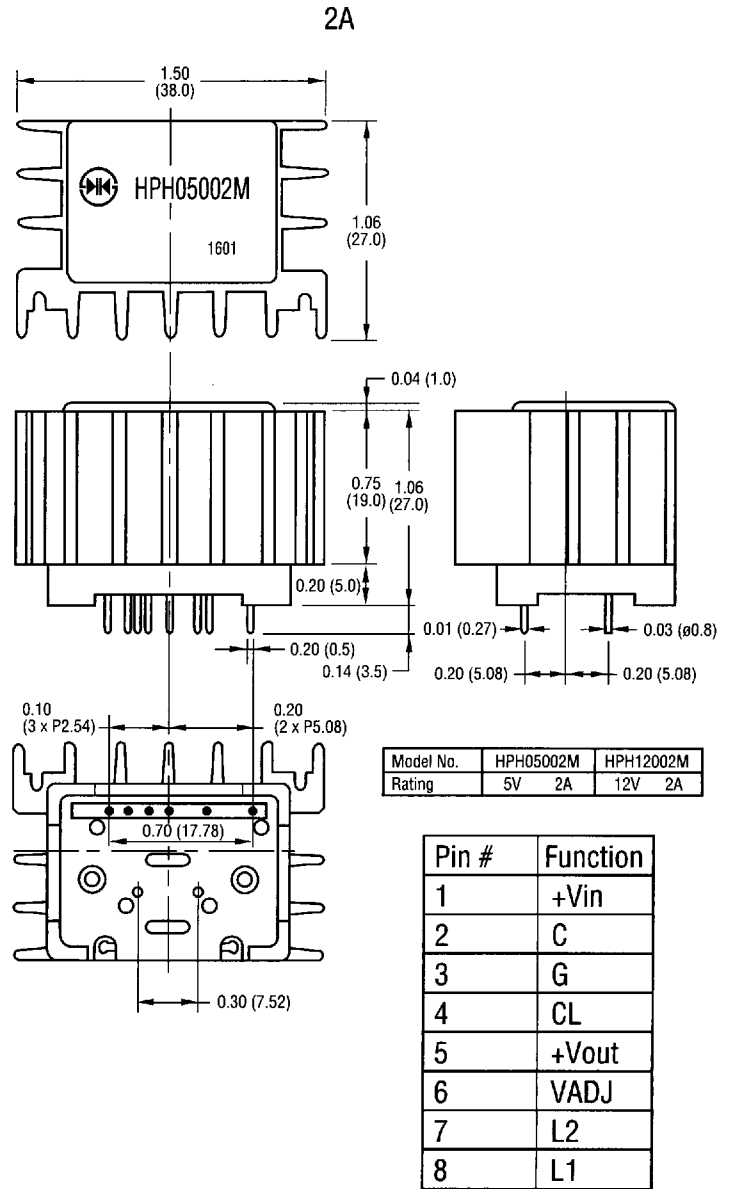
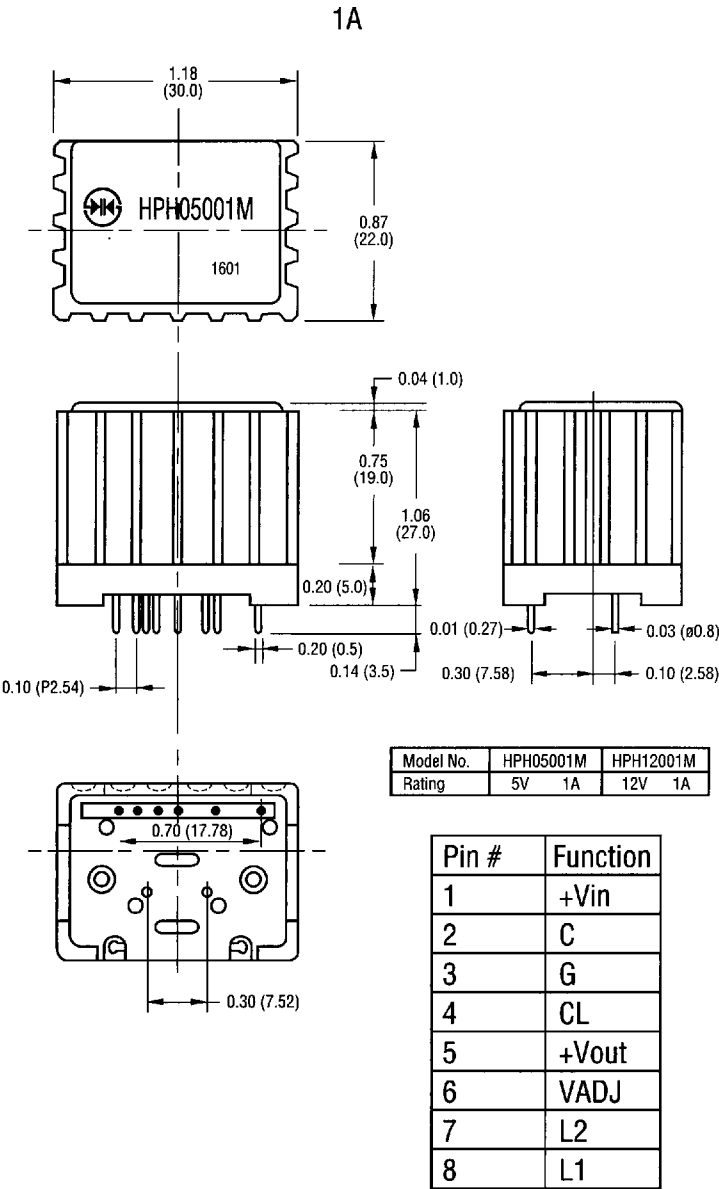
MODEL SPECIFICATIONS

Output			Model and Input Range
Volts	Range*	Amps	24-40 VDC
+5	3 to 11	1.0	HPH05001M
+12	8 to 24	1.0	HPH12001M
+5	2 to 11	2.0	HPH05002M
+12	8 to 20	2.0	HPH12002M

* With external potentiometer

MECHANICAL SPECIFICATIONS

Size (W x D x H) 1A 1.0 x 0.86 x 1.1 inches (25 x 22 x 30 mm)
 2A 1.0 x 1.06 x 1.5 inches (25 x 27 x 38 mm)



Dimensions in inches; () Dimensions in mm.