



Data Display Products

SINGLE PCB MOUNT LEDs

T-1¼ PACKAGE

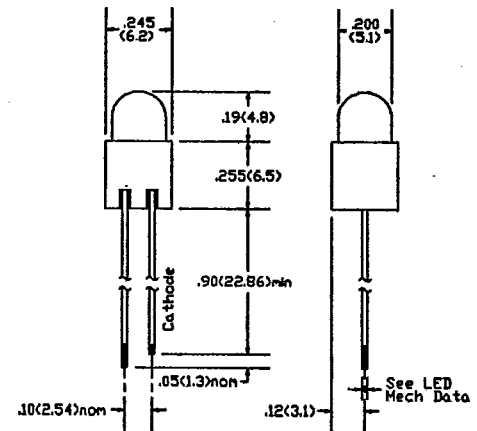
T-41-23

Red, Orange, Amber, Yellow or Green

Right Angle, 45 Degree Angle, or Vertical Mount LEDs

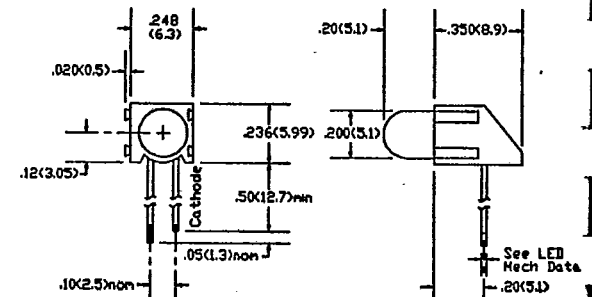
Integrated Resistor LEDs Available

Model	Series M - U Listed by Increasing Luminous Intensity	Encapsulation	Color
PCL200 (Right Angle Mount)	-M	C (Non-Diffused)	R (RED, All Series)
PCL200C (Right Angle Mount)	-B	For Diffused, Omit Letter	A (AMBER, All Series)
PCH200 (Right Angle Mount)	-E	W (Water Clear, E & U Series Only)	Y (YELLOW, E & U Series Only)
PCV200 (Vertical Mount)	-U		G (GREEN, All Series)
PCLR200 (Right Angle Mount)	Series Below Do Not Require Encapsulation or Color Code:		
PCL201-200 (Right Angle Mount)	-XLP ^[1] (Low Power, Diffused Only)		
PCA200 (Right Angle Mount)	-X-2 ^[1] (Dual Chip, Non- Diffused Only)		
PCL245 ^[3] (45° Angle Mount)	-LRG (Bi-Color, Red/Grn, Milky Diffused Only)		
	-RAG ^[2] (Tri-Color, Red/ Grn/Amb, Milky Diffused Only)		
	-BX5V ^[1] (Integrated Resistor for 5Vdc, Diffused Only)		
	-BX12V ^[1] (Integrated Resistor for 12Vdc, Diffused Only)		
	-ERB (Blinking Red, Diffused Only)		
	-R2K (Hi Intensity, Water Clear Red Only)		
	-R3K (Hi Intensity, Water Clear Red Only)		



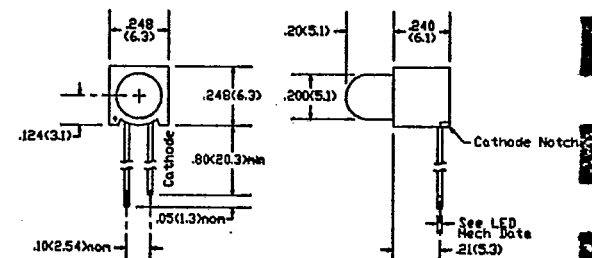
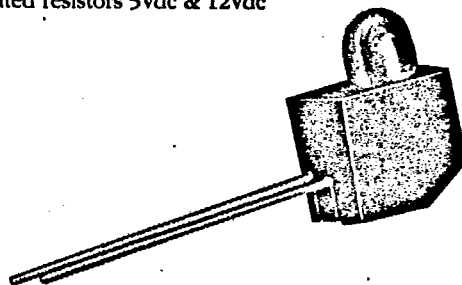
PCV200

All dimensions are in inches (mm)
Tolerances: .xx^x(x) +/-.025, .xxx^x(xx) +/-.010^x(.25)
Specifications are subject to change without notice.



PCLR200

1. Replace X with required color R (RED), A (AMBER) or G (GREEN). Dual Chip is also available in O (ORANGE).
2. Available with model PCH200 only
3. Not available with integrated resistors 5Vdc & 12Vdc



PCA200



SINGLE PCB MOUNT LEDs

Data Display Products

T-1 1/4 PACKAGE

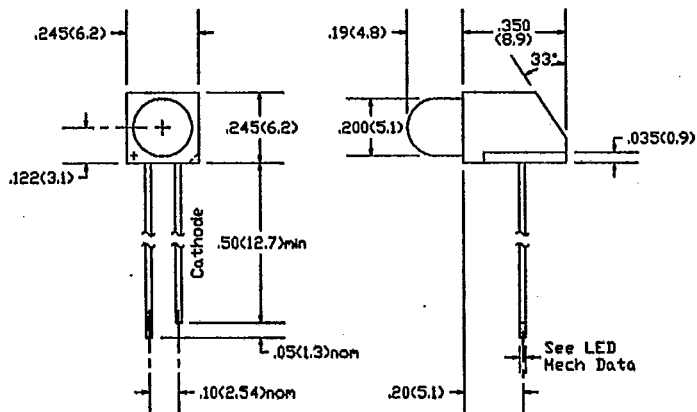
T-41-23



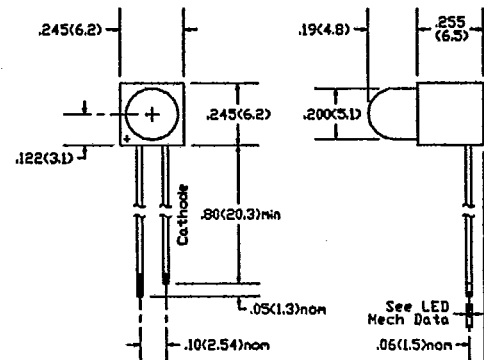
TO ORDER:

To build a part number, select one **BOLD** component from each column in the table except where noted.

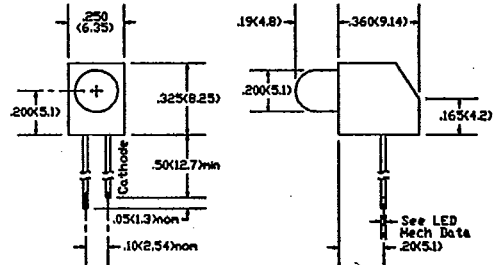
Example: PCH200-R-2 (Right Angle Mount, Dual Chip, RED)
PCV200-EWG (Vertical Mount, E Series, Water Clear GREEN)
PCA200-BA (Right Angle Mount, B Series, Diffused AMBER)



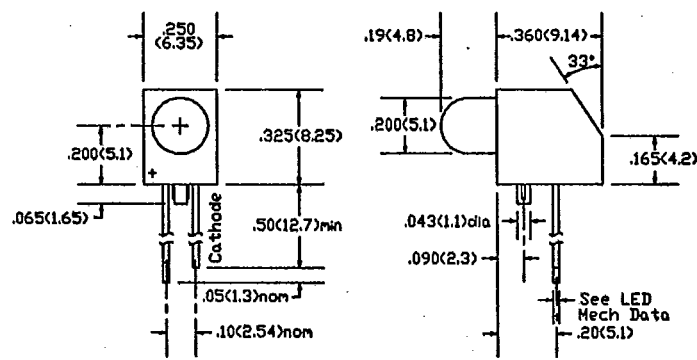
PCL200



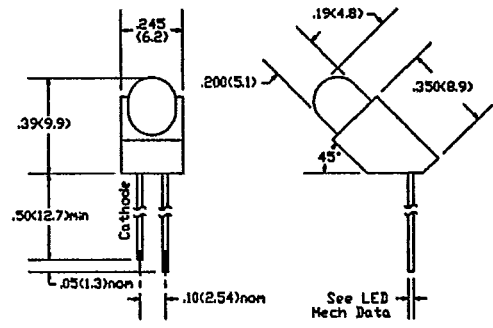
PCH200



PCL201-200



PCL200C



PCL245

All dimensions are in inches (mm)
Tolerances: .xx"(x) +/- .025, .xxx"(xx) +/- .010"(.25)
Specifications are subject to change without notice.