

EPROM/ROM-Based 8-Bit CMOS Microcontroller Series

Devices Included in this Data Sheet

- PIC16C54
- PIC16CR54★
- PIC16C55
- PIC16C56
- PIC16C57

High-Performance RISC CPU Features

- Only 33 single word instructions to learn
- All instructions are single cycle (200 ns) except for program branches which are two-cycle
- Operating speed: DC - 20 MHz clock input
DC - 200 ns instruction cycle

| Device | Pins | I/O | EPROM/ ROM | RAM |
|------------|------|-----|---------------|-----|
| PIC16C54 | 18 | 12 | 512 | 25 |
| PIC16CR54★ | 18 | 12 | 512 | 25 |
| PIC16C55 | 28 | 20 | 512 | 24 |
| PIC16C56 | 18 | 12 | 1K | 25 |
| PIC16C57 | 28 | 20 | 2K | 72 |

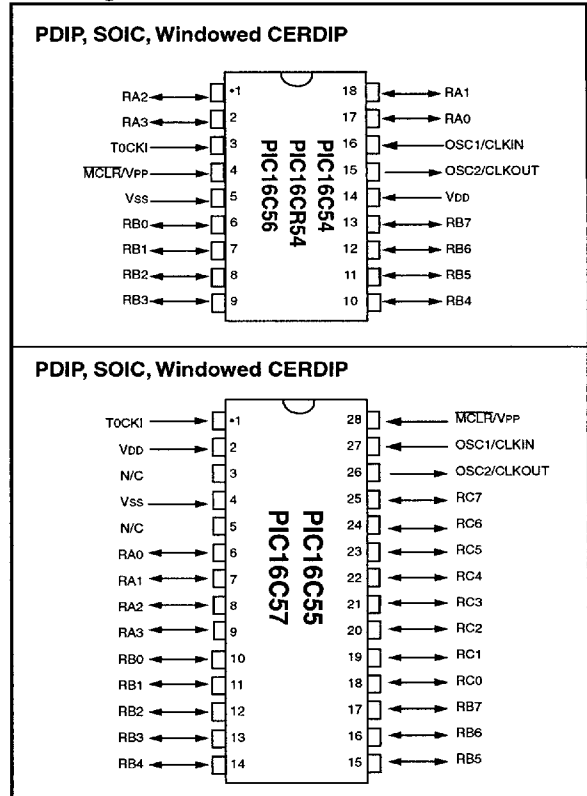
- 12-bit wide instructions
- 8-bit wide data path
- Seven or eight special function hardware registers
- Two-level deep hardware stack
- Direct, indirect and relative addressing modes for data and instructions

Peripheral Features

- 8-bit real time clock/counter (Timer0) with 8-bit programmable prescaler
- Power-On Reset (POR)
- Device Reset Timer (DRT)
- Watchdog Timer (WDT) with its own on-chip RC oscillator for reliable operation
- Programmable code-protection
- Power saving SLEEP mode
- Selectable oscillator options:
 - RC: Low-cost RC oscillator
 - XT: Standard crystal/resonator
 - HS: High-speed crystal/resonator
 - LP: Power saving, low frequency crystal

★ The PIC16CR54 is not recommended for new designs. The PIC16CR54A is recommended, as found in the Enhanced PIC16C5X data sheet.

Pin Diagrams



CMOS Technology

- Low-power, high-speed CMOS EPROM/ROM technology
- Fully static design
- Wide-operating voltage range:
 - EPROM Commercial/Industrial 2.5V to 6.25V
 - ROM Commercial/Industrial 2.0V to 6.25V
 - EPROM/ROM Automotive 2.5V to 6.0V
- Low-power consumption
 - < 2 mA typical @ 5.0V, 4 MHz
 - 15 µA typical @ 3.0V, 32 kHz
 - < 3 µA typical standby current (with WDT disabled) @ 3.0V, 0°C to 70°C

PIC16C5X

Pin Diagrams (con't)

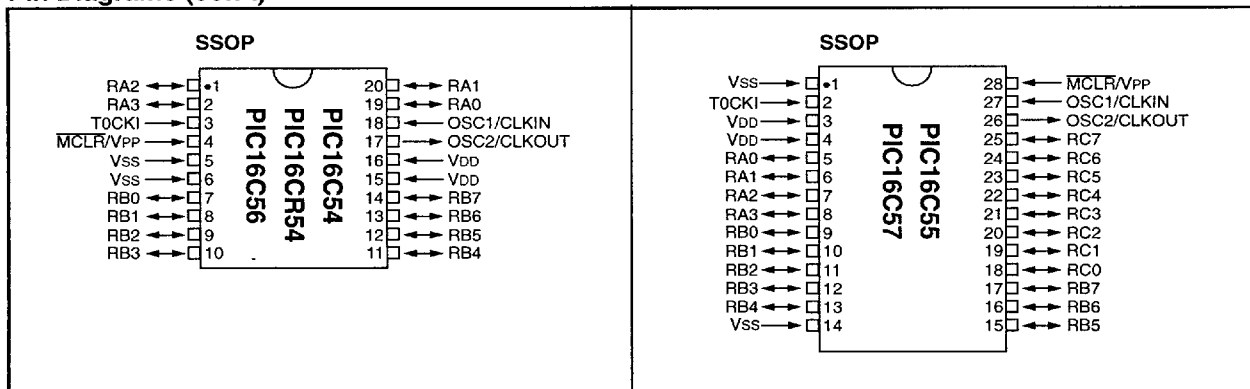


Table of Contents

| | | |
|------|---|-----|
| 1.0 | General Description | 3 |
| 2.0 | PIC16C5X Device Varieties | 5 |
| 3.0 | Architectural Overview | 7 |
| 4.0 | Memory Organization | 13 |
| 5.0 | I/O Ports | 21 |
| 6.0 | Timer0 Module and TMR0 Register | 23 |
| 7.0 | Special Features of the CPU | 27 |
| 8.0 | Instruction Set Summary | 39 |
| 9.0 | Development Support | 51 |
| 10.0 | Electrical Characteristics - PIC16C54/55/56/57 | 57 |
| 11.0 | DC and AC Characteristics - PIC16C54/55/56/57 | 71 |
| 12.0 | Electrical Characteristics - PIC16CR54 | 79 |
| 13.0 | DC and AC Characteristics - PIC16CR54 | 91 |
| 14.0 | Packaging Information | 101 |
| | Appendix A: Compatibility | 115 |
| | Appendix B: What's New | 115 |
| | Appendix C: What's Changed | 116 |
| | Appendix D: PIC16/17 Microcontrollers | 117 |
| | Index | 125 |
| | List of Examples | 126 |
| | List of Figures | 126 |
| | List of Tables | 127 |
| | Connecting to Microchip BBS | 129 |
| | Access to the Internet | 129 |
| | Reader Response | 130 |
| | PIC16C54/55/56/57 Product Identification System | 131 |
| | PIC16CR54 Product Identification System | 131 |

To Our Valued Customers

We constantly strive to improve the quality of all our products and documentation. We have spent an exceptional amount of time to ensure that these documents are correct. However, we realize that we may have missed a few things. If you find any information that is missing or appears in error, please use the reader response form in the back of this data sheet to inform us. We appreciate your assistance in making this a better document.

To assist you in the use of this document, Appendix B contains a list of new information in this data sheet, while Appendix C contains information that has changed.

1.0 GENERAL DESCRIPTION

The PIC16C5X from Microchip Technology is a family of low-cost, high performance, 8-bit, fully static, EPROM/ROM-based CMOS microcontrollers. This family is pin and software compatible with the Enhanced PIC16C5X family of devices. It employs a RISC architecture with only 33 single word/single cycle instructions. All instructions are single cycle (200 ns) except for program branches which take two cycles. The PIC16C5X delivers performance an order of magnitude higher than its competitors in the same price category. The 12-bit wide instructions are highly symmetrical resulting in 2:1 code compression over other 8-bit microcontrollers in its class. The easy to use and easy to remember instruction set reduces development time significantly.

The PIC16C5X products are equipped with special features that reduce system cost and power requirements. The Power-On Reset (POR) and Device Reset Timer (DRT) eliminate the need for external reset circuitry. There are four oscillator configurations to choose from, including the power-saving LP (Low Power) oscillator and cost-saving RC oscillator. Power saving SLEEP mode, Watchdog Timer and code protection features improve system cost, power and reliability.

The UV erasable CERDIP packaged versions are ideal for code development, while the cost effective One Time Programmable (OTP) versions are suitable for production in any volume. The customer can take full advantage of Microchip's price leadership in OTP microcontrollers while benefiting from the OTP's flexibility.

The PIC16C5X products are supported by a full-featured macro assembler, a software simulator, an in-circuit emulator, a 'C' compiler, fuzzy logic support tools, a low-cost development programmer, and a full featured programmer. All the tools are supported on IBM PC-AT[®] and compatible machines.

1.1 Applications

The PIC16C5X series fits perfectly in applications ranging from high-speed automotive and appliance motor control to low-power remote transmitters/receivers, pointing devices and telecom processors. The EPROM technology makes customizing application programs (transmitter codes, motor speeds, receiver frequencies, etc.) extremely fast and convenient. The small footprint packages, for through-hole or surface mounting, make this microcontroller series perfect for applications with space limitations. Low-cost, low-power, high performance, ease of use and I/O flexibility make the PIC16C5X series very versatile even in areas where no microcontroller use has been considered before (e.g., timer functions, replacement of "glue" logic in larger systems, coprocessor applications).

PIC16C5X

TABLE 1-1: PIC16C5X FAMILY OF DEVICES

| | Pins | Memory | | | Clock Maximum Frequency of Operation (MHz) | Peripherals | Voltage Range (Volts) | Number of Instructions | Features |
|---------------------------|------|------------------------|-------------------------|-----------------|---|-------------|-----------------------|------------------------|-------------------------------|
| | | Program Memory (words) | RAM Data Memory (bytes) | Timer Module(s) | | | | | |
| | | EPROM | ROM | | | I/O Pins | | | Packages |
| PIC16C54 | 20 | 512 | — | 25 | TMR0 | 12 | 2.5-6.25 | 33 | 18-pin DIP, SOIC; 20-pin SSOP |
| PIC16C54A | 20 | 512 | — | 25 | TMR0 | 12 | 2.5-6.25 | 33 | 18-pin DIP, SOIC; 20-pin SSOP |
| PIC16CR54 ⁽²⁾ | 20 | — | 512 | 25 | TMR0 | 12 | 2.0-6.25 | 33 | 18-pin DIP, SOIC; 20-pin SSOP |
| PIC16CR54A | 20 | — | 512 | 25 | TMR0 | 12 | 2.0-6.25 | 33 | 18-pin DIP, SOIC; 20-pin SSOP |
| PIC16CR54B ⁽¹⁾ | 20 | — | 512 | 25 | TMR0 | 12 | 2.5-6.25 | 33 | 18-pin DIP, SOIC; 20-pin SSOP |
| PIC16C55 | 20 | 512 | — | 24 | TMR0 | 20 | 2.5-6.25 | 33 | 28-pin DIP, SOIC, SSOP |
| PIC16C56 | 20 | 1K | — | 25 | TMR0 | 12 | 2.5-6.25 | 33 | 18-pin DIP, SOIC; 20-pin SSOP |
| PIC16CR56 ⁽¹⁾ | 20 | — | 1K | 25 | TMR0 | 12 | 2.5-6.25 | 33 | 18-pin DIP, SOIC; 20-pin SSOP |
| PIC16C57 | 20 | 2K | — | 72 | TMR0 | 20 | 2.5-6.25 | 33 | 28-pin DIP, SOIC, SSOP |
| PIC16CR57A | 20 | — | 2K | 72 | TMR0 | 20 | 2.5-6.25 | 33 | 28-pin DIP, SOIC, SSOP |
| PIC16CR57B ⁽¹⁾ | 20 | — | 2K | 72 | TMR0 | 20 | 2.5-6.25 | 33 | 28-pin DIP, SOIC, SSOP |
| PIC16C58A | 20 | 2K | — | 73 | TMR0 | 12 | 2.5-6.25 | 33 | 18-pin DIP, SOIC; 20-pin SSOP |
| PIC16CR58A | 20 | — | 2K | 73 | TMR0 | 12 | 2.5-6.25 | 33 | 18-pin DIP, SOIC; 20-pin SSOP |
| PIC16CR58B ⁽¹⁾ | 20 | — | 2K | 73 | TMR0 | 12 | 2.5-6.25 | 33 | 18-pin DIP, SOIC; 20-pin SSOP |

Legend: Grayed boxes: Devices NOT covered in this data sheet

All PIC16/17 Family devices have Power-On Reset, selectable Watchdog Timer, selectable code protect and high I/O current capability.

Note 1: Please contact your local sales office for availability of these devices.

2: Not recommended for new designs.

2.0 PIC16C5X DEVICE VARIETIES

A variety of frequency ranges and packaging options are available. Depending on application and production requirements, the proper device option can be selected using the information in this section. When placing orders, please use the PIC16C5X Product Identification System at the back of this data sheet to specify the correct part number.

For the PIC16C5X family of devices, there are two device types, as indicated in the device number:

1. **C**, as in PIC16C54. These devices have EPROM program memory and operate over the standard voltage range.
2. **CR**, as in PIC16CR54. These devices have ROM program memory and operate over the standard voltage range.

2.1 UV Erasable Devices

The UV erasable versions, offered in CERDIP packages, are optimal for prototype development and pilot programs.

UV erasable devices can be programmed for any of the four oscillator configurations. Microchip's PICSTART™ and PRO MATE™ programmers both support programming of the PIC16C5X. Third party programmers also are available; refer to the Third Party Guide for a list of sources.

2.2 One-Time-Programmable (OTP) Devices

The availability of OTP devices is especially useful for customers expecting frequent code changes and updates.

The OTP devices, packaged in plastic packages, permit the user to program them once. In addition to the program memory, the configuration bits must be programmed.

2.3 Quick-Turnaround-Production (QTP) Devices

Microchip offers a QTP Programming Service for factory production orders. This service is made available for users who choose not to program a medium to high quantity of units and whose code patterns have stabilized. The devices are identical to the OTP devices but with all EPROM locations and configuration bit options already programmed by the factory. Certain code and prototype verification procedures apply before production shipments are available. Please contact your Microchip Technology sales office for more details.

2.4 Serialized Quick-Turnaround-Production (SQTP) Devices

Microchip offers the unique programming service where a few user-defined locations in each device are programmed with different serial numbers. The serial numbers may be random, pseudo-random or sequential.

Serial programming allows each device to have a unique number which can serve as an entry code, password or ID number.

2.5 Read Only Memory (ROM) Devices

Microchip offers masked ROM versions of several of the highest volume parts, giving the customer a low cost option for high volume, mature products.

PIC16C5X

NOTES:

PAGE(S) INTENTIONALLY BLANK

3.0 ARCHITECTURAL OVERVIEW

The high performance of the PIC16C5X family can be attributed to a number of architectural features commonly found in RISC microprocessors. To begin with, the PIC16C5X uses a Harvard architecture in which program and data are accessed on separate buses. This improves bandwidth over traditional von Neumann architecture where program and data are fetched on the same bus. Separating program and data memory further allows instructions to be sized differently than the 8-bit wide data word. Instruction opcodes are 12-bits wide making it possible to have all single word instructions. A 12-bit wide program memory access bus fetches a 12-bit instruction in a single cycle. A two-stage pipeline overlaps fetch and execution of instructions. Consequently, all instructions (33) execute in a single cycle (200 ns @ 20 MHz) except for program branches.

The PIC16C54/CR54/C55 address 512 x 12 program memory, the PIC16C56 addresses 1K x 12, and the PIC16C57 addresses 2K x 12 of program memory. All program memory is internal.

The PIC16C5X can directly or indirectly address its register files and data memory. All special function registers including the program counter are mapped in the data memory. The PIC16C5X has a highly orthogonal (symmetrical) instruction set that makes it possible to carry out any operation on any register using any addressing mode. This symmetrical nature and lack of 'special optimal situations' make programming with the PIC16C5X simple yet efficient. In addition, the learning curve is reduced significantly.

The PIC16C5X device contains an 8-bit ALU and working register. The ALU is a general purpose arithmetic unit. It performs arithmetic and Boolean functions between data in the working register and any register file.

The ALU is 8-bits wide and capable of addition, subtraction, shift and logical operations. Unless otherwise mentioned, arithmetic operations are two's complement in nature. In two-operand instructions, typically one operand is the W (working) register. The other operand is a file register or an immediate constant. In single operand instructions, the operand is either the W register or a file register.

The W register is an 8-bit working register used for ALU operations. It is not an addressable register.

Depending on the instruction executed, the ALU may affect the values of the Carry (C), Digit Carry (DC), and Zero (Z) bits in the STATUS register. The C and DC bits operate as a borrow and digit borrow out bit, respectively, in subtraction. See the SUBWF and ADDWF instructions for examples.

A simplified block diagram is shown in Figure 3-1, with the corresponding device pins described in Table 3-1 and Table 3-2.

PIC16C5X

FIGURE 3-1: PIC16C5X SERIES BLOCK DIAGRAM

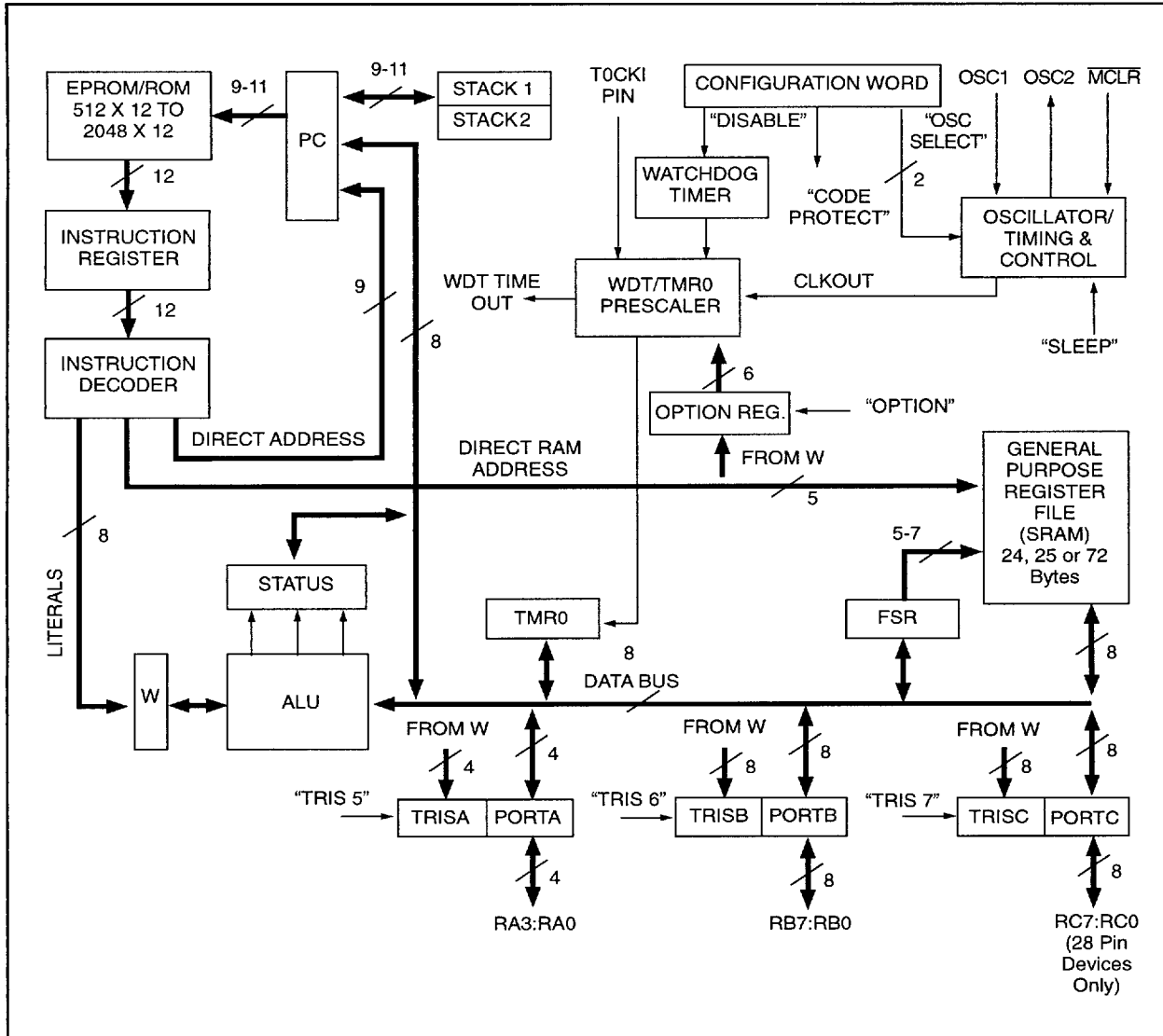


TABLE 3-1: PIC16C54/CR54/C56 PINOUT DESCRIPTION

| Name | DIP, SOIC No. | SSOP No. | I/O/P Type | Input Levels | Description |
|--|--|---|--|--|--|
| RA0 RA1 RA2 RA3 | 17 18 1 2 | 19 20 1 2 | I/O I/O I/O I/O | TTL TTL TTL TTL | Bi-directional I/O port |
| RB0 RB1 RB2 RB3 RB4 RB5 RB6 RB7 | 6 7 8 9 10 11 12 13 | 7 8 9 10 11 12 13 14 | I/O I/O I/O I/O I/O I/O I/O I/O | TTL TTL TTL TTL TTL TTL TTL TTL | Bi-directional I/O port |
| T0CKI | 3 | 3 | I | ST | Clock input to Timer0. Must be tied to Vss or VDD, if not in use, to reduce current consumption. |
| MCLR/VPP | 4 | 4 | I | ST | Master clear (reset) input/programming voltage input. This pin is an active low reset to the device. Voltage on MCLR/VPP must not exceed VDD to avoid unintended entering of programming mode. |
| OSC1/CLKIN | 16 | 18 | I | ST | Oscillator crystal input/external clock source input. |
| OSC2/CLKOUT | 15 | 17 | O | — | Oscillator crystal output. Connects to crystal or resonator in crystal oscillator mode. In RC mode, OSC2 pin outputs CLKOUT which has 1/4 the frequency of OSC1, and denotes the instruction cycle rate. |
| VDD | 14 | 15,16 | P | — | Positive supply for logic and I/O pins. |
| VSS | 5 | 5,6 | P | — | Ground reference for logic and I/O pins. |

Legend: I = input, O = output, I/O = input/output,
 P = power, — = Not Used,
 TTL = TTL input, ST = Schmitt Trigger input

PIC16C5X

TABLE 3-2: PIC16C55/C57 PINOUT DESCRIPTION

| Name | DIP, SOIC No. | SSOP No. | I/O/P Type | Input Levels | Description |
|--|--|--|---|---|---|
| RA0 RA1 RA2 RA3 | 6 7 8 9 | 5 6 7 8 | I/O I/O I/O I/O | TTL TTL TTL TTL | Bi-directional I/O port |
| RB0 RB1 RB2 RB3 RB4 RB5 RB6 RB7 | 10 11 12 13 14 15 16 17 | 9 10 11 12 13 15 16 17 | I/O I/O I/O I/O I/O I/O I/O | TTL TTL TTL TTL TTL TTL TTL | Bi-directional I/O port |
| RC0 RC1 RC2 RC3 RC4 RC5 RC6 RC7 | 18 19 20 21 22 23 24 25 | 18 19 20 21 22 23 24 25 | I/O I/O I/O I/O I/O I/O I/O | TTL TTL TTL TTL TTL TTL TTL | Bi-directional I/O port |
| T0CKI | 1 | 2 | I | ST | Clock input to Timer0. Must be tied to Vss or VDD, if not in use, to reduce current consumption. |
| $\overline{\text{MCLR}}/\text{VPP}$ | 28 | 28 | I | ST | Master clear (reset) input/programming voltage input. This pin is an active low reset to the device. Voltage on $\overline{\text{MCLR}}/\text{VPP}$ must not exceed VDD to avoid unintended entering of programming mode. |
| OSC1/CLKIN | 27 | 27 | I | ST | Oscillator crystal input/external clock source input. |
| OSC2/CLKOUT | 26 | 26 | O | — | Oscillator crystal output. Connects to crystal or resonator in crystal oscillator mode. In RC mode, OSC2 pin outputs CLKOUT which has 1/4 the frequency of OSC1, and denotes the instruction cycle rate. |
| VDD | 2 | 3,4 | P | — | Positive supply for logic and I/O pins. |
| VSS | 4 | 1,14 | P | — | Ground reference for logic and I/O pins. |
| N/C | 3,5 | — | — | — | Unused, do not connect |

Legend: I = input, O = output, I/O = input/output,
 P = power, — = Not Used, TTL = TTL input,
 ST = Schmitt Trigger input

3.1 Clocking Scheme/Instruction Cycle

The clock input (OSC1/CLKIN pin) is internally divided by four to generate four non-overlapping quadrature clocks namely Q1, Q2, Q3 and Q4. Internally, the program counter (PC) is incremented every Q1, and the instruction is fetched from program memory and latched into the instruction register in Q4. It is decoded and executed during the following Q1 through Q4. The clocks and instruction execution flow is shown in Figure 3-2 and Example 3-1.

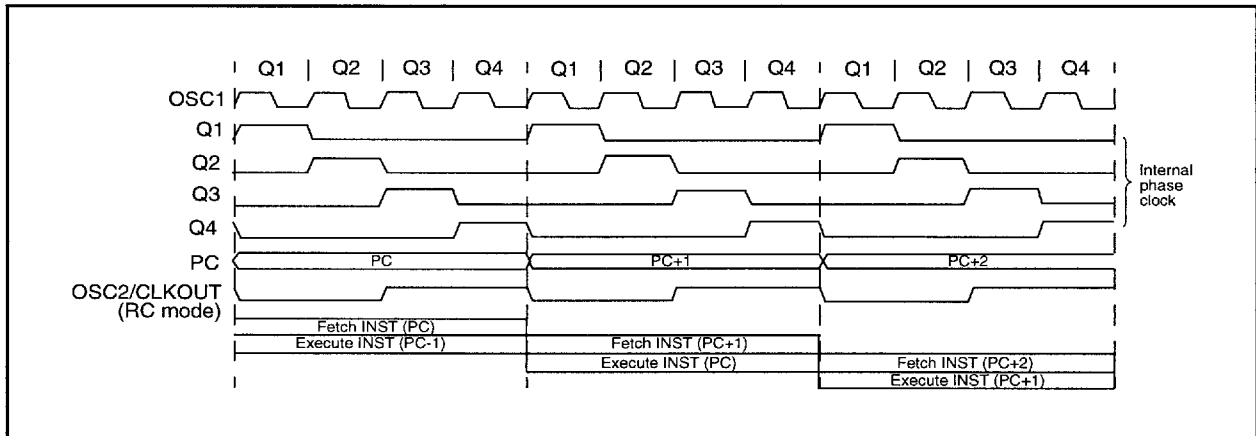
3.2 Instruction Flow/Pipelining

An Instruction Cycle consists of four Q cycles (Q1, Q2, Q3 and Q4). The instruction fetch and execute are pipelined such that fetch takes one instruction cycle while decode and execute takes another instruction cycle. However, due to the pipelining, each instruction effectively executes in one cycle. If an instruction causes the program counter to change (e.g., GOTO) then two cycles are required to complete the instruction (Example 3-1).

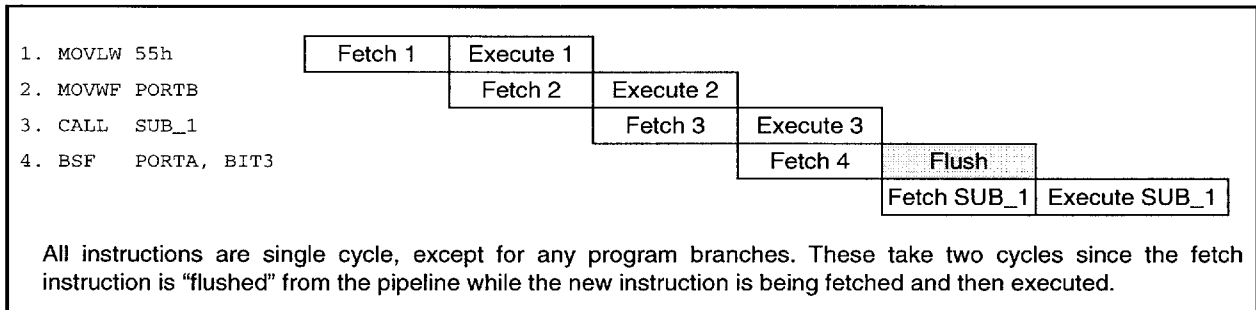
A fetch cycle begins with the program counter (PC) incrementing in Q1.

In the execution cycle, the fetched instruction is latched into the Instruction Register (IR) in cycle Q1. This instruction is then decoded and executed during the Q2, Q3, and Q4 cycles. Data memory is read during Q2 (operand read) and written during Q4 (destination write).

FIGURE 3-2: CLOCK/INSTRUCTION CYCLE



EXAMPLE 3-1: INSTRUCTION PIPELINE FLOW



PIC16C5X

NOTES:

PAGE(S) INTENTIONALLY BLANK

4.0 MEMORY ORGANIZATION

4.1 Program Memory Organization

The PIC16C54, PIC16CR54 and PIC16C55 have a 9-bit Program Counter (PC) capable of addressing a 512 x 12 program memory space (Figure 4-1). The PIC16C56 has a 10-bit program counter capable of addressing a 1K x 12 program memory space (Figure 4-2). The PIC16C57 has an 11-bit program counter capable of addressing a 2K x 12 program memory space (Figure 4-3). Accessing a location above the physically implemented address will cause a wraparound.

The reset vector for the PIC16C54/CR54/C55 is at 1FFh, at 3FFh for the PIC16C56, and at 7FFh for the PIC16C57.

FIGURE 4-1: PIC16C54/CR54/C55 PROGRAM MEMORY MAP AND STACK

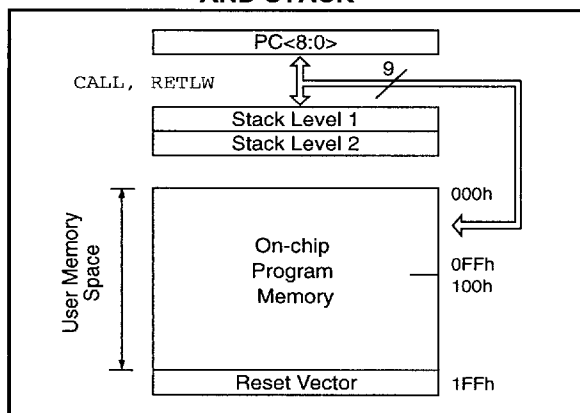


FIGURE 4-2: PIC16C56 PROGRAM MEMORY MAP AND STACK

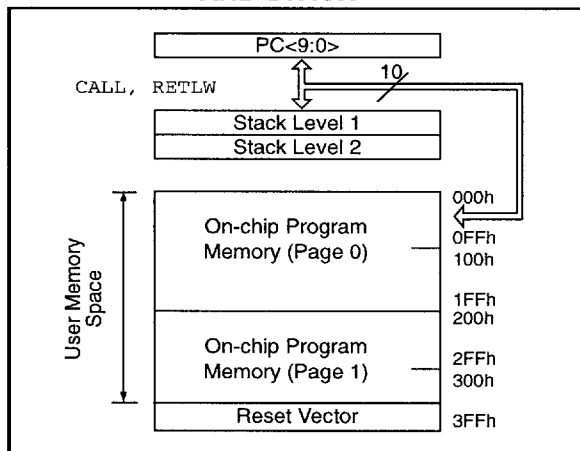
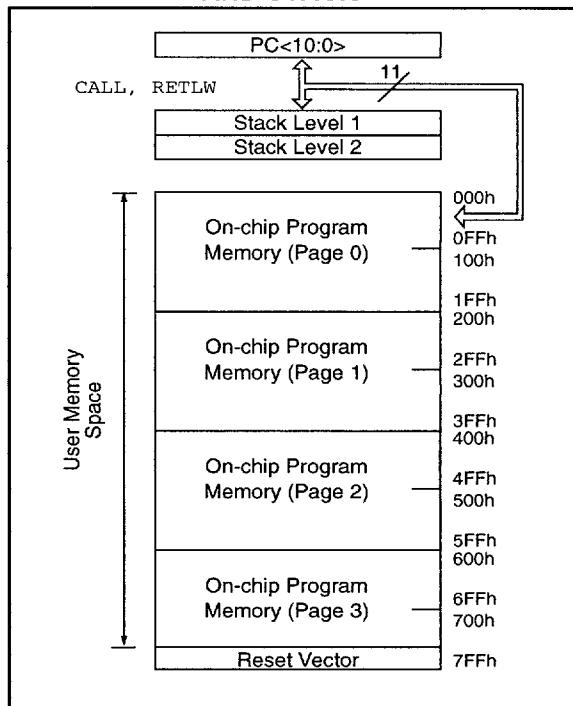


FIGURE 4-3: PIC16C57 PROGRAM MEMORY MAP AND STACK



4.2 Data Memory Organization

Data memory is composed of registers, or bytes of RAM. Therefore, data memory for a device is specified by its register file. The register file is divided into two functional groups: special function registers and general purpose registers.

The special function registers include the TMR0 register, the Program Counter (PC), the Status Register, the I/O registers (ports), and the File Select Register (FSR). In addition, special purpose registers are used to control the I/O port configuration and prescaler options.

The general purpose registers are used for data and control information under command of the instructions.

For the PIC16C54, PIC16CR54 and PIC16C56, the register file is composed of seven special function registers and 25 general purpose registers (Figure 4-4). For the PIC16C55, the register file is composed of eight special function registers and 24 general purpose registers (Figure 4-5). For the PIC16C57, up to 48 additional general purpose registers may be addressed using a banking scheme (Figure 4-6).

4.2.1 GENERAL PURPOSE REGISTER FILE

The register file is accessed either directly or indirectly through the file select register FSR (Section 4.7).

PIC16C5X

FIGURE 4-4: PIC16C54/CR54/C56 REGISTER FILE MAP

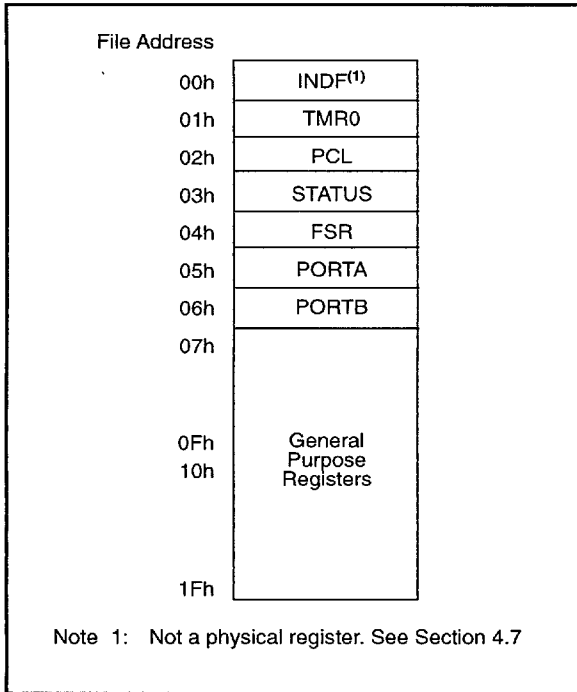


FIGURE 4-5: PIC16C55 REGISTER FILE MAP

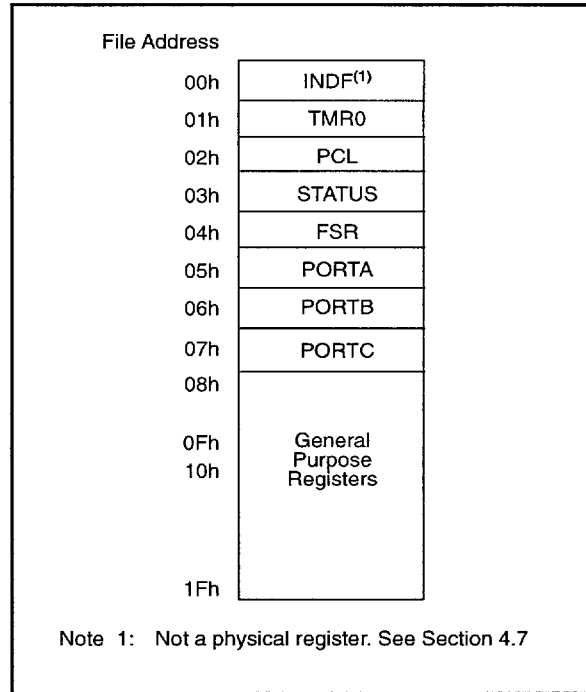
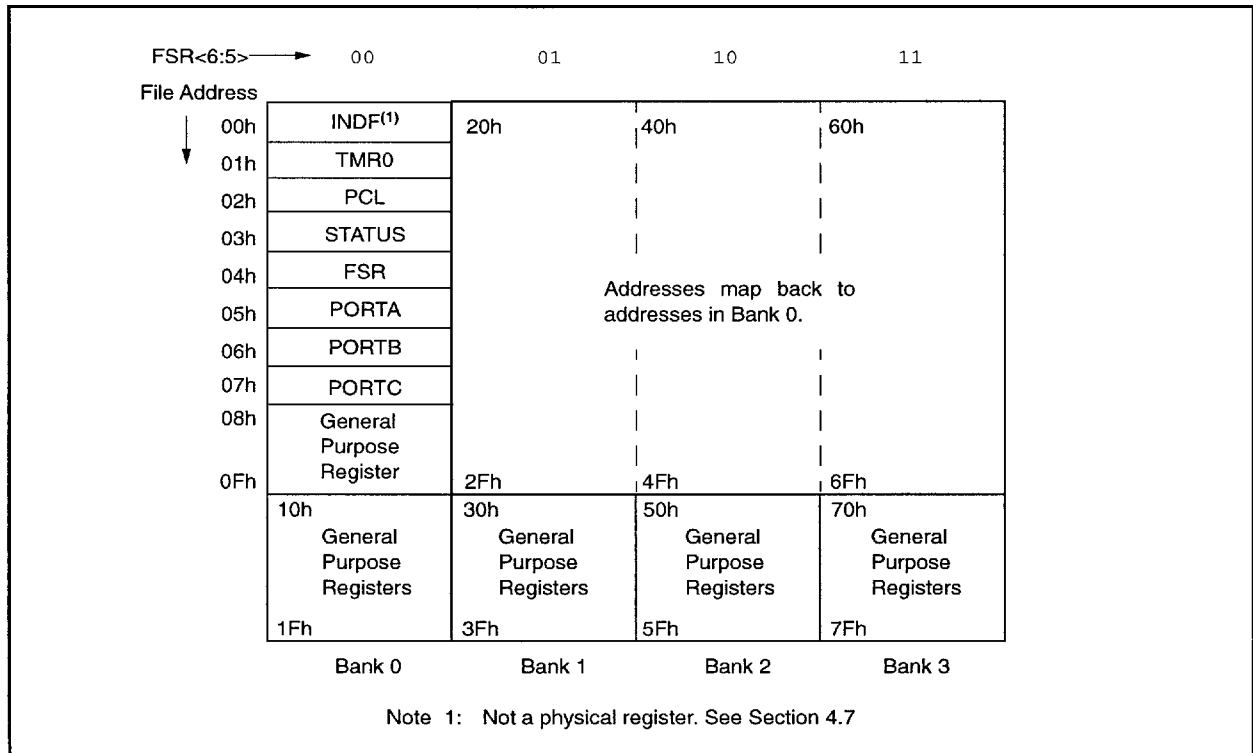


FIGURE 4-6: PIC16C57 REGISTER FILE MAP



4.2.2 SPECIAL FUNCTION REGISTERS

The Special Function Registers are registers used by the CPU and peripheral functions to control the operation of the device (Table 4-1).

The special registers can be classified into two sets. The special function registers associated with the "core" functions are described in this section. Those related to the operation of the peripheral features are described in the section for each peripheral feature.

TABLE 4-1: SPECIAL FUNCTION REGISTER SUMMARY

| Address | Name | Bit 7 | Bit 6 | Bit 5 | Bit 4 | Bit 3 | Bit 2 | Bit 1 | Bit 0 | Value on Power-On Reset | Value on MCLR and WDT Reset |
|--------------------|--------|---|-------|-------|-------------|-------------|-------|-------|-------|-------------------------|-----------------------------|
| N/A | TRIS | I/O control registers (TRISA, TRISB, TRISC) | | | | | | | | 1111 1111 | 1111 1111 |
| N/A | OPTION | Contains control bits to configure Timer0 and Timer0/WDT prescaler | | | | | | | | --11 1111 | --11 1111 |
| 00h | INDF | Uses contents of FSR to address data memory (not a physical register) | | | | | | | | xxxx xxxx | uuuu uuuu |
| 01h | TMR0 | 8-bit real-time clock/counter | | | | | | | | xxxx xxxx | uuuu uuuu |
| 02h ⁽¹⁾ | PCL | Low order 8 bits of PC | | | | | | | | 1111 1111 | 1111 1111 |
| 03h | STATUS | PA2 | PA1 | PA0 | T \bar{O} | P \bar{D} | Z | DC | C | 0001 1xxxx | 000q quuu |
| 04h | FSR | Indirect data memory address pointer | | | | | | | | 1xxx xxxx | 1uuu uuuu |
| 05h | PORTA | — | — | — | — | RA3 | RA2 | RA1 | RA0 | ---- xxxx | ---- uuuu |
| 06h | PORTB | RB7 | RB6 | RB5 | RB4 | RB3 | RB2 | RB1 | RB0 | xxxx xxxx | uuuu uuuu |
| 07h ⁽²⁾ | PORTC | RC7 | RC6 | RC5 | RC4 | RC3 | RC2 | RC1 | RC0 | xxxx xxxx | uuuu uuuu |

Legend: Shaded boxes = unimplemented or unused, -- = unimplemented, read as '0' (if applicable)
 x = unknown, u = unchanged, q = see the tables in Section 7.7 for possible values.

Note 1: The upper byte of the Program Counter is not directly accessible. See Section 4.5 for an explanation of how to access these bits.

Note 2: File address 07h is a general purpose register on the PIC16C54/CR54/C56.

PIC16C5X

4.3 STATUS Register

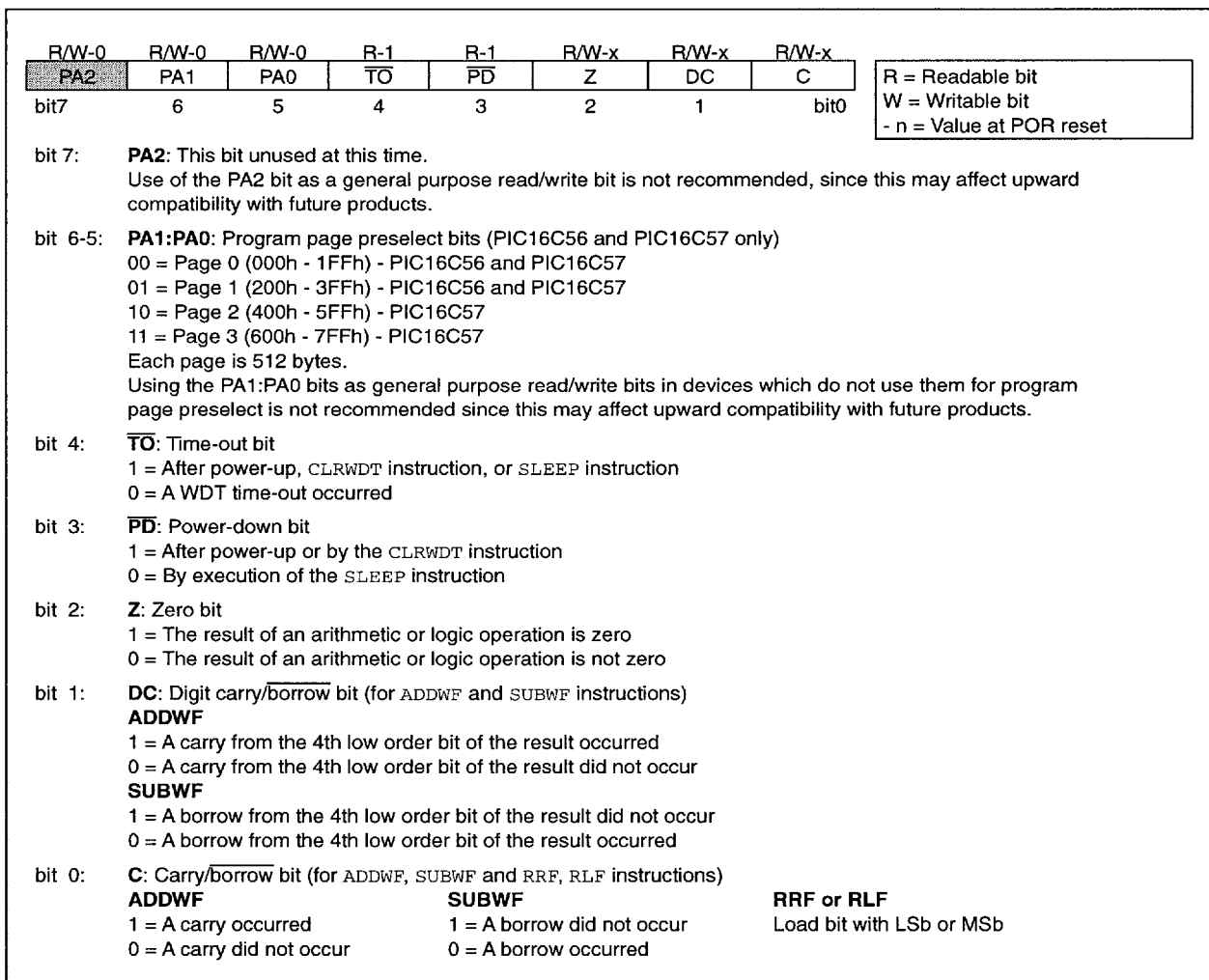
This register contains the arithmetic status of the ALU, the RESET status, and the page preselect bits for program memories larger than 512 words.

The STATUS register can be the destination for any instruction, as with any other register. If the STATUS register is the destination for an instruction that affects the Z, DC or C bits, then the write to these three bits is disabled. These bits are set or cleared according to the device logic. Furthermore, the \overline{TO} and \overline{PD} bits are not writable. Therefore, the result of an instruction with the STATUS register as destination may be different than intended.

For example, `CLRF STATUS` will clear the upper three bits and set the Z bit. This leaves the STATUS register as `000u u1uu` (where u = unchanged).

It is recommended, therefore, that only `BCF`, `BSF` and `MOVWF` instructions be used to alter the STATUS register because these instructions do not affect the Z, DC or C bits from the STATUS register. For other instructions which do affect STATUS bits, see Table 8-2, Instruction Set Summary.

FIGURE 4-7: STATUS REGISTER (ADDRESS:03h)

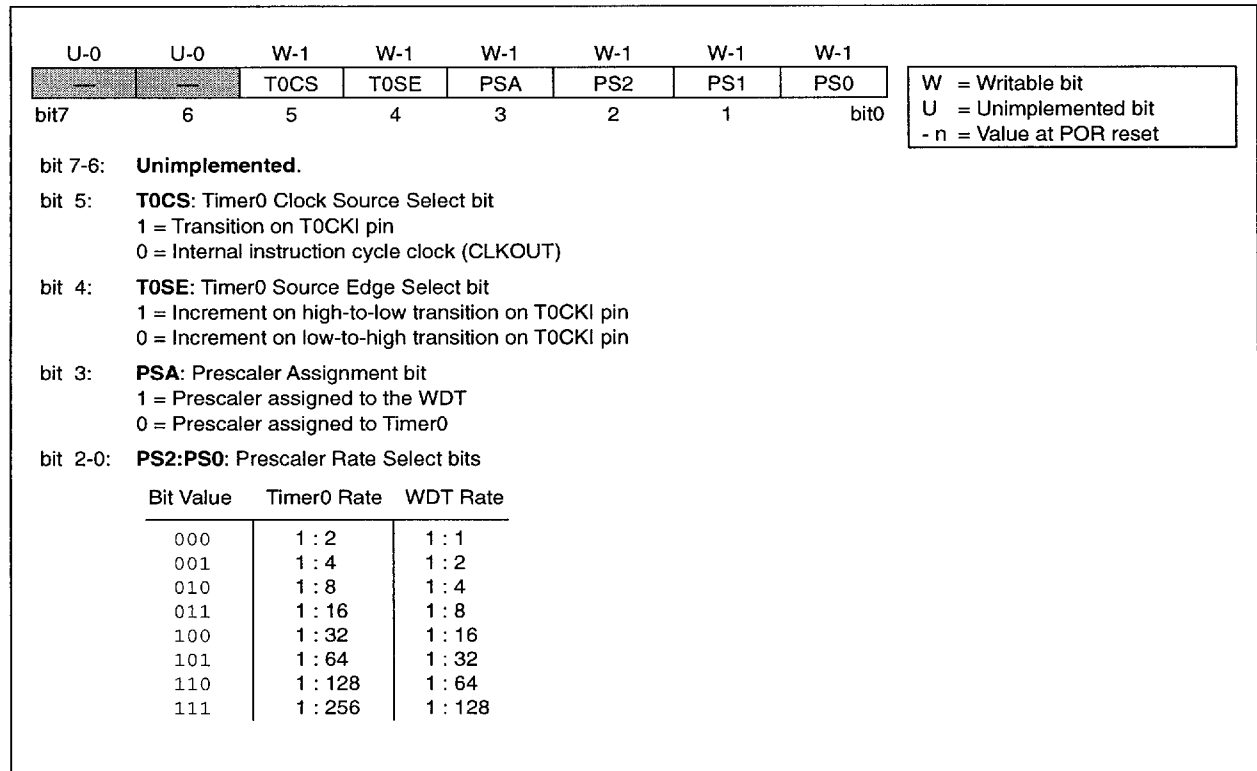


4.4 OPTION Register

The OPTION register is a 6-bit wide, write-only register which contains various control bits to configure the Timer0/WDT prescaler and Timer0.

By executing the OPTION instruction, the contents of the W register will be transferred to the OPTION register. A RESET sets the OPTION<5:0> bits.

FIGURE 4-8: OPTION REGISTER



PIC16C5X

4.5 Program Counter

As a program instruction is executed, the Program Counter (PC) will contain the address of the next program instruction to be executed. The PC value is increased by one every instruction cycle, unless an instruction changes the PC.

For a GOTO instruction, bits 8:0 of the PC are provided by the GOTO instruction word. The PC Latch (PCL) is mapped to PC<7:0> (Figure 4-9, Figure 4-10 and Figure 4-11).

For the PIC16C56 and PIC16C57, a page number must be supplied as well. Bit5 of the STATUS register provides this to bit9 of the PC for the PIC16C56 (Figure 4-10). Bit5 and bit6 of the STATUS register provide page information to bit9 and bit10 of the PC for the PIC16C57 (Figure 4-11).

For a CALL instruction, or any instruction where the PCL is the destination, bits 7:0 of the PC are provided by the instruction word. However, PC<8> does not come from the instruction word, but is always cleared (Figure 4-9, Figure 4-10 and Figure 4-11).

Instructions where the PCL is the destination, or Modify PCL instructions, include MOVWF PC, ADDWF PC, and BSF PC, 5.

For the PIC16C56 and PIC16C57, a page number again must be supplied. Bit5 of the STATUS register provides this to bit9 of the PC for the PIC16C56 (Figure 4-10). Bit5 and bit6 of the STATUS register provide page information to bit9 and bit10 of the PC for the PIC16C57 (Figure 4-11).

Note: Because PC<8> is cleared in the CALL instruction, or any Modify PCL instruction, all subroutine calls or computed jumps are limited to the first 256 locations of any program memory page (512 words long).

FIGURE 4-9: LOADING OF PC BRANCH INSTRUCTIONS - PIC16C54/CR54/C55

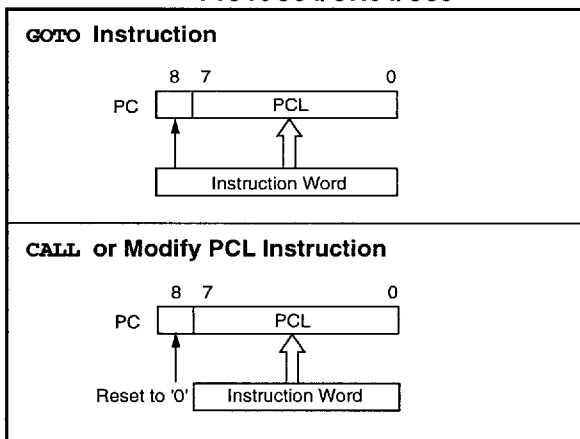


FIGURE 4-10: LOADING OF PC BRANCH INSTRUCTIONS - PIC16C56

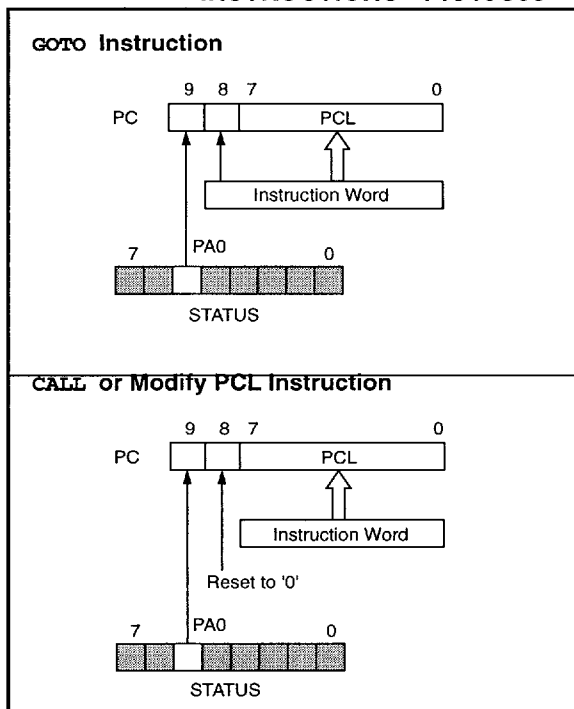
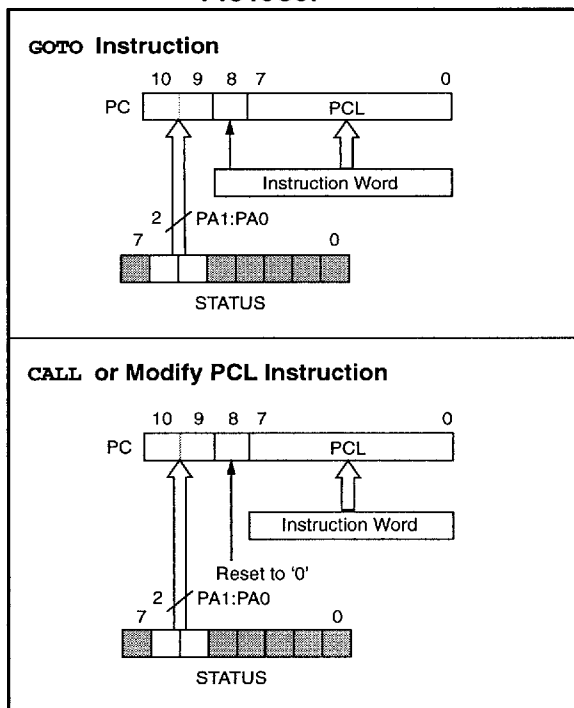


FIGURE 4-11: LOADING OF PC BRANCH INSTRUCTIONS - PIC16C57



For the RETLW instruction, the PC is loaded with the Top Of Stack (TOS) contents. All of the devices covered in this data sheet have only two stacks. Each stack has the same bit width as the device PC.

4.5.1 PAGING CONSIDERATIONS – PIC16C56/57

If the Program Counter is pointing to the last address of a selected memory page, when it increments it will cause the program to continue in the next higher page. However, the page preselect bits in the STATUS register will not be updated. Therefore, the next GOTO, CALL, or Modify PCL instruction will return the program to the page specified by the page preselect bits (PA0 or PA1:PA0).

For example, a NOP at location 1FFh (page 0) increments the PC to 200h (page 1). A GOTO xxx at 200h will return the program to address xxxh on page 0 (assuming that PA1:PA0 are clear).

To prevent this, the page preselect bits must be updated under program control.

4.5.2 EFFECTS OF RESET

The Program Counter is set upon a RESET, which means that the PC addresses the last location in the last page (i.e., the reset vector).

The STATUS register page preselect bits are cleared upon a RESET, which means that page 0 is pre-selected.

Therefore, upon a RESET, a GOTO instruction at the reset vector location will automatically cause the program to jump to page 0.

If an inadequate RESET occurs (i.e., POR conditions are not met, a brown-out occurs, etc.), page preselect bits in the STATUS register will not be cleared. Therefore, it is good programming practice to include the following code before the GOTO instruction at the reset vector location:

```
BSF STATUS
BSF FSR
```

4.6 Stack

PIC16C5X devices have a 9-bit, 10-bit or 11-bit wide, two-level hardware push/pop stack (Figure 4-1, Figure 4-2 and Figure 4-3 respectively).

A CALL instruction will *push* the current value of stack 1 into stack 2 and then push the current program counter value, incremented by one, into stack level 1. If more than two sequential CALL's are executed, only the most recent two return addresses are stored.

A RETLW instruction will *pop* the contents of stack level 1 into the program counter and then copy stack level 2 contents into level 1. If more than two sequential RETLW's are executed, the stack will be filled with the address previously stored in level 2.

Note: The W register will be loaded with the literal value specified in the instruction. This is particularly useful for the implementation of data look-up tables within the program memory.

PIC16C5X

4.7 Indirect Data Addressing: INDF and FSR Registers

The INDF register is not a physical register. Addressing INDF actually addresses the register whose address is contained in the FSR register (FSR is a *pointer*). This is indirect addressing.

EXAMPLE 4-1: INDIRECT ADDRESSING

- Register file 05 contains the value 10h
- Register file 06 contains the value 0Ah
- Load the value 05 into the FSR register
- A read of the INDF register will return the value of 10h
- Increment the value of the FSR register by one (FSR = 06)
- A read of the INDR register now will return the value of 0Ah.

Reading INDF itself indirectly (FSR = 0) will produce 00h. Writing to the INDF register indirectly results in a no-operation (although STATUS bits may be affected).

A simple program to clear RAM locations 10h-1Fh using indirect addressing is shown in Example 4-2.

EXAMPLE 4-2: HOW TO CLEAR RAM USING INDIRECT ADDRESSING

```

movlw 0x10 ;initialize pointer
movwf FSR ; to RAM
NEXT   clrf  INDF ;clear INDF register
       incf  FSR,F ;inc pointer
       btfsc FSR,4 ;all done?
       goto  NEXT ;NO, clear next

CONTINUE
       : ;YES, continue
    
```

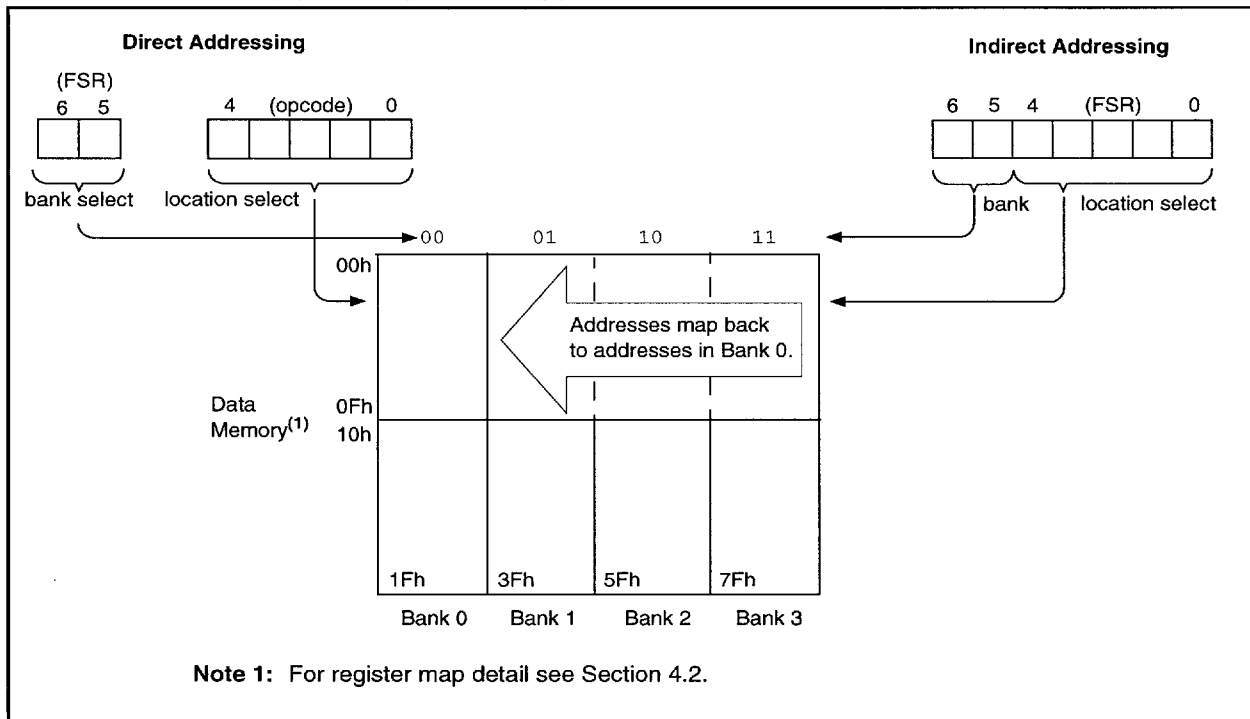
The FSR is either a 5-bit (PIC16C54/CR54/C55/C56) or 7-bit (PIC16C57) wide register. It is used in conjunction with the INDF register to indirectly address the data memory area. The last two bits, FSR<6:5>, are also used on the PIC16C57 for direct addressing (Figure 4-12).

The FSR<4:0> bits are used to select data memory addresses 00h to 1Fh.

PIC16C54/CR54/C55/C56: Do not use banking. FSR<6:5> are unimplemented and read as '1's.

PIC16C57: FSR<6:5> are the bank select bits and are used to select the bank to be addressed (00 = bank 0, 01 = bank 1, 10 = bank 2, 11 = bank 3).

FIGURE 4-12: DIRECT/INDIRECT ADDRESSING



5.0 I/O PORTS

As with any other register, the I/O registers can be written and read under program control. However, read instructions (e.g., `MOVF PORTB, w`) always read the I/O pins independent of the pin's input/output modes. On RESET, all I/O ports are defined as input (inputs are at hi-impedance) since the I/O control registers (TRISA, TRISB, TRISC) are all set.

5.1 PORTA

PORTA is a 4-bit I/O register. Only the low order 4 bits are used (RA3:RA0). Bits 7-4 are unimplemented and read as '0's.

5.2 PORTB

PORTB is an 8-bit I/O register (PORTB<7:0>).

5.3 PORTC

PIC16C55/C57: 8-bit I/O register.

PIC16C54/CR54/C56:
General purpose register.

5.4 TRIS Registers

The output driver control registers are loaded with the contents of the W register by executing the `TRIS f` instruction. A '1' from a TRIS register bit puts the corresponding output driver in a hi-impedance mode. A '0' puts the contents of the output data latch on the selected pins, enabling the output buffer.

Note: A read of the ports reads the pins, not the output data latches. That is, if an output driver on a pin is enabled and driven high, but the external system is holding it low, a read of the port will indicate that the pin is low.

The TRIS registers are "write-only" and are set (output drivers disabled) upon RESET.

5.5 I/O Interfacing

The equivalent circuit for an I/O port pin is shown in Figure 5-1. All ports may be used for both input and output operations. For input operations these ports are non-latching. Any input must be present until read by an input instruction (e.g., `MOVF PORTB, w`). The outputs are latched and remain unchanged until the output latch is rewritten. To use a port pin as output, the corresponding direction control bit (in TRISA, TRISB, TRISC) must be cleared (= 0). For use as an input, the corresponding TRIS bit must be set. Any I/O pin can be programmed individually as input or output.

FIGURE 5-1: EQUIVALENT CIRCUIT FOR A SINGLE I/O PIN

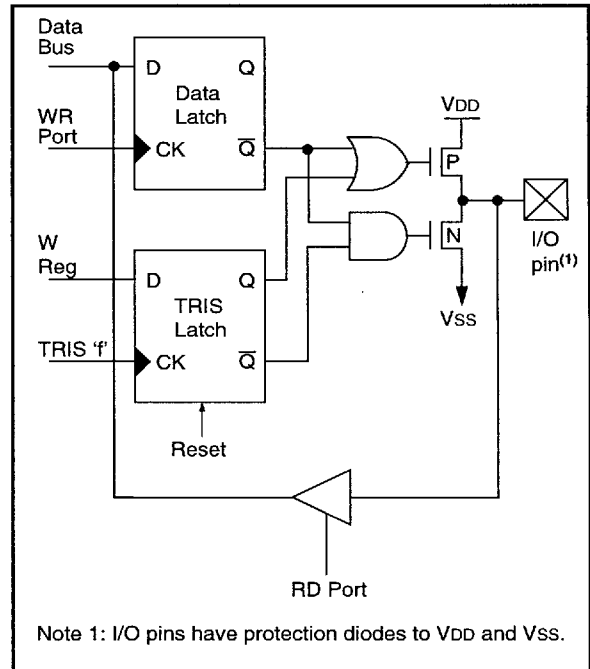


TABLE 5-1: SUMMARY OF PORT REGISTERS

| Address | Name | Bit 7 | Bit 6 | Bit 5 | Bit 4 | Bit 3 | Bit 2 | Bit 1 | Bit 0 | Value on Power-On Reset | Value on MCLR and WDT Reset |
|--------------------|-------|---|-------|-------|-------|-------|-------|-------|-------|-------------------------|-----------------------------|
| N/A | TRIS | I/O control registers (TRISA, TRISB, TRISC) | | | | | | | | 1111 1111 | 1111 1111 |
| 05h | PORTA | - | - | - | - | RA3 | RA2 | RA1 | RA0 | ---- xxxx | ---- uuuu |
| 06h | PORTB | RB7 | RB6 | RB5 | RB4 | RB3 | RB2 | RB1 | RB0 | xxxx xxxx | uuuu uuuu |
| 07h ⁽¹⁾ | PORTC | RC7 | RC6 | RC5 | RC4 | RC3 | RC2 | RC1 | RC0 | xxxx xxxx | uuuu uuuu |

Legend: Shaded boxes = unimplemented, read as '0',

- = unimplemented, read as '0', x = unknown, u = unchanged

Note 1: File address 07h is a general purpose register on the PIC16C54/CR54/C56.

PIC16C5X

5.6 I/O Programming Considerations

5.6.1 BI-DIRECTIONAL I/O PORTS

Some instructions operate internally as read followed by write operations. The BCF and BSF instructions, for example, read the entire port into the CPU, execute the bit operation and re-write the result. Caution must be used when these instructions are applied to a port where one or more pins are used as input/outputs. For example, a BSF operation on bit5 of PORTB will cause all eight bits of PORTB to be read into the CPU, bit5 to be set and the PORTB value to be written to the output latches. If another bit of PORTB is used as a bi-directional I/O pin (say bit0) and it is defined as an input at this time, the input signal present on the pin itself would be read into the CPU and rewritten to the data latch of this particular pin, overwriting the previous content. As long as the pin stays in the input mode, no problem occurs. However, if bit0 is switched into output mode later on, the content of the data latch may now be unknown.

Example 5-1 shows the effect of two sequential read-modify-write instructions (e.g., BCF, BSF, etc.) on an I/O port.

A pin actively outputting a high or a low should not be driven from external devices at the same time in order to change the level on this pin ("wired-or", "wired-and"). The resulting high output currents may damage the chip.

EXAMPLE 5-1: READ-MODIFY-WRITE INSTRUCTIONS ON AN I/O PORT

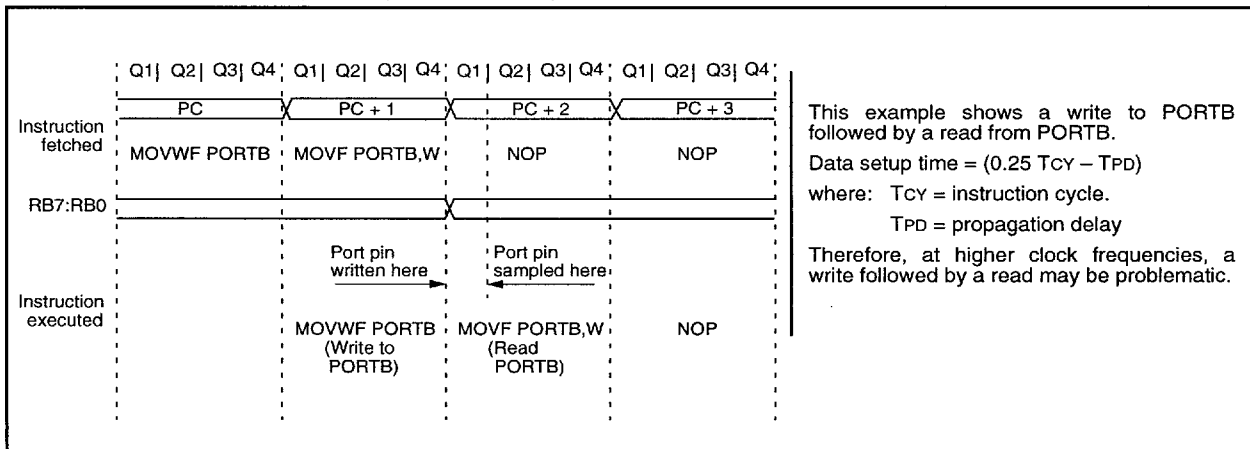
```

;Initial PORT Settings
; PORTB<7:4> Inputs
; PORTB<3:0> Outputs
;PORTB<7:6> have external pull-ups and are
;not connected to other circuitry
;
;                PORT latch  PORT pins
;                -----  -----
BCF  PORTB, 7    ;01pp pppp  11pp pppp
BCF  PORTB, 6    ;10pp pppp  11pp pppp
MOVLW 03Fh      ;
TRIS  PORTB      ;10pp pppp  10pp pppp
;
;Note that the user may have expected the pin
;values to be 00pp pppp. The 2nd BCF caused
;RB7 to be latched as the pin value (High).
    
```

5.6.2 SUCCESSIVE OPERATIONS ON I/O PORTS

The actual write to an I/O port happens at the end of an instruction cycle, whereas for reading, the data must be valid at the beginning of the instruction cycle (Figure 5-2). Therefore, care must be exercised if a write followed by a read operation is carried out on the same I/O port. The sequence of instructions should allow the pin voltage to stabilize (load dependent) before the next instruction, which causes that file to be read into the CPU, is executed. Otherwise, the previous state of that pin may be read into the CPU rather than the new state. When in doubt, it is better to separate these instructions with a NOP or another instruction not accessing this I/O port.

FIGURE 5-2: SUCCESSIVE I/O OPERATION



6.0 TIMER0 MODULE AND TMR0 REGISTER

The Timer0 module has the following features:

- 8-bit timer/counter register, TMR0
 - Readable and writable
- 8-bit software programmable prescaler
- Internal or external clock select
 - Edge select for external clock

Figure 6-1 is a simplified block diagram of the Timer0 module, while Figure 6-2 shows the electrical structure of the Timer0 input.

Timer mode is selected by clearing the T0CS bit (OPTION<5>). In timer mode, the Timer0 module will increment every instruction cycle (without prescaler). If TMR0 register is written, the increment is inhibited for the following two cycles (Figure 6-3 and Figure 6-4). The user can work around this by writing an adjusted value to the TMR0 register.

Counter mode is selected by setting the T0CS bit (OPTION<5>). In this mode, Timer0 will increment either on every rising or falling edge of pin T0CKI. The incrementing edge is determined by the source edge select bit T0SE (OPTION<4>). Clearing the T0SE bit selects the rising edge. Restrictions on the external clock input are discussed in detail in Section 6.1.

The prescaler may be used by either the Timer0 module or the Watchdog Timer, but not both. The prescaler assignment is controlled in software by the control bit PSA (OPTION<3>). Clearing the PSA bit will assign the prescaler to Timer0. The prescaler is not readable or writable. When the prescaler is assigned to the Timer0 module, prescale values of 1:2, 1:4, ..., 1:256 are selectable. Section 6.2 details the operation of the prescaler.

A summary of registers associated with the Timer0 module is found in Table 6-1.

FIGURE 6-1: TIMER0 BLOCK DIAGRAM

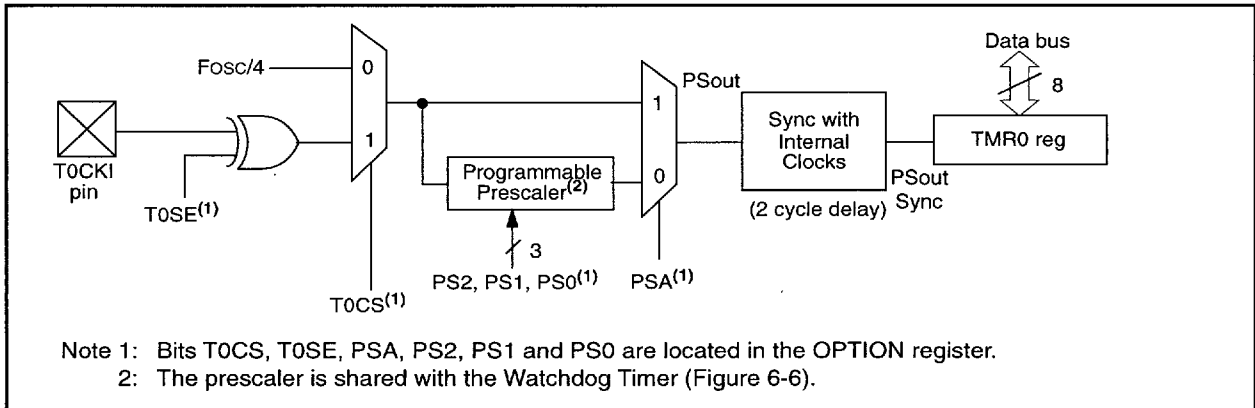
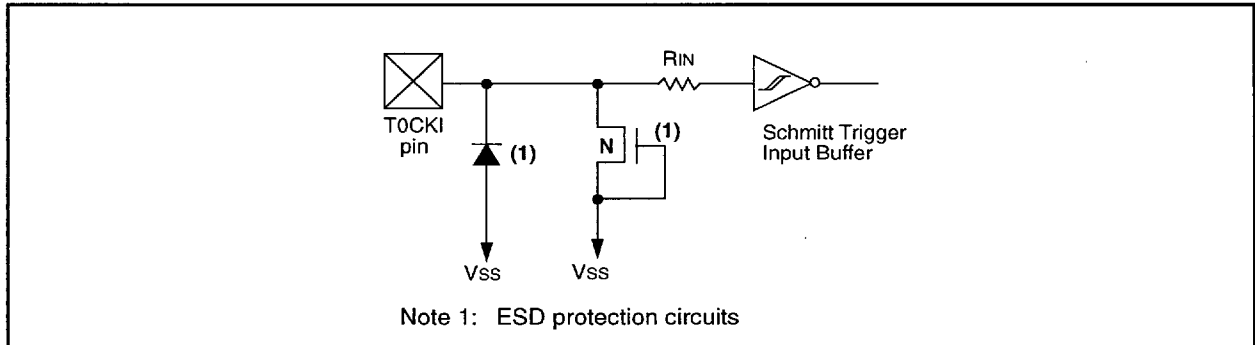
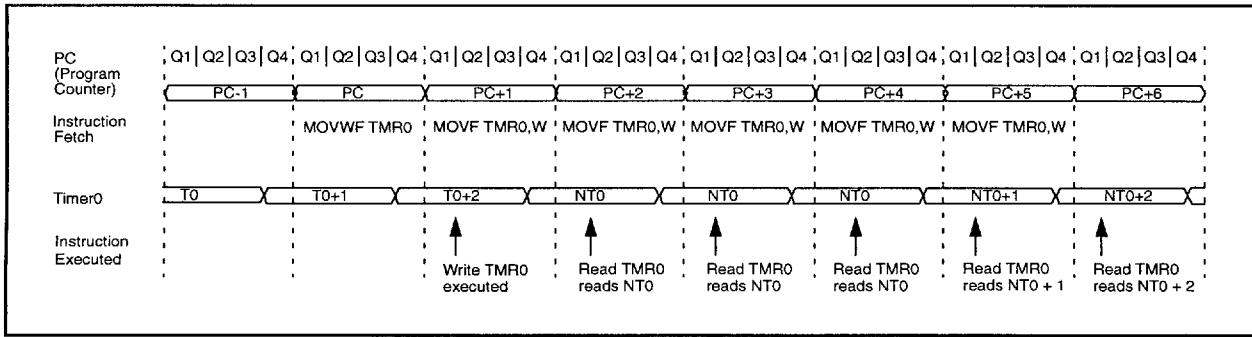


FIGURE 6-2: ELECTRICAL STRUCTURE OF T0CKI PIN



PIC16C5X

**FIGURE 6-3: TIMER0 TIMING:
INTERNAL CLOCK/NO PRESCALE**



**FIGURE 6-4: TIMER0 TIMING:
INTERNAL CLOCK/PRESCALE 1:2**

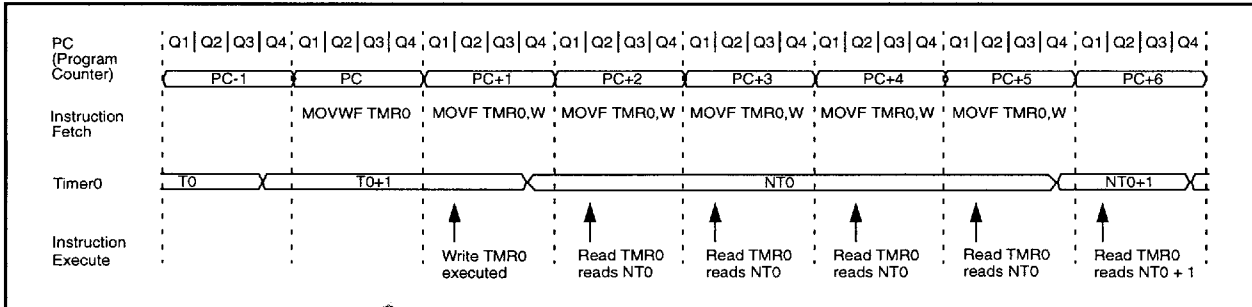


TABLE 6-1: REGISTERS ASSOCIATED WITH TIMER0

| Address | Name | Bit 7 | Bit 6 | Bit 5 | Bit 4 | Bit 3 | Bit 2 | Bit 1 | Bit 0 | Value on Power-On Reset | Value on MCLR and WDT Reset |
|---------|--------|--|-------|-------|-------|-------|-------|-------|-------|-------------------------|-----------------------------|
| 01 | TMR0 | Timer0 - 8-bit real-time clock/counter | | | | | | | | xxxx xxxx | uuuu uuuu |
| N/A | OPTION | - | - | T0CS | T0SE | PSA | PS2 | PS1 | PS0 | --11 1111 | --11 1111 |

Legend: Shaded cells: Unimplemented bits,
- = unimplemented, x = unknown, u = unchanged,

6.1 Using Timer0 with an External Clock

When an external clock input is used for Timer0, it must meet certain requirements. The external clock requirement is due to internal phase clock (T_{OSC}) synchronization. Also, there is a delay in the actual incrementing of Timer0 after synchronization.

6.1.1 EXTERNAL CLOCK SYNCHRONIZATION

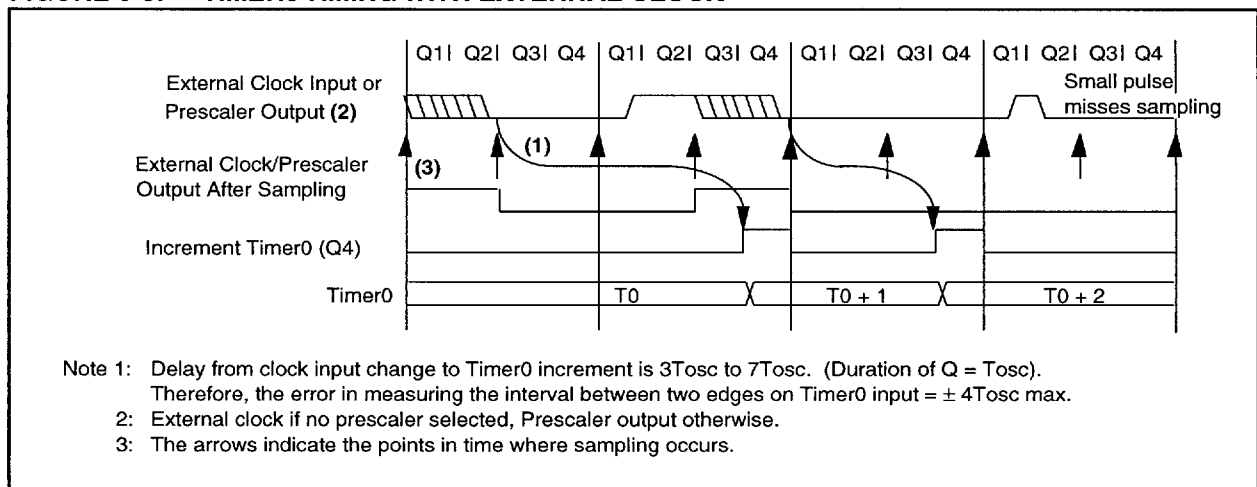
When no prescaler is used, the external clock input is the same as the prescaler output. The synchronization of T_{OCLKI} with the internal phase clocks is accomplished by sampling the prescaler output on the Q2 and Q4 cycles of the internal phase clocks (Figure 6-5). Therefore, it is necessary for T_{OCLKI} to be high for at least $2T_{OSC}$ (and a small RC delay of 20 ns) and low for at least $2T_{OSC}$ (and a small RC delay of 20 ns). Refer to the electrical specification of the desired device.

When a prescaler is used, the external clock input is divided by the asynchronous ripple counter-type prescaler so that the prescaler output is symmetrical. For the external clock to meet the sampling requirement, the ripple counter must be taken into account. Therefore, it is necessary for T_{OCLKI} to have a period of at least $4T_{OSC}$ (and a small RC delay of 40 ns) divided by the prescaler value. The only requirement on T_{OCLKI} high and low time is that they do not violate the minimum pulse width requirement of 10 ns. Refer to parameters 40, 41 and 42 in the electrical specification of the desired device.

6.1.2 TIMER0 INCREMENT DELAY

Since the prescaler output is synchronized with the internal clocks, there is a small delay from the time the external clock edge occurs to the time the Timer0 module is actually incremented. Figure 6-5 shows the delay from the external clock edge to the timer incrementing.

FIGURE 6-5: TIMER0 TIMING WITH EXTERNAL CLOCK



PIC16C5X

6.2 Prescaler

An 8-bit counter is available as a prescaler for the Timer0 module, or as a postscaler for the Watchdog Timer (WDT), respectively (Section 6.1.2). For simplicity, this counter is being referred to as “prescaler” throughout this data sheet. Note that the prescaler may be used by either the Timer0 module or the WDT, but not both. Thus, a prescaler assignment for the Timer0 module means that there is no prescaler for the WDT, and vice-versa.

The PSA and PS2:PS0 bits (OPTION<3:0>) determine prescaler assignment and prescale ratio.

When assigned to the Timer0 module, all instructions writing to the TMR0 register (e.g., CLRWF 1, MOVWF 1, BSF 1,x, etc.) will clear the prescaler. When assigned to WDT, a CLRWDT instruction will clear the prescaler along with the WDT. The prescaler is neither readable nor writable. On a RESET, the prescaler contains all '0's.

6.2.1 SWITCHING PRESCALER ASSIGNMENT

The prescaler assignment is fully under software control (i.e., it can be changed “on the fly” during program execution). To avoid an unintended device RESET, the

following instruction sequence (Example 6-1) must be executed when changing the prescaler assignment from Timer0 to the WDT.

EXAMPLE 6-1: CHANGING PRESCALER (TIMER0→WDT)

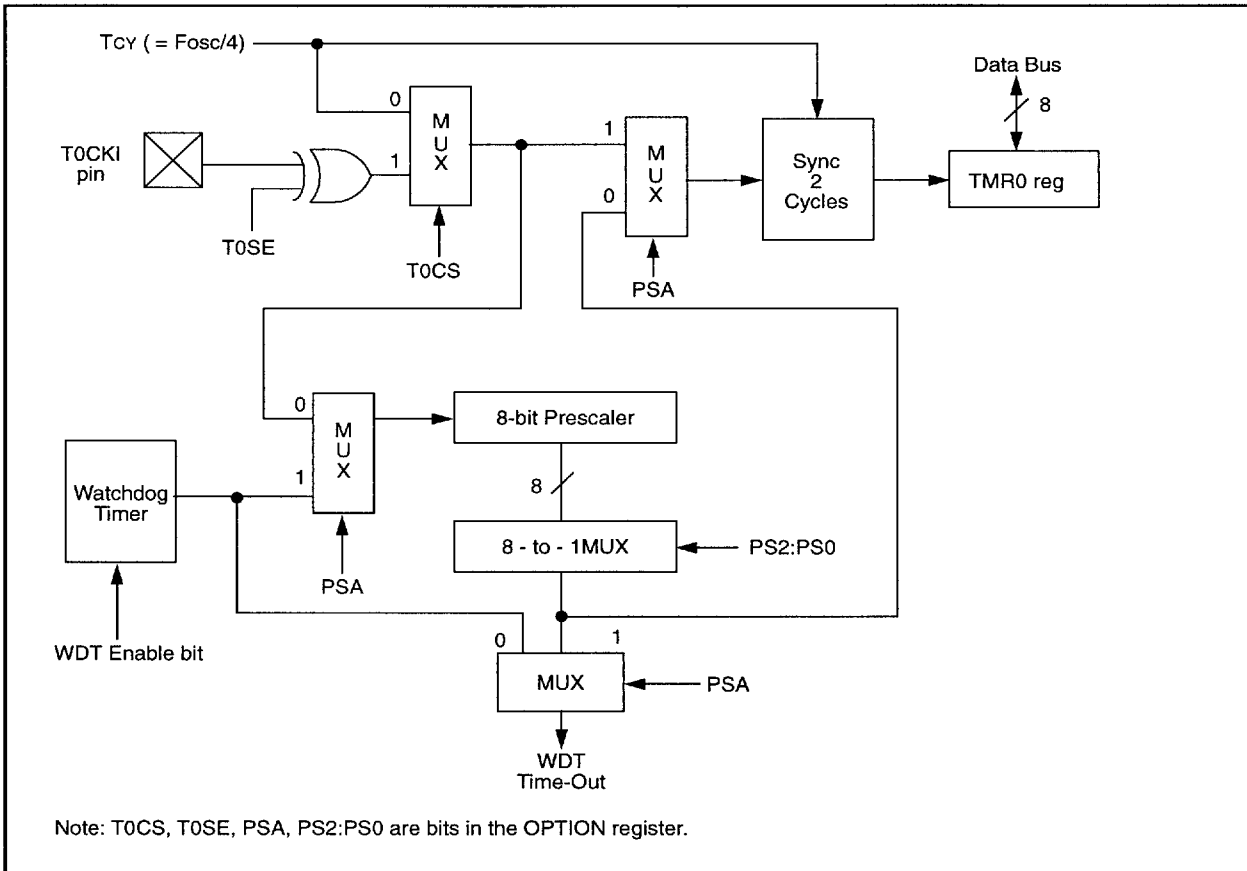
```
CLRWF TMR0      ;Clear TMR0
CLRWDT          ;Clears WDT and
               ;prescaler
MOVLW 'xxxx1xxx' ;Select new prescale
OPTION          ;value
```

To change prescaler from the WDT to the Timer0 module, use the sequence shown in Example 6-2. This sequence must be used even if the WDT is disabled. A CLRWDT instruction should be executed before switching the prescaler.

EXAMPLE 6-2: CHANGING PRESCALER (WDT→TIMER0)

```
CLRWDT          ;Clear WDT and
               ;prescaler
MOVLW 'xxxx0xxx' ;Select TMR0, new
               ;prescale value and
               ;clock source
OPTION
```

FIGURE 6-6: BLOCK DIAGRAM OF THE TIMER0/WDT PRESCALER



7.0 SPECIAL FEATURES OF THE CPU

What sets a microcontroller apart from other processors are special circuits to deal with the needs of real-time applications. The PIC16C5X family of microcontrollers has a host of such features intended to maximize system reliability, minimize cost through elimination of external components, provide power saving operating modes and offer code protection. These features are:

- Oscillator selection
- Reset
- Power-On Reset (POR)
- Device Reset Timer (DRT)
- Watchdog Timer (WDT)
- SLEEP
- Code protection
- ID locations

The PIC16C5X has a Watchdog Timer which can be shut off only through configuration bit WDTE. It runs off of its own RC oscillator for added reliability. There is an 18 ms delay provided by the Device Reset Timer (DRT), intended to keep the chip in reset until the crystal oscillator is stable. With this timer on-chip, most applications need no external reset circuitry.

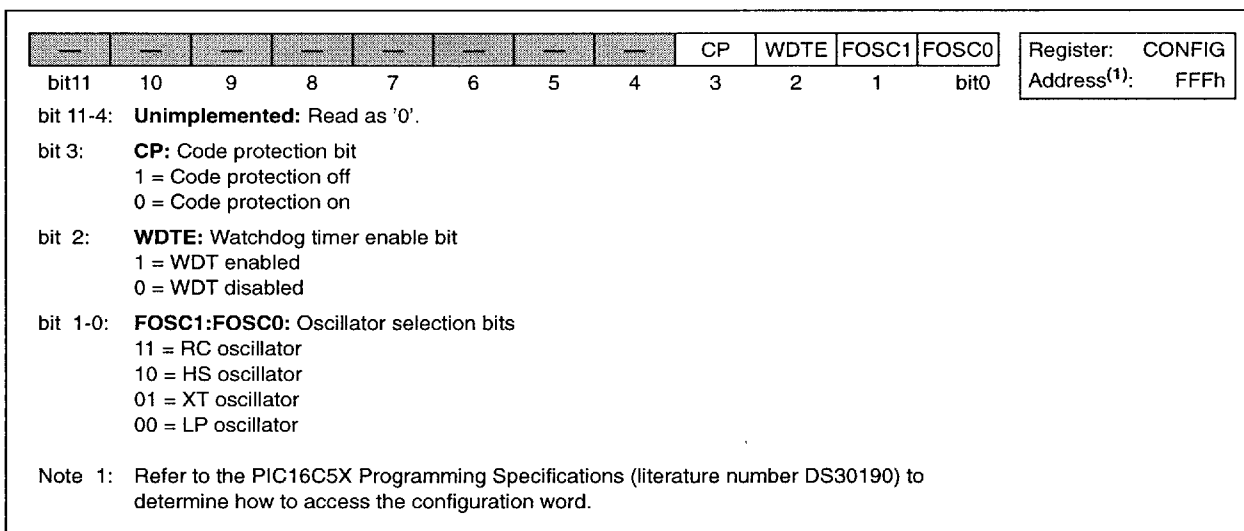
The SLEEP mode is designed to offer a very low current power-down mode. The user can wake up from SLEEP through external reset or through a Watchdog Timer time-out. Several oscillator options are also made available to allow the part to fit the application. The RC oscillator option saves system cost while the LP crystal option saves power. A set of configuration bits are used to select various options.

7.1 Configuration Bits

The PIC16C5X configuration word consists of 12 bits, 4 of which are implemented. Configuration bits can be programmed to select various device configurations. Two bits are for the selection of the oscillator type, one bit is the Watchdog Timer enable bit and one bit is the code protection bit (Figure 7-1).

OTP, QTP or ROM devices have the oscillator configuration programmed at the factory and these parts are tested accordingly (see "Product Identification System" on the inside back cover).

FIGURE 7-1: CONFIGURATION WORD FOR PIC16C54/CR54/C55/C56/C57



PIC16C5X

7.2 Oscillator Configurations

7.2.1 OSCILLATOR TYPES

The PIC16C5X can be operated in four different oscillator modes. The user can program two configuration bits (FOSC1:FOSC0) to select one of these four modes:

- LP: Low Power Crystal
- XT: Crystal/Resonator
- HS: High Speed Crystal/Resonator
- RC: Resistor/Capacitor

7.2.2 CRYSTAL OSCILLATOR / CERAMIC RESONATORS

In XT, LP or HS modes, a crystal or ceramic resonator is connected to the OSC1/CLKIN and OSC2/CLKOUT pins to establish oscillation (Figure 7-2). The PIC16C5X oscillator design requires the use of a parallel cut crystal. Use of a series cut crystal may give a frequency out of the crystal manufacturers specifications. When in XT, LP or HS modes, the device can have an external clock source drive the OSC1/CLKIN pin (Figure 7-3).

FIGURE 7-2: CRYSTAL OPERATION OR CERAMIC RESONATOR (HS, XT OR LP OSC CONFIGURATION)

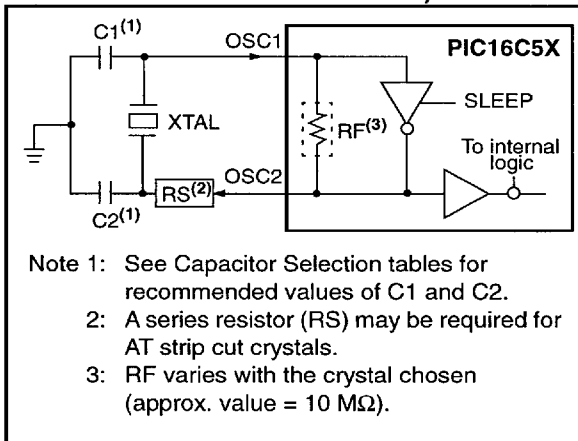


FIGURE 7-3: EXTERNAL CLOCK INPUT OPERATION (HS, XT OR LP OSC CONFIGURATION)

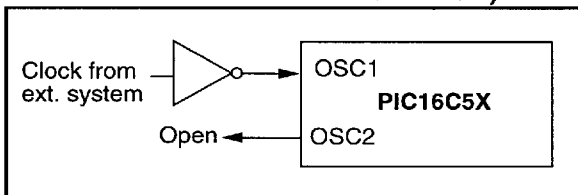


TABLE 7-1: CAPACITOR SELECTION FOR CERAMIC RESONATORS - PIC16C54/55/56/57

| Osc Type | Resonator Freq | Cap. Range C1 | Cap. Range C2 |
|----------|----------------|---------------|---------------|
| XT | 455 kHz | 68-100 pF | 68-100 pF |
| | 2.0 MHz | 15-33 pF | 15-33 pF |
| | 4.0 MHz | 10-22 pF | 10-22 pF |
| HS | 8.0 MHz | 10-22 pF | 10-22 pF |
| | 16.0 MHz | 10 pF | 10 pF |

These values are for design guidance only. Since each resonator has its own characteristics, the user should consult the resonator manufacturer for appropriate values of external components.

TABLE 7-2: CAPACITOR SELECTION FOR CRYSTAL OSCILLATOR - PIC16C54/55/56/57

| Osc Type | Resonator Freq | Cap. Range C1 | Cap. Range C2 |
|----------|-----------------------|---------------|---------------|
| LP | 32 kHz ⁽¹⁾ | 15 pF | 15 pF |
| XT | 100 kHz | 15-30 pF | 200-300 pF |
| | 200 kHz | 15-30 pF | 100-200 pF |
| | 455 kHz | 15-30 pF | 15-100 pF |
| | 1 MHz | 15-30 pF | 15-30 pF |
| | 2 MHz | 15 pF | 15 pF |
| | 4 MHz | 15 pF | 15 pF |
| HS | 4 MHz | 15 pF | 15 pF |
| | 8 MHz | 15 pF | 15 pF |
| | 20 MHz | 15 pF | 15 pF |

Note 1: For VDD > 4.5V, C1 = C2 ≈ 30pF is recommended.

These values are for design guidance only. Rs may be required in HS mode as well as XT mode to avoid overdriving crystals with low drive level specification. Since each crystal has its own characteristics, the user should consult the crystal manufacturer for appropriate values of external components.

TABLE 7-3: CAPACITOR SELECTION FOR CERAMIC RESONATORS - PIC16CR54

| Osc Type | Resonator Freq | Cap. Range C1 | Cap. Range C2 |
|----------------------------------|----------------|---------------|---------------|
| Data not available at this time. | | | |

TABLE 7-4: CAPACITOR SELECTION FOR CRYSTAL OSCILLATOR - PIC16CR54

| Osc Type | Resonator Freq | Cap. Range C1 | Cap. Range C2 |
|----------|-----------------------|---------------|---------------|
| LP | 32 kHz ⁽¹⁾ | 15-33 pF | 15-33 pF |
| | 100 kHz | 15-33 pF | 15-33 pF |
| | 200 kHz | 15-30 pF | 15-30 pF |
| XT | 100 kHz | 68-100 pF | 68-100 pF |
| | 200 kHz | 15-30 pF | 15-30 pF |
| | 1 MHz | 15-47 pF | 15-47 pF |
| | 2 MHz | 15-47 pF | 15-47 pF |
| HS | 4 MHz | 15-47 pF | 15-47 pF |
| | 8 MHz | 15-47 pF | 15-47 pF |
| | 20 MHz | 15-47 pF | 15-47 pF |

Note 1: For $V_{DD} < 2.5V$, $C1 = C2 \approx 15-33pF$ is recommended.

These values are for design guidance only. Rs may be required in HS mode as well as XT mode to avoid overdriving crystals with low drive level specification. Since each crystal has its own characteristics, the user should consult the crystal manufacturer for appropriate values of external components.

7.2.3 EXTERNAL CRYSTAL OSCILLATOR CIRCUIT

Either a prepackaged oscillator or a simple oscillator circuit with TTL gates can be used as an external crystal oscillator circuit. Prepackaged oscillators provide a wide operating range and better stability. A well-designed crystal oscillator will provide good performance with TTL gates. Two types of crystal oscillator circuits can be used: one with parallel resonance, or one with series resonance.

Figure 7-4 shows implementation of a parallel resonant oscillator circuit. The circuit is designed to use the fundamental frequency of the crystal. The 74AS04 inverter performs the 180-degree phase shift that a parallel oscillator requires. The 4.7 kΩ resistor provides the negative feedback for stability. The 10 kΩ potentiometers bias the 74AS04 in the linear region. This circuit could be used for external oscillator designs.

FIGURE 7-4: EXTERNAL PARALLEL RESONANT CRYSTAL OSCILLATOR CIRCUIT

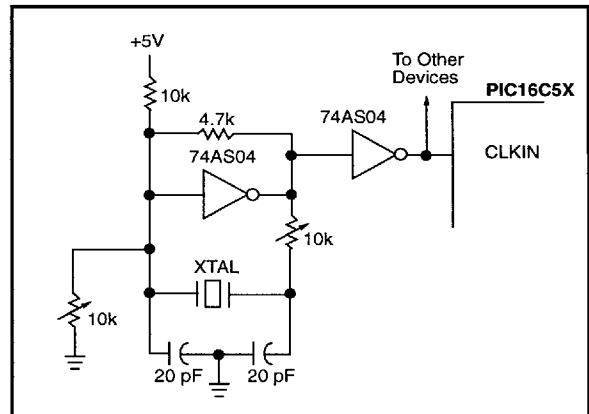
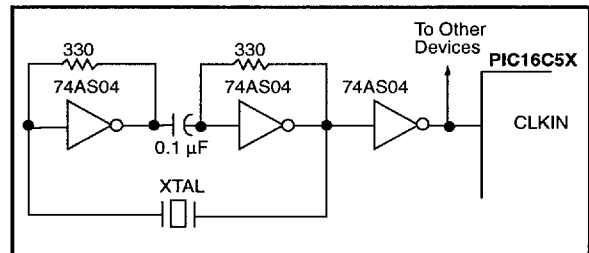


Figure 7-5 shows a series resonant oscillator circuit. This circuit is also designed to use the fundamental frequency of the crystal. The inverter performs a 180-degree phase shift in a series resonant oscillator circuit. The 330Ω resistors provide the negative feedback to bias the inverters in their linear region.

FIGURE 7-5: EXTERNAL SERIES RESONANT CRYSTAL OSCILLATOR CIRCUIT



PIC16C5X

7.2.4 RC OSCILLATOR

For timing insensitive applications, the RC device option offers additional cost savings. The RC oscillator frequency is a function of the supply voltage, the resistor (R_{ext}) and capacitor (C_{ext}) values, and the operating temperature. In addition to this, the oscillator frequency will vary from unit to unit due to normal process parameter variation. Furthermore, the difference in lead frame capacitance between package types will also affect the oscillation frequency, especially for low C_{ext} values. The user also needs to take into account variation due to tolerance of external R and C components used.

Figure 7-6 shows how the R/C combination is connected to the PIC16C5X. For R_{ext} values below 2.2 k Ω , the oscillator operation may become unstable, or stop completely. For very high R_{ext} values (e.g., 1 M Ω) the oscillator becomes sensitive to noise, humidity and leakage. Thus, we recommend keeping R_{ext} between 3 k Ω and 100 k Ω .

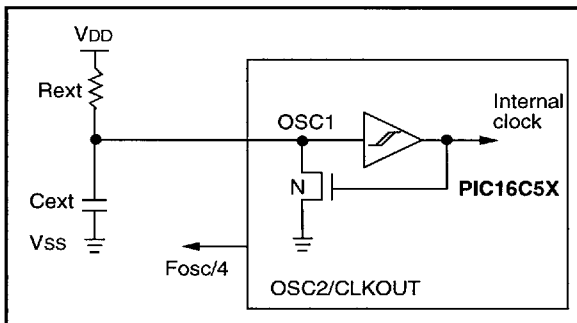
Although the oscillator will operate with no external capacitor ($C_{ext} = 0$ pF), we recommend using values above 20 pF for noise and stability reasons. With no or small external capacitance, the oscillation frequency can vary dramatically due to changes in external capacitances, such as PCB trace capacitance or package lead frame capacitance.

The Electrical Specifications sections show RC frequency variation from part to part due to normal process variation. The variation is larger for larger R (since leakage current variation will affect RC frequency more for large R) and for smaller C (since variation of input capacitance will affect RC frequency more).

Also, see the Electrical Specifications sections for variation of oscillator frequency due to V_{DD} for given R_{ext}/C_{ext} values as well as frequency variation due to operating temperature for given R, C, and V_{DD} values.

The oscillator frequency, divided by four, is available on the OSC2/CLKOUT pin, and can be used for test purposes or to synchronize other logic.

FIGURE 7-6: RC OSCILLATOR MODE



7.3 Reset

PIC16C5X devices may be reset in one of the following ways:

- Power-On Reset (POR)
- \overline{MCLR} reset (normal operation)
- \overline{MCLR} wake-up reset (from SLEEP)
- WDT reset (normal operation)
- WDT wake-up reset (from SLEEP)

Table 7-5 shows these reset conditions for the PCL and STATUS registers.

Some registers are not affected in any reset condition. Their status is unknown on POR and unchanged in any other reset. Most other registers are reset to a "reset state" on Power-On Reset (POR), \overline{MCLR} or WDT reset. A \overline{MCLR} or WDT wake-up from SLEEP also results in a device reset, and not a continuation of operation before SLEEP.

The \overline{TO} and \overline{PD} bits (STATUS <4:3>) are set or cleared depending on the different reset conditions (Section 7.7). These bits may be used to determine the nature of the reset.

Table 7-6 lists a full description of reset states of all registers. Figure 7-7 shows a simplified block diagram of the on-chip reset circuit.

TABLE 7-5: RESET CONDITIONS FOR SPECIAL REGISTERS

| Condition | PCL Addr: 02h | STATUS Addr: 03h |
|-------------------------------|------------------|--------------------------|
| Power-On Reset | 1111 1111 | 0001 1xxx |
| MCLR reset (normal operation) | 1111 1111 | 000u uuuu ⁽¹⁾ |
| MCLR wake-up (from SLEEP) | 1111 1111 | 0001 0uuu |
| WDT reset (normal operation) | 1111 1111 | 0000 1uuu ⁽²⁾ |
| WDT wake-up (from SLEEP) | 1111 1111 | 0000 0uuu |

Legend: u = unchanged, x = unknown, - = unimplemented read as '0'.

Note 1: \overline{TO} and \overline{PD} bits retain their last value until one of the other reset conditions occur.

2: The CLRWDT instruction will set the \overline{TO} and \overline{PD} bits.

TABLE 7-6: RESET CONDITIONS FOR ALL REGISTERS

| Register | Address | Power-On Reset | MCLR or WDT Reset |
|--------------------------------|---------|----------------|-------------------|
| W | N/A | xxxx xxxx | uuuu uuuu |
| TRIS | N/A | 1111 1111 | 1111 1111 |
| OPTION | N/A | --11 1111 | --11 1111 |
| INDF | 00h | xxxx xxxx | uuuu uuuu |
| TMR0 | 01h | xxxx xxxx | uuuu uuuu |
| PCL ⁽¹⁾ | 02h | 1111 1111 | 1111 1111 |
| STATUS ⁽¹⁾ | 03h | 0001 1xxx | 000q quuu |
| FSR | 04h | 1xxx xxxx | 1uuu uuuu |
| PORTA | 05h | ---- xxxx | ---- uuuu |
| PORTB | 06h | xxxx xxxx | uuuu uuuu |
| PORTC ⁽²⁾ | 07h | xxxx xxxx | uuuu uuuu |
| General Purpose register files | 08-7Fh | xxxx xxxx | uuuu uuuu |

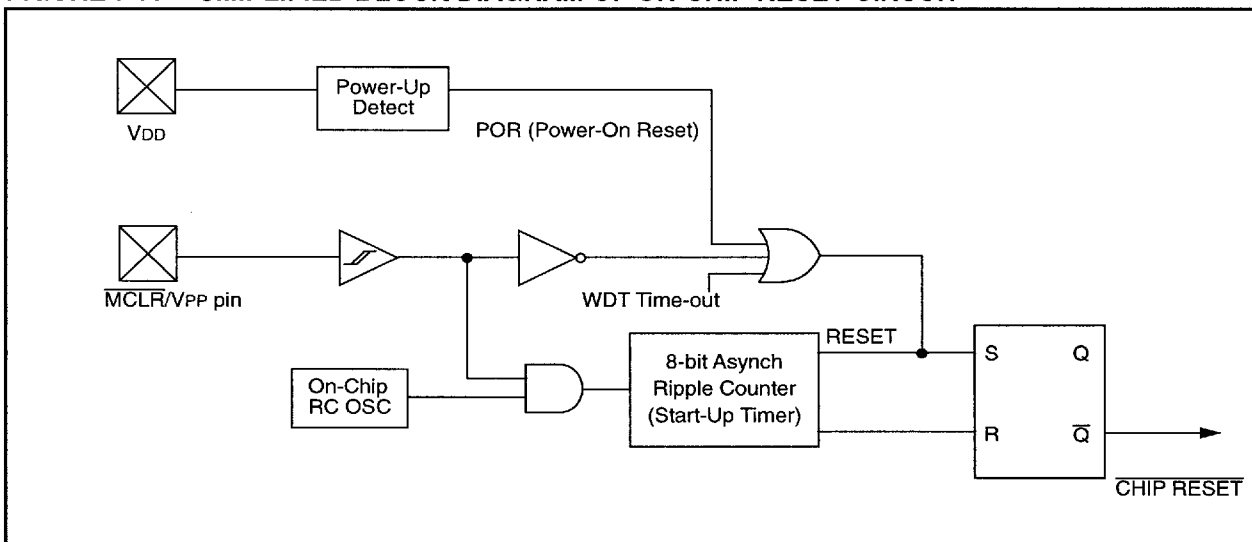
Legend: u = unchanged, x = unknown, - = unimplemented, read as '0',

q = see tables in Section 7.7 for possible values.

Note 1: See Table 7-5 for reset value for specific conditions.

2: General purpose register file on the PIC16C54/CR54/C56.

FIGURE 7-7: SIMPLIFIED BLOCK DIAGRAM OF ON-CHIP RESET CIRCUIT



PIC16C5X

7.4 Power-On Reset (POR)

The PIC16C5X family incorporates on-chip Power-On Reset (POR) circuitry which provides an internal chip reset for most power-up situations. To use this feature, the user merely ties the $\overline{\text{MCLR}}/\text{VPP}$ pin (Figure 7-8) to VDD . A simplified block diagram of the on-chip Power-On Reset circuit is shown in Figure 7-7.

The Power-On Reset circuit and the Device Reset Timer (Section 7.5) circuit are closely related. On power-up, the reset latch is set and the DRT is reset. The DRT timer begins counting once it detects $\overline{\text{MCLR}}$ to be high. After the time-out period, which is typically 18 ms, it will reset the reset latch and thus end the on-chip reset signal.

A power-up example where $\overline{\text{MCLR}}$ is not tied to VDD is shown in Figure 7-10. VDD is allowed to rise and stabilize before bringing $\overline{\text{MCLR}}$ high. The chip will actually come out of reset TDRT msec after $\overline{\text{MCLR}}$ goes high.

In Figure 7-11, the on-chip Power-On Reset feature is being used ($\overline{\text{MCLR}}$ and VDD are tied together). The VDD is stable before the start-up timer times out and there is no problem in getting a proper reset. However, Figure 7-12 depicts a problem situation where VDD rises too slowly. The time between when the DRT senses a high on the $\overline{\text{MCLR}}/\text{VPP}$ pin, and when the $\overline{\text{MCLR}}/\text{VPP}$ pin (and VDD) actually reach their full value, is too long. In this situation, when the start-up timer times out, VDD has not reached the $\text{VDD}(\text{min})$ value and the chip is, therefore, not guaranteed to function correctly.

On-chip POR is guaranteed to work if the rate of rise of VDD is no slower than 0.05V/ms and VDD starts from 0V. If the on-chip POR time delay is too short for low frequency crystals/resonators (which require much longer than 18 ms to start-up and stabilize) or for high frequency crystals/resonators (which have to reach a higher VDD voltage for operation), we recommend that external RC circuits be used to achieve longer POR delay times (Figure 7-9).

FIGURE 7-8: ELECTRICAL STRUCTURE OF $\overline{\text{MCLR}}/\text{VPP}$ PIN

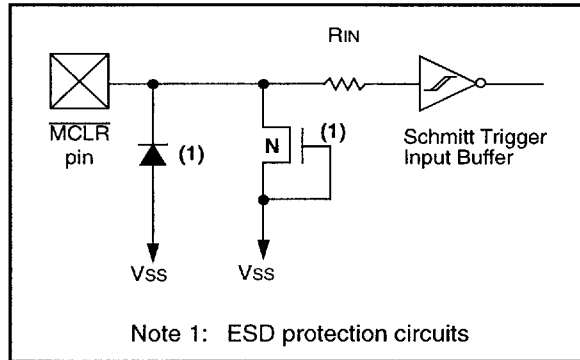


FIGURE 7-9: EXTERNAL POWER-ON RESET CIRCUIT (FOR SLOW VDD POWER-UP)

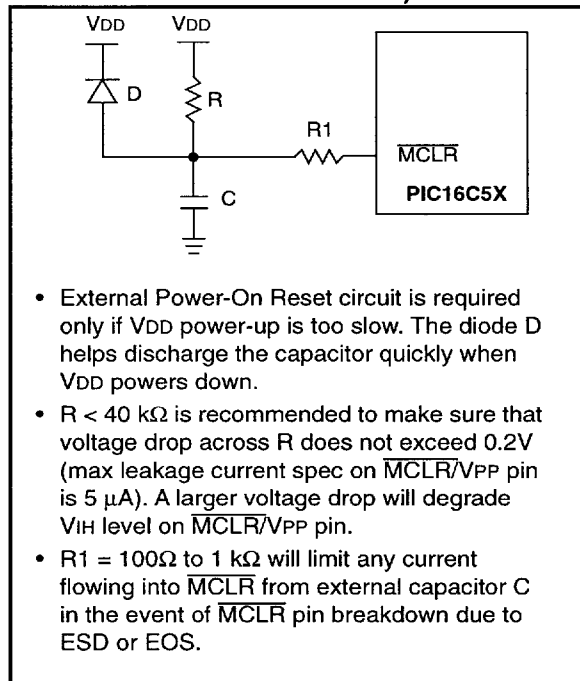


FIGURE 7-10: TIME-OUT SEQUENCE ON POWER-UP ($\overline{\text{MCLR}}$ NOT TIED TO V_{DD})

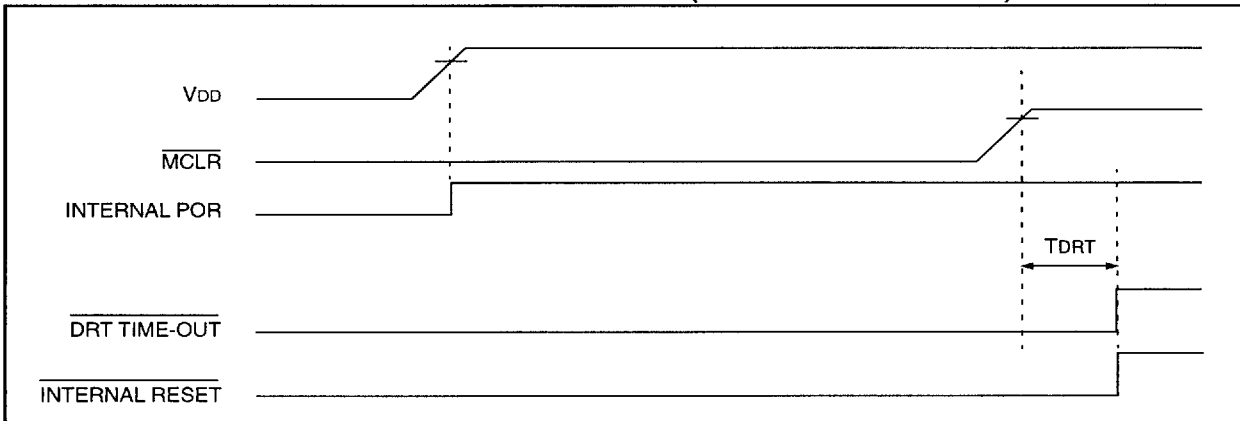


FIGURE 7-11: TIME-OUT SEQUENCE ON POWER-UP ($\overline{\text{MCLR}}$ TIED TO V_{DD}): FAST V_{DD} RISE TIME

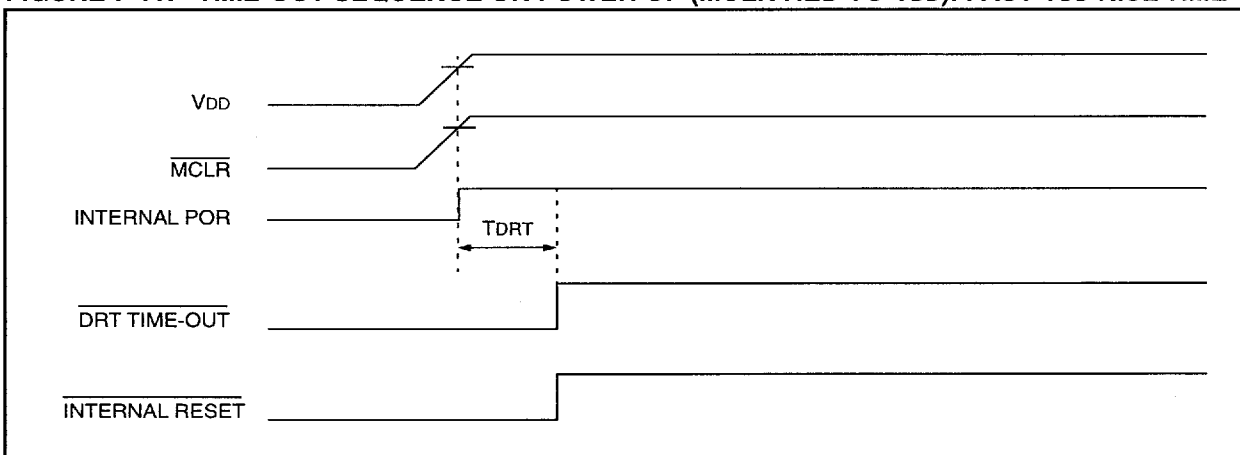
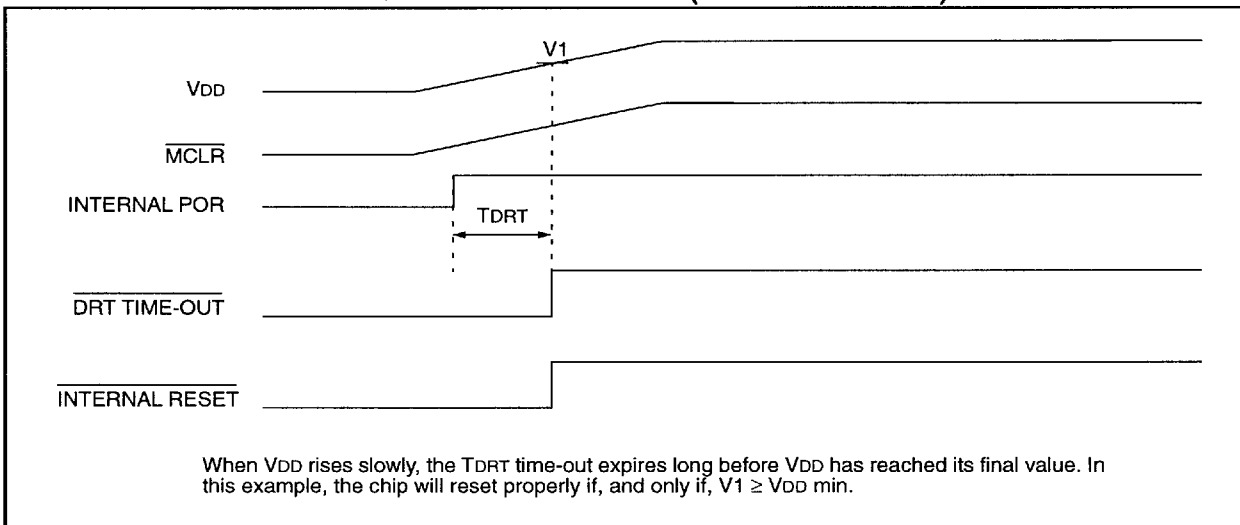


FIGURE 7-12: TIME-OUT SEQUENCE ON POWER-UP ($\overline{\text{MCLR}}$ TIED TO V_{DD}): SLOW V_{DD} RISE TIME



PIC16C5X

7.5 Device Reset Timer (DRT)

The Device Reset Timer (DRT) provides a fixed 18 ms nominal time-out on reset. The DRT operates on an internal RC oscillator. The processor is kept in RESET as long as the DRT is active. The DRT delay allows VDD to rise above VDD min., and for the oscillator to stabilize.

Oscillator circuits based on crystals or ceramic resonators require a certain time after power-up to establish a stable oscillation. The on-chip DRT keeps the device in a RESET for approximately 18 ms after the voltage on the \overline{MCLR}/V_{PP} pin has reached a logic high (V_{IHMC}) level. Thus, external RC networks connected to the \overline{MCLR} input are not required in most cases, allowing for savings in cost-sensitive and/or space restricted applications.

The Device Reset time delay will vary from chip to chip due to VDD, temperature, and process variation. See AC parameters for details.

The DRT will also be triggered upon a Watchdog Timer time-out. This is particularly important for applications using the WDT to wake the PIC16C5X from SLEEP mode automatically.

7.6 Watchdog Timer (WDT)

The Watchdog Timer (WDT) is a free running on-chip RC oscillator which does not require any external components. This RC oscillator is separate from the RC oscillator of the OSC1/CLKIN pin. That means that the WDT will run even if the clock on the OSC1/CLKIN and OSC2/CLKOUT pins have been stopped, for example, by execution of a SLEEP instruction. During normal operation or SLEEP, a WDT reset or wake-up reset generates a device RESET.

The \overline{TO} bit (STATUS<4>) will be cleared upon a Watchdog Timer reset.

The WDT can be permanently disabled by programming the configuration bit WDTE as a '0' (Section 7.1).

7.6.1 WDT PERIOD

The WDT has a nominal time-out period of 18 ms, (with no prescaler). If a longer time-out period is desired, a prescaler with a division ratio of up to 1:128 can be assigned to the WDT (under software control) by writing to the OPTION register. Thus, time-out a period of a nominal 2.3 seconds can be realized. These periods vary with temperature, VDD and part-to-part process variations (see DC specs).

Under worst case conditions (VDD = Min., Temperature = Max., max. WDT prescaler), it may take several seconds before a WDT time-out occurs.

7.6.2 WDT PROGRAMMING CONSIDERATIONS

The CLRWDT instruction clears the WDT and the postscaler, if assigned to the WDT, and prevents it from timing out and generating a device RESET.

The SLEEP instruction resets the WDT and the postscaler, if assigned to the WDT. This gives the maximum SLEEP time before a WDT wake-up reset.

FIGURE 7-13: WATCHDOG TIMER BLOCK DIAGRAM

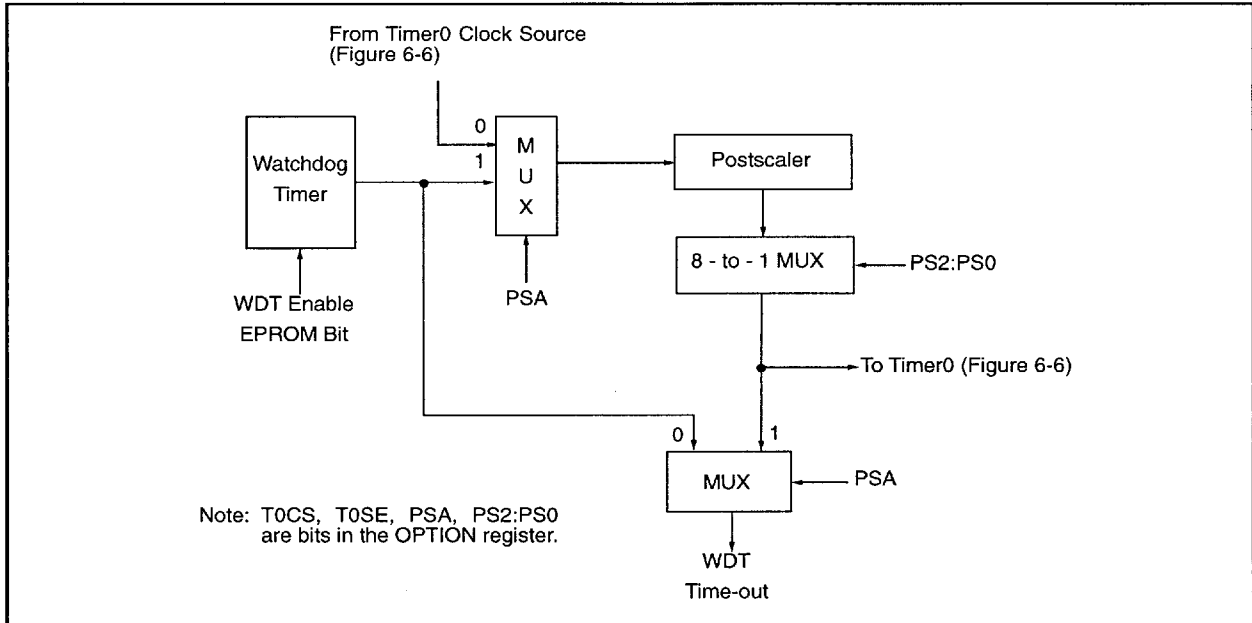


TABLE 7-7: SUMMARY OF REGISTERS ASSOCIATED WITH THE WATCHDOG TIMER

| Address | Name | Bit 7 | Bit 6 | Bit 5 | Bit 4 | Bit 3 | Bit 2 | Bit 1 | Bit 0 | Value on Power-On Reset | Value on MCLR and WDT Reset |
|---------------------|-----------------------------|-------|-------|-------|-------|-------|-------|-------|-------|-------------------------|-----------------------------|
| FFFh ⁽¹⁾ | Config. Word ⁽²⁾ | --- | --- | --- | --- | CP | WDTE | FOSC1 | FOSC0 | ---- uuuu | ---- uuuu |
| N/A | OPTION | --- | --- | T0CS | T0SE | PSA | PS2 | PS1 | PS0 | --11 1111 | --11 1111 |

Legend: Shaded boxes = Not used by Watchdog Timer,
 - = unimplemented, read as '0', u = unchanged

Note 1: Refer to the PIC16C5X Programming Specifications (literature number DS30190) to determine how to access the configuration word.

Note 2: Only the first 8 bits of the Configuration Word are shown. Reset values (for POR, MCLR and WDT) for bits 12:8 are unimplemented, read as '0'. Initial values of bits 3:0 = 1111.

PIC16C5X

7.7 Time-Out Sequence and Power Down Status Bits ($\overline{TO}/\overline{PD}$)

The \overline{TO} and \overline{PD} bits in the STATUS register can be tested to determine if a RESET condition has been caused by a power-up condition, a \overline{MCLR} or Watchdog Timer (WDT) reset, or a \overline{MCLR} or WDT wake-up reset.

TABLE 7-8: $\overline{TO}/\overline{PD}$ STATUS AFTER RESET

| \overline{TO} | \overline{PD} | RESET was caused by |
|-----------------|-----------------|---|
| 1 | 1 | Power-up (POR) |
| u | u | \overline{MCLR} reset (normal operation) ⁽¹⁾ |
| 1 | 0 | \overline{MCLR} wake-up reset (from SLEEP) |
| 0 | 1 | WDT reset (normal operation) |
| 0 | 0 | WDT wake-up reset (from SLEEP) |

Legend: u = unchanged

Note 1: The \overline{TO} and \overline{PD} bits maintain their status (u) until a reset occurs. A low-pulse on the \overline{MCLR} input does not change the \overline{TO} and \overline{PD} status bits.

These STATUS bits are only affected by events listed in Table 7-9.

TABLE 7-9: EVENTS AFFECTING $\overline{TO}/\overline{PD}$ STATUS BITS

| Event | \overline{TO} | \overline{PD} | Remarks |
|--------------------|-----------------|-----------------|------------------------------|
| Power-up | 1 | 1 | |
| WDT Time-out | 0 | u | No effect on \overline{PD} |
| SLEEP instruction | 1 | 0 | |
| CLRWDT instruction | 1 | 1 | |

Legend: u = unchanged

A WDT time-out will occur regardless of the status of the \overline{TO} bit. A SLEEP instruction will be executed, regardless of the status of the \overline{PD} bit. Table 7-8 reflects the status of \overline{TO} and \overline{PD} after the corresponding event.

Table 7-5 lists the reset conditions for the special function registers, while Table 7-6 lists the reset conditions for all the registers.

7.8 Reset on Brown-Out

A brown-out is a condition where device power (V_{DD}) dips below its minimum value, but not to zero, and then recovers. The device should be reset in the event of a brown-out.

To reset PIC16C5X devices when a brown-out occurs, external brown-out protection circuits may be built (Figure 7-14 and Figure 7-15).

FIGURE 7-14: BROWN-OUT PROTECTION CIRCUIT 1

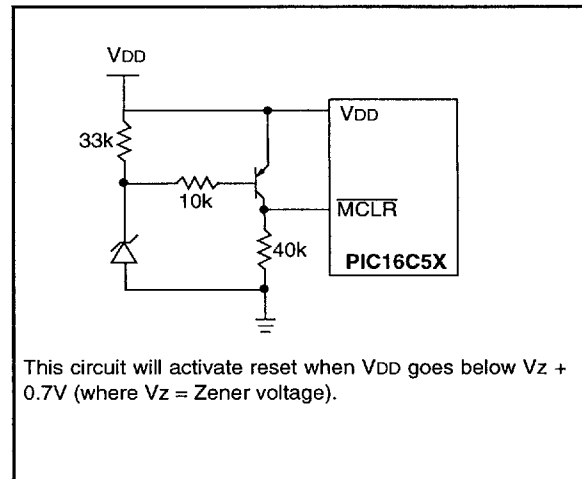
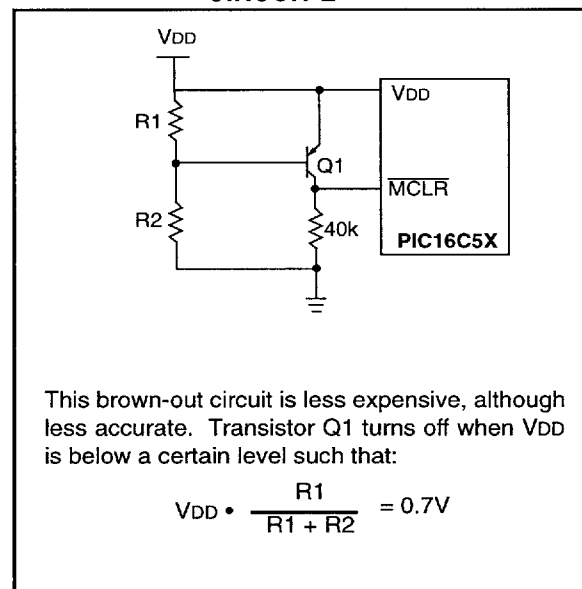


FIGURE 7-15: BROWN-OUT PROTECTION CIRCUIT 2



7.9 Power-Down Mode (SLEEP)

A device may be powered down (SLEEP) and later powered up (Wake-up from SLEEP).

7.9.1 SLEEP

The Power-Down mode is entered by executing a SLEEP instruction.

If enabled, the Watchdog Timer will be cleared but keeps running, the \overline{TO} bit (STATUS<4>) is set, the \overline{PD} bit (STATUS<3>) is cleared and the oscillator driver is turned off. The I/O ports maintain the status they had before the SLEEP instruction was executed (driving high, driving low, or hi-impedance).

It should be noted that a RESET generated by a WDT time-out does not drive the \overline{MCLR}/VPP pin low.

For lowest current consumption while powered down, the TOCKI input should be at VDD or VSS and the \overline{MCLR}/VPP pin must be at a logic high level (V_{IHMC}).

7.9.2 WAKE-UP FROM SLEEP

The device can wake-up from SLEEP through one of the following events:

1. An external reset input on \overline{MCLR}/VPP pin.
2. A Watchdog Timer time-out reset (if WDT was enabled).

Both of these events cause a device reset. The \overline{TO} and \overline{PD} bits can be used to determine the cause of device reset. The \overline{TO} bit is cleared if a WDT time-out occurred (and caused wake-up). The \overline{PD} bit, which is set on power-up, is cleared when SLEEP is invoked.

The WDT is cleared when the device wakes from sleep, regardless of the wake-up source.

7.10 Code Protection

The program memory can be code protected by selecting the code protect option when programming the device.

In a code protected mode, the configuration word will not be protected, allowing reading of all bits.

For EPROM devices, program memory locations 40h and above cannot be further programmed. However, the first 64 locations, 00h-3Fh, may be programmed. These locations are not considered "secure".

7.11 ID Locations

Four memory locations are designated as ID locations where the user can store checksum or other code-identification numbers. These locations are not accessible during normal execution but are readable and writable during program/verify.

Use only the lower four bits of the ID locations and always program the upper eight bits as '1's.

Note: Microchip will assign a unique pattern number for QTP and SQTP requests and for ROM devices. This pattern number will be unique and traceable to the submitted code.

PIC16C5X

NOTES:

PAGE(S) INTENTIONALLY BLANK

8.0 INSTRUCTION SET SUMMARY

Each PIC16C5X instruction is a 12-bit word divided into an OPCODE, which specifies the instruction type, and one or more operands which further specify the operation of the instruction. The PIC16C5X instruction set summary in Table 8-2 groups the instructions into byte-oriented, bit-oriented, and literal and control operations. Table 8-1 shows the opcode field descriptions.

For **byte-oriented** instructions, 'f' represents a file register designator and 'd' represents a destination designator. The file register designator is used to specify which one of the 32 file registers is to be used by the instruction.

The destination designator specifies where the result of the operation is to be placed. If 'd' is '0', the result is placed in the W register. If 'd' is '1', the result is placed in the file register specified in the instruction.

For **bit-oriented** instructions, 'b' represents a bit field designator which selects the number of the bit affected by the operation, while 'f' represents the number of the file in which the bit is located.

For **literal and control** operations, 'k' represents an 8 or 9-bit constant or literal value.

TABLE 8-1: OPCODE FIELD DESCRIPTIONS

| Field | Description |
|----------------|---|
| f | Register file address (0x00 to 0x7F) |
| w | Working register (accumulator) |
| b | Bit address within an 8-bit file register |
| k | Literal field, constant data or label |
| x | Don't care location (= 0 or 1) The assembler will generate code with x = 0. It is the recommended form of use for compatibility with all Microchip software tools. |
| d | Destination select; d = 0 (store result in W) d = 1 (store result in file register 'f') Default is d = 1 |
| label | Label name |
| TOS | Top of Stack |
| PC | Program Counter |
| WDT | Watchdog Timer Counter |
| T \bar{O} | Time-Out bit |
| P \bar{D} | Power-Down bit |
| dest | Destination, either the W register or the specified register file location |
| [] | Options |
| () | Contents |
| → | Assigned to |
| < > | Register bit field |
| ∈ | In the set of |
| <i>italics</i> | User defined term (font is courier) |

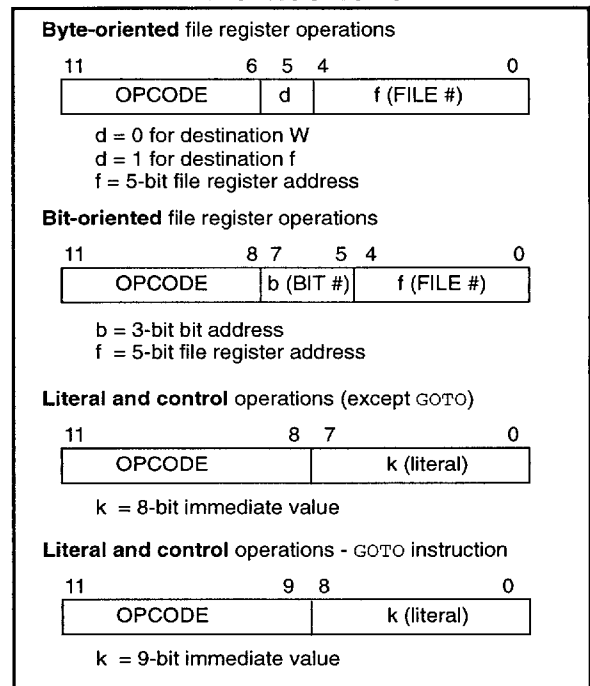
All instructions are executed within one single instruction cycle, unless a conditional test is true or the program counter is changed as a result of an instruction. In this case, the execution takes two instruction cycles. One instruction cycle consists of four oscillator periods. Thus, for an oscillator frequency of 4 MHz, the normal instruction execution time is 1 μ s. If a conditional test is true or the program counter is changed as a result of an instruction, the instruction execution time is 2 μ s.

Figure 8-1 shows the three general formats that the instructions can have. All examples in the figure use the following format to represent a hexadecimal number:

0xhhh

where 'h' signifies a hexadecimal digit.

FIGURE 8-1: GENERAL FORMAT FOR INSTRUCTIONS



PIC16C5X

TABLE 8-2: INSTRUCTION SET SUMMARY

| Mnemonic, Operands | Description | Cycles | 12-Bit Opcode | | | Status Affected | Notes |
|--|------------------------------|--------|---------------|-------|------|--------------------------------|-------|
| | | | MSb | LSb | | | |
| ADDWF f,d | Add W and f | 1 | 0001 | 11df | ffff | C,DC,Z | 1,2,4 |
| ANDWF f,d | AND W with f | 1 | 0001 | 01df | ffff | Z | 2,4 |
| CLRF f | Clear f | 1 | 0000 | 011f | ffff | Z | 4 |
| CLRW – | Clear W | 1 | 0000 | 0100 | 0000 | Z | |
| COMF f, d | Complement f | 1 | 0010 | 01df | ffff | Z | |
| DECf f, d | Decrement f | 1 | 0000 | 11df | ffff | Z | 2,4 |
| DECFSZ f, d | Decrement f, Skip if 0 | 1(2) | 0010 | 11df | ffff | None | 2,4 |
| INCF f, d | Increment f | 1 | 0010 | 10df | ffff | Z | 2,4 |
| INCFSZ f, d | Increment f, Skip if 0 | 1(2) | 0011 | 11df | ffff | None | 2,4 |
| IORWF f, d | Inclusive OR W with f | 1 | 0001 | 00df | ffff | Z | 2,4 |
| MOVF f, d | Move f | 1 | 0010 | 00df | ffff | Z | 2,4 |
| MOVWF f | Move W to f | 1 | 0000 | 001f | ffff | None | 1,4 |
| NOP – | No Operation | 1 | 0000 | 0000 | 0000 | None | |
| RLF f, d | Rotate left f through Carry | 1 | 0011 | 01df | ffff | C | 2,4 |
| RRF f, d | Rotate right f through Carry | 1 | 0011 | 00df | ffff | C | 2,4 |
| SUBWF f, d | Subtract W from f | 1 | 0000 | 10df | ffff | C,DC,Z | 1,2,4 |
| SWAPF f, d | Swap f | 1 | 0011 | 10df | ffff | None | 2,4 |
| XORWF f, d | Exclusive OR W with f | 1 | 0001 | 10df | ffff | Z | 2,4 |
| BIT-ORIENTED FILE REGISTER OPERATIONS | | | | | | | |
| BCF f, b | Bit Clear f | 1 | 0100 | bbb f | ffff | None | 2,4 |
| BSF f, b | Bit Set f | 1 | 0101 | bbb f | ffff | None | 2,4 |
| BTFSC f, b | Bit Test f, Skip if Clear | 1 (2) | 0110 | bbb f | ffff | None | |
| BTFSS f, b | Bit Test f, Skip if Set | 1 (2) | 0111 | bbb f | ffff | None | |
| LITERAL AND CONTROL OPERATIONS | | | | | | | |
| ANDLW k | AND literal with W | 1 | 1110 | kkkk | kkkk | Z | |
| CALL k | Call subroutine | 2 | 1001 | kkkk | kkkk | None | 1 |
| CLRWDT k | Clear Watchdog Timer | 1 | 0000 | 0000 | 0100 | $\overline{TO}, \overline{PD}$ | |
| GOTO k | Unconditional branch | 2 | 101k | kkkk | kkkk | None | |
| IORLW k | Inclusive OR Literal with W | 1 | 1101 | kkkk | kkkk | Z | |
| MOVLW k | Move Literal to W | 1 | 1100 | kkkk | kkkk | None | |
| OPTION k | Load OPTION register | 1 | 0000 | 0000 | 0010 | None | |
| RETLW k | Return, place Literal in W | 2 | 1000 | kkkk | kkkk | None | |
| SLEEP – | Go into standby mode | 1 | 0000 | 0000 | 0011 | $\overline{TO}, \overline{PD}$ | |
| TRIS f | Load TRIS register | 1 | 0000 | 0000 | 0fff | None | 3 |
| XORLW k | Exclusive OR Literal to W | 1 | 1111 | kkkk | kkkk | Z | |

Note 1: The 9th bit of the program counter will be forced to a '0' by any instruction that writes to the PC except for GOTO. (Section 4.5)

- When an I/O register is modified as a function of itself (e.g. MOVF PORTB, 1), the value used will be that value present on the pins themselves. For example, if the data latch is '1' for a pin configured as input and is driven low by an external device, the data will be written back with a '0'.
- The instruction TRIS f, where f = 5, 6, or 7 causes the contents of the W register to be written to the tristate latches of PORTA, B or C, respectively. A '1' forces the pin to a hi-impedance state and disables the output buffers.
- If this instruction is executed on the TMR0 register (and, where applicable, d = 1), the prescaler will be cleared (if assigned to TMR0).

ADDWF Add W and f

Syntax: [*label*] ADDWF f,d

Operands: $0 \leq f \leq 31$
 $d \in \{0,1\}$

Operation: (W) + (f) → (dest)

Status Affected: C, DC, Z

Encoding:

| | | |
|------|------|------|
| 0001 | 11df | ffff |
|------|------|------|

Description: Add the contents of the W register and register 'f'. If 'd' is 0 the result is stored in the W register. If 'd' is '1' the result is stored back in register 'f'.

Words: 1

Cycles: 1

Example: ADDWF FSR, 0

Before Instruction
 W = 0x17
 FSR = 0xC2

After Instruction
 W = 0xD9
 FSR = 0xC2

ANDWF AND W with f

Syntax: [*label*] ANDWF f,d

Operands: $0 \leq f \leq 31$
 $d \in \{0,1\}$

Operation: (W) .AND. (f) → (dest)

Status Affected: Z

Encoding:

| | | |
|------|------|------|
| 0001 | 01df | ffff |
|------|------|------|

Description: The contents of the W register are AND'ed with register 'f'. If 'd' is 0 the result is stored in the W register. If 'd' is '1' the result is stored back in register 'f'.

Words: 1

Cycles: 1

Example: ANDWF FSR, 1

Before Instruction
 W = 0x17
 FSR = 0xC2

After Instruction
 W = 0x17
 FSR = 0x02

ANDLW And literal with W

Syntax: [*label*] ANDLW k

Operands: $0 \leq k \leq 255$

Operation: (W).AND. (k) → (W)

Status Affected: Z

Encoding:

| | | |
|------|------|------|
| 1110 | kkkk | kkkk |
|------|------|------|

Description: The contents of the W register are AND'ed with the eight-bit literal 'k'. The result is placed in the W register.

Words: 1

Cycles: 1

Example: ANDLW 0x5F

Before Instruction
 W = 0xA3

After Instruction
 W = 0x03

BCF Bit Clear f

Syntax: [*label*] BCF f,b

Operands: $0 \leq f \leq 31$
 $0 \leq b \leq 7$

Operation: $0 \rightarrow (f)$

Status Affected: None

Encoding:

| | | |
|------|------|------|
| 0100 | bbbf | ffff |
|------|------|------|

Description: Bit 'b' in register 'f' is cleared.

Words: 1

Cycles: 1

Example: BCF FLAG_REG, 7

Before Instruction
 FLAG_REG = 0xC7

After Instruction
 FLAG_REG = 0x47

PIC16C5X

BSF Bit Set f

Syntax: [*label*] BSF f,b
 Operands: $0 \leq f \leq 31$
 $0 \leq b \leq 7$
 Operation: $1 \rightarrow (f < b)$
 Status Affected: None
 Encoding:

| | | |
|------|------|------|
| 0101 | bbbb | ffff |
|------|------|------|

 Description: Bit 'b' in register 'f' is set.
 Words: 1
 Cycles: 1
 Example: BSF FLAG_REG, 7

Before Instruction
 FLAG_REG = 0x0A
 After Instruction
 FLAG_REG = 0x8A

BTFSC Bit Test f, Skip if Clear

Syntax: [*label*] BTFSC f,b
 Operands: $0 \leq f \leq 31$
 $0 \leq b \leq 7$
 Operation: skip if $(f < b) = 0$
 Status Affected: None
 Encoding:

| | | |
|------|------|------|
| 0110 | bbbb | ffff |
|------|------|------|

 Description: If bit 'b' in register 'f' is 0 then the next instruction is skipped.
 If bit 'b' is 0 then the next instruction fetched during the current instruction execution is discarded, and an NOP is executed instead, making this a 2 cycle instruction.
 Words: 1
 Cycles: 1(2)
 Example: HERE BTFSC FLAG, 1
 FALSE GOTO PROCESS_CODE
 TRUE

Before Instruction
 PC = address (HERE)

After Instruction
 if FLAG = 0,
 PC = address (TRUE);
 if FLAG = 1,
 PC = address (FALSE)

BTFSS Bit Test f, Skip if Set

Syntax: [*label*] BTFSS f,b
 Operands: $0 \leq f \leq 31$
 $0 \leq b < 7$
 Operation: skip if $(f < b) = 1$
 Status Affected: None
 Encoding:

| | | |
|------|------|------|
| 0111 | bbbb | ffff |
|------|------|------|

 Description: If bit 'b' in register 'f' is '1' then the next instruction is skipped.
 If bit 'b' is '1', then the next instruction fetched during the current instruction execution, is discarded and an NOP is executed instead, making this a 2 cycle instruction.
 Words: 1
 Cycles: 1(2)
 Example: HERE BTFSS FLAG, 1
 FALSE GOTO PROCESS_CODE
 TRUE

Before Instruction
 PC = address (HERE)

After Instruction
 if FLAG = 0,
 PC = address (FALSE);
 if FLAG = 1,
 PC = address (TRUE)

CALL Subroutine Call

Syntax: [*label*] CALL *k*

Operands: $0 \leq k \leq 255$

Operation: (PC) + 1 → Top of Stack;
k → PC<7:0>;
 (STATUS<6:5>) → PC<10:9>;
 0 → PC<8>

Status Affected: None

Encoding:

| | | |
|------|------|------|
| 1001 | kkkk | kkkk |
|------|------|------|

Description: Subroutine call. First, return address (PC+1) is pushed onto the stack. The eight bit immediate address is loaded into PC bits <7:0>. The upper bits PC<10:9> are loaded from STATUS<6:5>, PC<8> is cleared. CALL is a two cycle instruction.

Words: 1

Cycles: 2

Example: HERE CALL THERE

Before Instruction
 PC = address (HERE)

After Instruction
 PC = address (THERE)
 TOS = address (HERE + 1)

CLRF Clear f

Syntax: [*label*] CLRF *f*

Operands: $0 \leq f \leq 31$

Operation: 00h → (f);
 1 → Z

Status Affected: Z

Encoding:

| | | |
|------|------|------|
| 0000 | 011f | ffff |
|------|------|------|

Description: The contents of register 'f' are cleared and the Z bit is set.

Words: 1

Cycles: 1

Example: CLRF FLAG_REG

Before Instruction
 FLAG_REG = 0x5A

After Instruction
 FLAG_REG = 0x00
 Z = 1

CLRW Clear W

Syntax: [*label*] CLRW

Operands: None

Operation: 00h → (W);
 1 → Z

Status Affected: Z

Encoding:

| | | |
|------|------|------|
| 0000 | 0100 | 0000 |
|------|------|------|

Description: The W register is cleared. Zero bit (Z) is set.

Words: 1

Cycles: 1

Example: CLRW

Before Instruction
 W = 0x5A

After Instruction
 W = 0x00
 Z = 1

CLRWDTClear Watchdog Timer

Syntax: [*label*] CLRWDTClear Watchdog Timer

Operands: None

Operation: 00h → WDT;
 0 → WDT prescaler (if assigned);
 1 → \overline{TO} ;
 1 → \overline{PD}

Status Affected: \overline{TO} , \overline{PD}

Encoding:

| | | |
|------|------|------|
| 0000 | 0000 | 0100 |
|------|------|------|

Description: The CLRWDTClear Watchdog Timer instruction resets the WDT. It also resets the prescaler, if the prescaler is assigned to the WDT and not Timer0. Status bits \overline{TO} and \overline{PD} are set.

Words: 1

Cycles: 1

Example: CLRWDTClear Watchdog Timer

Before Instruction
 WDT counter = ?

After Instruction
 WDT counter = 0x00
 WDT prescale = 0
 \overline{TO} = 1
 \overline{PD} = 1

PIC16C5X

COMF Complement f

Syntax: [*label*] COMF f,d
Operands: $0 \leq f \leq 31$
 $d \in [0,1]$
Operation: $(\bar{f}) \rightarrow (\text{dest})$
Status Affected: Z
Encoding:

| | | |
|------|------|------|
| 0010 | 01df | ffff |
|------|------|------|

Description: The contents of register 'f' are complemented. If 'd' is 0 the result is stored in the W register. If 'd' is 1 the result is stored back in register 'f'.
Words: 1
Cycles: 1
Example: COMF REG1, 0

```

Before Instruction
REG1 = 0x13
After Instruction
REG1 = 0x13
W    = 0xEC
    
```

DECF Decrement f

Syntax: [*label*] DECF f,d
Operands: $0 \leq f \leq 31$
 $d \in [0,1]$
Operation: $(f) - 1 \rightarrow (\text{dest})$
Status Affected: Z
Encoding:

| | | |
|------|------|------|
| 0000 | 11df | ffff |
|------|------|------|

Description: Decrement register 'f'. If 'd' is 0 the result is stored in the W register. If 'd' is 1 the result is stored back in register 'f'.
Words: 1
Cycles: 1
Example: DECF CNT, 1

```

Before Instruction
CNT  = 0x01
Z    = 0
After Instruction
CNT  = 0x00
Z    = 1
    
```

DECFSZ Decrement f, Skip if 0

Syntax: [*label*] DECFSZ f,d
Operands: $0 \leq f \leq 31$
 $d \in [0,1]$
Operation: $(f) - 1 \rightarrow d$; skip if result = 0
Status Affected: None
Encoding:

| | | |
|------|------|------|
| 0010 | 11df | ffff |
|------|------|------|

Description: The contents of register 'f' are decremented. If 'd' is 0 the result is placed in the W register. If 'd' is 1 the result is placed back in register 'f'.
 If the result is 0, the next instruction, which is already fetched, is discarded and an NOP is executed instead making it a two cycle instruction.

Words: 1
Cycles: 1(2)
Example:

```

HERE    DECFSZ  CNT, 1
        GOTO    LOOP
CONTINUE .
        .
        .
    
```

```

Before Instruction
PC = address (HERE)
After Instruction
CNT = CNT - 1;
if CNT = 0,
PC = address (CONTINUE);
if CNT ≠ 0,
PC = address (HERE+1)
    
```

GOTO Unconditional Branch

Syntax: [*label*] GOTO k
Operands: $0 \leq k \leq 511$
Operation: $k \rightarrow PC<8:0>$;
 $STATUS<6:5> \rightarrow PC<10:9>$
Status Affected: None
Encoding:

| | | |
|------|------|------|
| 101k | kkkk | kkkk |
|------|------|------|

Description: GOTO is an unconditional branch. The 9-bit immediate value is loaded into PC bits <8:0>. The upper bits of PC are loaded from STATUS<6:5>. GOTO is a two cycle instruction.
Words: 1
Cycles: 2
Example: GOTO THERE

```

After Instruction
PC = address (THERE)
    
```

INCF Increment f

Syntax: [*label*] INCF f,d

Operands: $0 \leq f \leq 31$
 $d \in [0,1]$

Operation: $(f) + 1 \rightarrow (\text{dest})$

Status Affected: Z

Encoding:

| | | |
|------|------|------|
| 0010 | 10df | ffff |
|------|------|------|

Description: The contents of register 'f' are incremented. If 'd' is 0 the result is placed in the W register. If 'd' is 1 the result is placed back in register 'f'.

Words: 1

Cycles: 1

Example: INCF CNT, 1

Before Instruction
 CNT = 0xFF
 Z = 0

After Instruction
 CNT = 0x00
 Z = 1

INCFSZ Increment f, Skip if 0

Syntax: [*label*] INCFSZ f,d

Operands: $0 \leq f \leq 31$
 $d \in [0,1]$

Operation: $(f) + 1 \rightarrow (\text{dest})$, skip if result = 0

Status Affected: None

Encoding:

| | | |
|------|------|------|
| 0011 | 11df | ffff |
|------|------|------|

Description: The contents of register 'f' are incremented. If 'd' is 0 the result is placed in the W register. If 'd' is 1 the result is placed back in register 'f'.
 If the result is 0, then the next instruction, which is already fetched, is discarded and an NOP is executed instead making it a two cycle instruction.

Words: 1

Cycles: 1(2)

Example: HERE INCFSZ CNT, 1
 GOTO LOOP
 CONTINUE
 .
 .
 .

Before Instruction
 PC = address (HERE)

After Instruction
 CNT = CNT + 1;
 if CNT = 0,
 PC = address (CONTINUE);
 if CNT \neq 0,
 PC = address (HERE + 1)

IORLW Inclusive OR literal with W

Syntax: [*label*] IORLW k

Operands: $0 \leq k \leq 255$

Operation: $(W) .OR. (k) \rightarrow (W)$

Status Affected: Z

Encoding:

| | | |
|------|------|------|
| 1101 | kkkk | kkkk |
|------|------|------|

Description: The contents of the W register are OR'ed with the eight bit literal 'k'. The result is placed in the W register.

Words: 1

Cycles: 1

Example: IORLW 0x35

Before Instruction
 W = 0x9A

After Instruction
 W = 0xBF
 Z = 0

IORWF Inclusive OR W with f

Syntax: [*label*] IORWF f,d

Operands: $0 \leq f \leq 31$
 $d \in [0,1]$

Operation: $(W) .OR. (f) \rightarrow (\text{dest})$

Status Affected: Z

Encoding:

| | | |
|------|------|------|
| 0001 | 00df | ffff |
|------|------|------|

Description: Inclusive OR the W register with register 'f'. If 'd' is 0 the result is placed in the W register. If 'd' is 1 the result is placed back in register 'f'.

Words: 1

Cycles: 1

Example: IORWF RESULT, 0

Before Instruction
 RESULT = 0x13
 W = 0x91

After Instruction
 RESULT = 0x13
 W = 0x93
 Z = 0

PIC16C5X

MOVF Move f

Syntax: [*label*] MOVF *f*,*d*

Operands: $0 \leq f \leq 31$
 $d \in [0,1]$

Operation: $(f) \rightarrow (\text{dest})$

Status Affected: Z

Encoding:

| | | |
|------|------|------|
| 0010 | 00df | ffff |
|------|------|------|

Description: The contents of register 'f' is moved to destination 'd'. If 'd' is 0, destination is the W register. If 'd' is 1, the destination is file register 'f'. 'd' is 1 is useful to test a file register since status flag Z is affected.

Words: 1

Cycles: 1

Example: MOVF FSR, 0

After Instruction

W = value in FSR register

MOVLW Move Literal to W

Syntax: [*label*] MOVLW *k*

Operands: $0 \leq k \leq 255$

Operation: $k \rightarrow (W)$

Status Affected: None

Encoding:

| | | |
|------|------|------|
| 1100 | kkkk | kkkk |
|------|------|------|

Description: The eight bit literal 'k' is loaded into the W register. The don't cares will assemble as 0s.

Words: 1

Cycles: 1

Example: MOVLW 0x5A

After Instruction

W = 0x5A

MOVWF Move W to f

Syntax: [*label*] MOVWF *f*

Operands: $0 \leq f \leq 31$

Operation: $(W) \rightarrow (f)$

Status Affected: None

Encoding:

| | | |
|------|------|------|
| 0000 | 001f | ffff |
|------|------|------|

Description: Move data from the W register to register 'f'.

Words: 1

Cycles: 1

Example: MOVWF TEMP_REG

Before Instruction

TEMP_REG = 0xFF

W = 0x4F

After Instruction

TEMP_REG = 0x4F

W = 0x4F

NOP No Operation

Syntax: [*label*] NOP

Operands: None

Operation: No operation

Status Affected: None

Encoding:

| | | |
|------|------|------|
| 0000 | 0000 | 0000 |
|------|------|------|

Description: No operation.

Words: 1

Cycles: 1

Example: NOP

OPTION Load OPTION Register

Syntax: [*label*] OPTION
Operands: None
Operation: (W) → OPTION
Status Affected: None
Encoding:

| | | |
|------|------|------|
| 0000 | 0000 | 0010 |
|------|------|------|

Description: The content of the W register is loaded into the OPTION register.
Words: 1
Cycles: 1
Example OPTION
 Before Instruction
 W = 0x07
 After Instruction
 OPTION = 0x07

RETLW Return with Literal in W

Syntax: [*label*] RETLW *k*
Operands: $0 \leq k \leq 255$
Operation: *k* → (W);
 TOS → PC
Status Affected: None
Encoding:

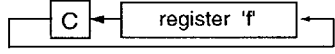
| | | |
|------|------|------|
| 1000 | kkkk | kkkk |
|------|------|------|

Description: The W register is loaded with the eight bit literal 'k'. The program counter is loaded from the top of the stack (the return address). This is a two cycle instruction.
Words: 1
Cycles: 2
Example: CALL TABLE ;W contains
 ;table offset
 ;value.
 ;W now has table
 ;value.
 .
 .
 .
 TABLE ADDWF PC ;W = offset
 RETLW k1 ;Begin table
 RETLW k2 ;
 .
 .
 .
 RETLW kn ; End of table
 Before Instruction
 W = 0x07
 After Instruction
 W = value of k8

RLF Rotate Left f through Carry

Syntax: [*label*] RLF *f*,*d*
Operands: $0 \leq f \leq 31$
 $d \in [0,1]$
Operation: See description below
Status Affected: C
Encoding:

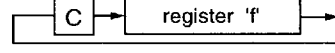
| | | |
|------|------|------|
| 0011 | 01df | ffff |
|------|------|------|

Description: The contents of register 'f' are rotated one bit to the left through the Carry Flag. If 'd' is 0 the result is placed in the W register. If 'd' is 1 the result is stored back in register 'f'.

Words: 1
Cycles: 1
Example: RLF REG1,0
 Before Instruction
 REG1 = 1110 0110
 C = 0
 After Instruction
 REG1 = 1110 0110
 W = 1100 1100
 C = 1

RRF Rotate Right f through Carry

Syntax: [*label*] RRF *f*,*d*
Operands: $0 \leq f \leq 31$
 $d \in [0,1]$
Operation: See description below
Status Affected: C
Encoding:

| | | |
|------|------|------|
| 0011 | 00df | ffff |
|------|------|------|

Description: The contents of register 'f' are rotated one bit to the right through the Carry Flag. If 'd' is 0 the result is placed in the W register. If 'd' is 1 the result is placed back in register 'f'.

Words: 1
Cycles: 1
Example: RRF REG1,0
 Before Instruction
 REG1 = 1110 0110
 C = 0
 After Instruction
 REG1 = 1110 0110
 W = 0111 0011
 C = 0

PIC16C5X

SLEEP **Enter SLEEP Mode**

Syntax: `[label] SLEEP`

Operands: None

Operation: `00h` → WDT;
 `0` → WDT prescaler;
 `1` → \overline{TO} ;
 `0` → \overline{PD}

Status Affected: \overline{TO} , \overline{PD}

Encoding:

| | | |
|------|------|------|
| 0000 | 0000 | 0011 |
|------|------|------|

Description: Time-out status bit (\overline{TO}) is set. The power down status bit (\overline{PD}) is cleared. The WDT and its prescaler are cleared.
 The processor is put into SLEEP mode with the oscillator stopped. See section on SLEEP for more details.

Words: 1

Cycles: 1

Example: SLEEP

SUBWF **Subtract W from f**

Syntax: `[label] SUBWF f,d`

Operands: $0 \leq f \leq 31$
 $d \in [0,1]$

Operation: $(f) - (W) \rightarrow (\text{dest})$

Status Affected: C, DC, Z

Encoding:

| | | |
|------|------|------|
| 0000 | 10df | ffff |
|------|------|------|

Description: Subtract (2's complement method) the W register from register 'f'. If 'd' is 0 the result is stored in the W register. If 'd' is 1 the result is stored back in register 'f'.

Words: 1

Cycles: 1

Example 1: SUBWF REG1, 1

Before Instruction
REG1 = 3
W = 2
C = ?

After Instruction
REG1 = 1
W = 2
C = 1 ; result is positive

Example 2:

Before Instruction
REG1 = 2
W = 2
C = ?

After Instruction
REG1 = 0
W = 2
C = 1 ; result is zero

Example 3:

Before Instruction
REG1 = 1
W = 2
C = ?

After Instruction
REG1 = FF
W = 2
C = 0 ; result is negative

SWAPF Swap Nibbles in f

Syntax: `[label] SWAPF f,d`

Operands: $0 \leq f \leq 31$
 $d \in [0,1]$

Operation: $(f<3:0>) \rightarrow (dest<7:4>);$
 $(f<7:4>) \rightarrow (dest<3:0>)$

Status Affected: None

Encoding:

| | | |
|------|------|------|
| 0011 | 10df | ffff |
|------|------|------|

Description: The upper and lower nibbles of register 'f' are exchanged. If 'd' is 0 the result is placed in W register. If 'd' is 1 the result is placed in register 'f'.

Words: 1

Cycles: 1

Example `SWAPF REG1, 0`

Before Instruction
`REG1 = 0xA5`

After Instruction
`REG1 = 0xA5`
`W = 0x5A`

TRIS Load TRIS Register

Syntax: `[label] TRIS f`

Operands: $f = 5, 6 \text{ or } 7$

Operation: $(W) \rightarrow \text{TRIS register } f$

Status Affected: None

Encoding:

| | | |
|------|------|------|
| 0000 | 0000 | 0fff |
|------|------|------|

Description: TRIS register 'f' ($f = 5, 6, \text{ or } 7$) is loaded with the contents of the W register

Words: 1

Cycles: 1

Example `TRIS PORTA`

Before Instruction
`W = 0xA5`

After Instruction
`TRISA = 0xA5`

XORLW Exclusive OR literal with W

Syntax: `[label] XORLW k`

Operands: $0 \leq k \leq 255$

Operation: $(W) .XOR. k \rightarrow (W)$

Status Affected: Z

Encoding:

| | | |
|------|------|------|
| 1111 | kkkk | kkkk |
|------|------|------|

Description: The contents of the W register are XOR'ed with the eight bit literal 'k'. The result is placed in the W register.

Words: 1

Cycles: 1

Example `XORLW 0xAF`

Before Instruction
`W = 0xB5`

After Instruction
`W = 0x1A`

XORWF Exclusive OR W with f

Syntax: `[label] XORWF f,d`

Operands: $0 \leq f \leq 31$
 $d \in [0,1]$

Operation: $(W) .XOR. (f) \rightarrow (dest)$

Status Affected: Z

Encoding:

| | | |
|------|------|------|
| 0001 | 10df | ffff |
|------|------|------|

Description: Exclusive OR the contents of the W register with register 'f'. If 'd' is 0 the result is stored in the W register. If 'd' is 1 the result is stored back in register 'f'.

Words: 1

Cycles: 1

Example `XORWF REG, 1`

Before Instruction
`REG = 0xAF`
`W = 0xB5`

After Instruction
`REG = 0x1A`
`W = 0xB5`

PIC16C5X

NOTES:

PAGE(S) INTENTIONALLY BLANK

9.0 DEVELOPMENT SUPPORT

9.1 Development Tools

The PIC16/17 microcontrollers are supported with a full range of hardware and software development tools:

- PICMASTER™ Real-Time In-Circuit Emulator
- PRO MATE™ Universal Programmer
- PICSTART™ Low-Cost Prototype Programmer
- PICDEM-1 Low-Cost Demonstration Board
- PICDEM-2 Low-Cost Demonstration Board
- MPASM Assembler
- MPSIM Software Simulator
- C Compiler (MP-C)
- Fuzzy logic development system (*fuzzyTECH*®-MP)

9.2 PICMASTER High Performance Universal In-Circuit Emulator with MPLAB IDE

The PICMASTER Universal In-Circuit Emulator is intended to provide the product development engineer with a complete microcontroller design tool set for all microcontrollers in the PIC16C5X, PIC16CXX and PIC17CXX families. PICMASTER is supplied with the MPLAB™ Integrated Development Environment (IDE), which allows editing, "make" and download, and source debugging from a single environment. A PICMASTER System configuration is shown in Figure 9-1.

Interchangeable target probes allow the system to be easily reconfigured for emulation of different processors. The universal architecture of the PICMASTER allows expansion to support all new PIC16C5X, PIC16CXX and PIC17CXX microcontrollers.

The PICMASTER Emulator System has been designed as a real-time emulation system with advanced features that are generally found on more expensive development tools. The PC compatible 386 (and better) machine platform and the Microsoft® Windows® 3.x environment was chosen to best make these features available to you, the end user.

The PICMASTER Universal Emulator System consists primarily of four major components:

- Host-Interface Card
- Emulator Control Pod
- Target-Specific Emulator Probe
- PC-Host Emulation Control Software

The Windows operating system allows the developer to take full advantage of the many powerful features and functions of the PICMASTER system.

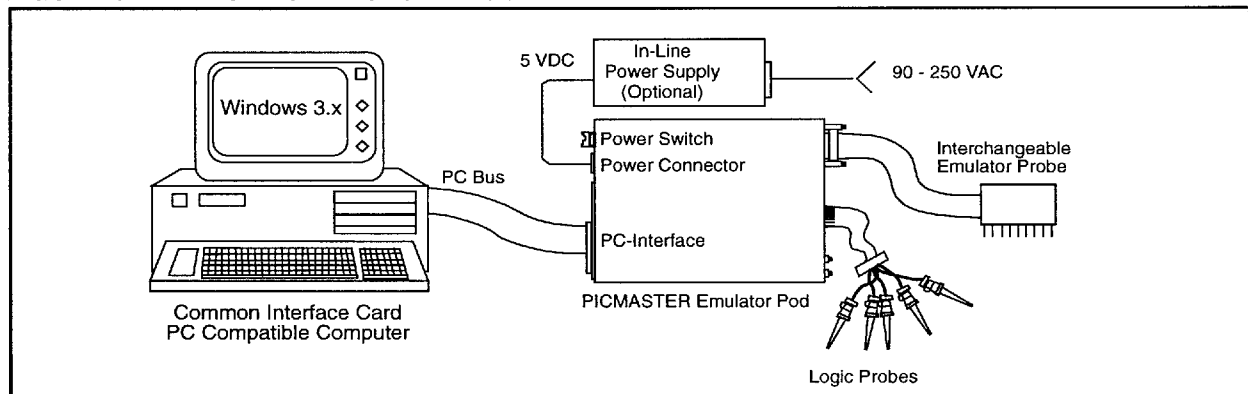
PICMASTER emulation can operate in one window, while a text editor is running in a second window.

PC-Host Emulation Control software takes full advantage of Dynamic Data Exchange (DDE), a feature of Windows. DDE allows data to be dynamically transferred between two or more Windows programs. With this feature, data collected with PICMASTER can be automatically transferred to a spreadsheet or database program for further analysis.

Under Windows, as many as four PICMASTER emulators can be run simultaneously from the same PC making development of multi-microcontroller systems possible (e.g., a system containing a PIC16CXX processor and a PIC17CXX processor).

The PICMASTER probes specifications are shown in Table 9-1.

FIGURE 9-1: PICMASTER SYSTEM CONFIGURATION



PIC16C5X

TABLE 9-1: PICMASTER PROBE SPECIFICATION

| Devices | PICMASTER PROBE | PROBE | |
|------------|--------------------------|-------------------|-------------------|
| | | Maximum Frequency | Operating Voltage |
| PIC16C54 | PROBE-16D | 20 MHz | 4.5V - 5.5V |
| PIC16C54A | PROBE-16D | 20 MHz | 4.5V - 5.5V |
| PIC16CR54 | PROBE-16D | 20 MHz | 4.5V - 5.5V |
| PIC16CR54A | PROBE-16D ⁽¹⁾ | 20 MHz | 4.5V - 5.5V |
| PIC16CR54B | PROBE-16D ⁽¹⁾ | 20 MHz | 4.5V - 5.5V |
| PIC16C55 | PROBE-16D | 20 MHz | 4.5V - 5.5V |
| PIC16CR55 | PROBE-16D ⁽¹⁾ | 20 MHz | 4.5V - 5.5V |
| PIC16C56 | PROBE-16D | 20 MHz | 4.5V - 5.5V |
| PIC16CR56 | PROBE-16D ⁽¹⁾ | 20 MHz | 4.5V - 5.5V |
| PIC16C57 | PROBE-16D | 20 MHz | 4.5V - 5.5V |
| PIC16CR57A | PROBE-16D | 20 MHz | 4.5V - 5.5V |
| PIC16CR57B | PROBE-16D ⁽¹⁾ | 20 MHz | 4.5V - 5.5V |
| PIC16C58A | PROBE-16D | 20 MHz | 4.5V - 5.5V |
| PIC16CR58A | PROBE-16D | 20 MHz | 4.5V - 5.5V |
| PIC16CR58B | PROBE-16D ⁽¹⁾ | 20 MHz | 4.5V - 5.5V |
| PIC16C61 | PROBE-16G | 10 MHz | 4.5V - 5.5V |
| PIC16C62 | PROBE-16E | 10 MHz | 4.5V - 5.5V |
| PIC16C62A | PROBE-16E ⁽¹⁾ | 10 MHz | 4.5V - 5.5V |
| PIC16CR62 | PROBE-16E ⁽¹⁾ | 10 MHz | 4.5V - 5.5V |
| PIC16C63 | PROBE-16F ⁽¹⁾ | 10 MHz | 4.5V - 5.5V |
| PIC16C64 | PROBE-16E | 10 MHz | 4.5V - 5.5V |
| PIC16C64A | PROBE-16E ⁽¹⁾ | 10 MHz | 4.5V - 5.5V |
| PIC16CR64 | PROBE-16E ⁽¹⁾ | 10 MHz | 4.5V - 5.5V |

TABLE 9-1: PICMASTER PROBE SPECIFICATION

| Devices | PICMASTER PROBE | PROBE | |
|-----------|--------------------------|-------------------|-------------------|
| | | Maximum Frequency | Operating Voltage |
| PIC16C65 | PROBE-16F | 10 MHz | 4.5V - 5.5V |
| PIC16C65A | PROBE-16F ⁽¹⁾ | 10 MHz | 4.5V - 5.5V |
| PIC16C620 | PROBE-16H | 10 MHz | 4.5V - 5.5V |
| PIC16C621 | PROBE-16H | 10 MHz | 4.5V - 5.5V |
| PIC16C622 | PROBE-16H | 10 MHz | 4.5V - 5.5V |
| PIC16C70 | PROBE-16B ⁽¹⁾ | 10 MHz | 4.5V - 5.5V |
| PIC16C71 | PROBE-16B | 10 MHz | 4.5V - 5.5V |
| PIC16C71A | PROBE-16B ⁽¹⁾ | 10 MHz | 4.5V - 5.5V |
| PIC16C72 | PROBE-16F ⁽¹⁾ | 10 MHz | 4.5V - 5.5V |
| PIC16C73 | PROBE-16F | 10 MHz | 4.5V - 5.5V |
| PIC16C73A | PROBE-16F ⁽¹⁾ | 10 MHz | 4.5V - 5.5V |
| PIC16C74 | PROBE-16F | 10 MHz | 4.5V - 5.5V |
| PIC16C74A | PROBE-16F ⁽¹⁾ | 10 MHz | 4.5V - 5.5V |
| PIC16C83 | PROBE-16C | 10 MHz | 4.5V - 5.5V |
| PIC16C84 | PROBE-16C | 10 MHz | 4.5V - 5.5V |
| PIC17C42 | PROBE-17B | 20 MHz | 4.5V - 5.5V |
| PIC17C43 | PROBE-17B | 20 MHz | 4.5V - 5.5V |
| PIC17C44 | PROBE-17B | 20 MHz | 4.5V - 5.5V |

Note 1: This PICMASTER probe can be used to functionally emulate the device listed in the previous column. Contact your Microchip sales office for details.

9.3 PRO MATE Universal Programmer

The PRO MATE Universal Programmer is a full-featured programmer capable of operating in stand-alone mode as well as PC-hosted mode.

The PRO MATE has programmable VDD and VPP supplies which allows it to verify programmed memory at VDD min and VDD max for maximum reliability. It has an LCD display for displaying error messages, keys to enter commands and a modular detachable socket assembly to support various package types. In stand-alone mode the PRO MATE can read, verify or program PIC16C5X, PIC16CXX and PIC17CXX devices. It can also set configuration and code-protect bits in this mode.

In PC-hosted mode, the PRO MATE connects to the PC via one of the COM (RS-232) ports. PC based user-interface software makes using the programmer simple and efficient. The user interface is full-screen and menu-based. Full screen display and editing of data, easy selection of bit configuration and part type, easy selection of VDD min, VDD max and VPP levels, load and store to and from disk files (Intel® hex format) are some of the features of the software. Essential commands such as read, verify, program and blank check can be issued from the screen. Additionally, serial programming support is possible where each part is programmed with a different serial number, sequential or random.

The PRO MATE has a modular "programming socket module". Different socket modules are required for different processor types and/or package types.

PRO MATE supports all PIC16C5X, PIC16CXX and PIC17CXX processors.

9.4 PICSTART Low-Cost Development System

The PICSTART programmer is an easy to use, very low-cost prototype programmer. It connects to the PC via one of the COM (RS-232) ports. A PC-based user interface software makes using the programmer simple and efficient. The user interface is full-screen and menu-based. PICSTART is not recommended for production programming.

9.5 PICDEM-1 Low-Cost PIC16/17 Demonstration Board

The PICDEM-1 is a simple board which demonstrates the capabilities of several of Microchip's microcontrollers. The microcontrollers supported are: PIC16C5X (PIC16C54 to PIC16C58A), PIC16C61, PIC16C62X, PIC16C71, PIC16C8X, PIC17C42, PIC17C43 and PIC17C44. All necessary hardware and software is included to run basic demo programs. The users can program the sample microcontrollers provided with the PICDEM-1 board, on a PRO MATE or PICSTART-16B programmer, and easily test firmware. The user can also connect the PICDEM-1 board to the PICMASTER emulator and download the firmware to the emulator for testing. Additional prototype area is available for the user to build some additional hardware and connect it to the microcontroller socket(s). Some of the features include an RS-232 interface, a potentiometer for simulated analog input, push-button switches and eight LEDs connected to PORTB.

9.6 PICDEM-2 Low-Cost PIC16CXX Demonstration Board

The PICDEM-2 is a simple demonstration board that supports the PIC16C64, PIC16C65, PIC16C73 and PIC16C74 microcontrollers. All the necessary hardware and software is included to run the basic demonstration programs. The user can program the sample microcontrollers provided with the PICDEM-2 board, on a PRO MATE programmer or PICSTART-16C, and easily test firmware. The PICMASTER emulator may also be used with the PICDEM-2 board to test firmware. Additional prototype area has been provided to the user for adding additional hardware and connecting it to the microcontroller socket(s). Some of the features include a RS-232 interface, push-button switches, a potentiometer for simulated analog input, a Serial EEPROM to demonstrate usage of the I²C bus and separate headers for connection to an LCD module and a keypad.

9.7 MPLAB Integrated Development Environment Software

The MPLAB Software brings an ease of software development previously unseen in the 8-bit microcontroller market. MPLAB is a windows based application which contains:

- A full featured editor
- Three operating modes
 - editor
 - emulator
 - simulator (available soon)
- A project manager
- Customizable tool bar and key mapping
- A status bar with project information
- Extensive on-line help

MPLAB allows you to:

- edit your source files (either assembly or "C")
- one touch assemble (or compile) and download to PIC16/17 tools (automatically updates all project information)
- debug using:
 - source files
 - absolute listing file
- transfer data dynamically via DDE (soon to be replaced by OLE)
- run up to four emulators on the same PC

The ability to use MPLAB with Microchip's simulator (available soon) allows a consistent platform and the ability to easily switch from the low cost simulator to the full featured emulator with minimal retraining due to development tools.

9.8 MPASM Assembler

The MPASM Cross Assembler is a PC-hosted symbolic assembler. It supports all microcontroller series including the PIC16C5X, PIC16CXX, and PIC17CXX families.

MPASM offers full featured Macro capabilities, conditional assembly, and several source and listing formats. It generates various object code formats to support Microchip's development tools as well as third party programmers.

MPASM allows full symbolic debugging from the Microchip Universal Emulator System (PICMASTER).

MPASM has the following features to assist in developing software for specific use applications.

- Provides translation of Assembler source code to object code for all Microchip microcontrollers.
- Macro assembly capability
- Produces all the files (Object, Listing, Symbol, and special) required for symbolic debug with Microchip's emulator systems.
- Supports Hex (default), Decimal and Octal source and listing formats.

MPASM provides a rich directive language to support programming of the PIC16/17. Directives are helpful in making the development of your assemble source code shorter and more maintainable.

- **Data Directives** are those that control the allocation of memory and provide a way to refer to data items symbolically (i.e., by meaningful names).
- **Control Directives** control the MPASM listing display. They allow the specification of titles and sub-titles, page ejects and other listing control. This eases the readability of the printed output file.
- **Conditional Directives** permit sections of conditionally assembled code. This is most useful where additional functionality may wished to be added depending on the product (less functionality for the low end product, then for the high end product). Also this is very helpful in the debugging of a program.
- **Macro Directives** control the execution and data allocation within macro body definitions. This makes very simple the re-use of functions in a program as well as between programs.

9.9 MPSIM Software Simulator

The MPSIM Software Simulator allows code development in a PC host environment. It allows the user to simulate the PIC16/17 series microcontrollers on an instruction level. On any given instruction, the user may examine or modify any of the data areas or provide external stimulus to any of the pins. The input/output radix can be set by the user and the execution can be performed in; single step, execute until break, or in a trace mode. MPSIM fully supports symbolic debugging using MP-C and MPASM. The Software Simulator offers the low cost flexibility to develop and debug code outside of the laboratory environment making it an excellent multi-project software development tool.

9.10 MP-C C Compiler

The MP-C Code Development System is a complete 'C' compiler and integrated development environment for Microchip's PIC16/17 family of microcontrollers. The compiler provides powerful integration capabilities and ease of use not found with other compilers.

For easier source level debugging, the compiler provides symbol information that is compatible with the PICMASTER Universal Emulator memory display (PICMASTER emulator software versions 1.13 and later).

The MP-C Code Development System is supplied directly by Byte Craft Limited of Waterloo, Ontario, Canada. If you have any questions, please contact your regional Microchip FAE or Microchip technical support personnel at (602) 786-7627.

9.11 fuzzyTECH-MP Fuzzy Logic Development System

fuzzyTECH-MP fuzzy logic development tool is available in two versions - a low cost introductory version, MP Explorer, for designers to gain a comprehensive working knowledge of fuzzy logic system design; and a full-featured version, fuzzyTECH-MP, edition for implementing more complex systems.

Both versions include Microchip's fuzzyLAB™ demonstration board for hands-on experience with fuzzy logic systems implementation.

9.12 Development Systems

For convenience, the development tools are packaged into comprehensive systems as listed in Table 9-2.

TABLE 9-2: DEVELOPMENT SYSTEM PACKAGES

| Item | Name | System Description |
|------|------------------|---|
| 1. | PICMASTER System | PICMASTER In-Circuit Emulator, PRO MATE Programmer, Assembler, Software Simulator, Samples and your choice of Target Probe. |
| 2. | PICSTART System | PICSTART Low-Cost Prototype Programmer, Assembler, Software Simulator and Samples. |
| 3. | PRO MATE System | PRO MATE Universal Programmer, full featured stand-alone or PC-hosted programmer, Assembler, Simulator |

PIC16C5X

NOTES:

PAGE(S) INTENTIONALLY BLANK

10.0 ELECTRICAL CHARACTERISTICS - PIC16C54/55/56/57**Absolute Maximum Ratings†**

| | |
|---|-----------------------|
| Ambient Temperature under bias | -55°C to +125°C |
| Storage Temperature | -65°C to +150°C |
| Voltage on VDD with respect to VSS | 0V to +7.5V |
| Voltage on $\overline{\text{MCLR}}$ with respect to VSS ⁽²⁾ | 0V to +14V |
| Voltage on all other pins with respect to VSS | -0.6V to (VDD + 0.6V) |
| Total Power Dissipation ⁽¹⁾ | 800 mW |
| Max. Current out of VSS pin | 150 mA |
| Max. Current into VDD pin | 50 mA |
| Max. Current into an input pin (TOCKI only) | ±500 μ A |
| Input Clamp Current, I _{IK} (V _I < 0 or V _I > VDD)..... | ±20 mA |
| Output Clamp Current, I _{OK} (V _O < 0 or V _O > VDD)..... | ±20 mA |
| Max. Output Current sunk by any I/O pin..... | 25 mA |
| Max. Output Current sourced by any I/O pin..... | 20 mA |
| Max. Output Current sourced by a single I/O port (PORTA, B or C)..... | 40 mA |
| Max. Output Current sunk by a single I/O port (PORTA, B or C)..... | 50 mA |

Note 1: Power Dissipation is calculated as follows: $P_{dis} = V_{DD} \times \{I_{DD} - \sum I_{OH}\} + \sum \{(V_{DD} - V_{OH}) \times I_{OH}\} + \sum (V_{OL} \times I_{OL})$

Note 2: Voltage spikes below VSS at the $\overline{\text{MCLR}}$ pin, inducing currents greater than 80 mA, may cause latch-up. Thus, a series resistor of 50 to 100 Ω should be used when applying a "low" level to the $\overline{\text{MCLR}}$ pin rather than pulling this pin directly to VSS

†NOTICE: Stresses above those listed under "Maximum Ratings" may cause permanent damage to the device. This is a stress rating only and functional operation of the device at those or any other conditions above those indicated in the operation listings of this specification is not implied. Exposure to maximum rating conditions for extended periods may affect device reliability.

TABLE 10-1: CROSS REFERENCE OF DEVICE SPECS FOR OSCILLATOR CONFIGURATIONS (RC, XT & 10) AND FREQUENCIES OF OPERATION (COMMERCIAL DEVICES)

| OSC | PIC16C5X-RC | PIC16C5X-XT | PIC16C5X-10 |
|-----|---|---|---|
| RC | VDD: 3.0 V to 6.2 V IDD: 3.3 mA max. at 5. V IPD: 9 μ A max. at 3.0 V, WDT dis Freq: 4 MHz max. | N/A | N/A |
| XT | VDD: 3.0V to 6.25V IDD: 1.8 mA typ. at 5.5V IPD: 0.6 μ A typ. at 3.0V WDT dis Freq: 4 MHz max. | VDD: 3.0V to 6.25V IDD: 3.3 mA max. at 5.5V IPD: 9 μ A max. at 3.0V, WDT dis Freq: 4 MHz max. | N/A |
| HS | VDD: 4.5V to 5.5V IDD: 9.0 mA typ. at 5.5V IPD: 0.6 μ A typ. at 3.0V WDT dis Freq: 20 MHz max. | N/A | VDD: 4.5V to 5.5V IDD: 10 mA max. at 5.5V IPD: 9 μ A max. at 3.0V, WDT dis Freq: 10 MHz max. |
| LP | VDD: 2.5V to 6.25V IDD: 15 μ A typ. at 3.0V IPD: 0.6 μ A typ. at 3.0V, WDT dis Freq: 40 kHz max. | VDD: 2.5V to 6.25V IDD: 15 μ A typ. at 3.0V IPD: 0.6 μ A typ. at 3.0V, WDT dis Freq: 40 kHz max. | VDD: 2.5V to 6.25V IDD: 15 μ A typ. at 3.0V IPD: 0.6 μ A typ. at 3.0V, WDT dis Freq: 40 kHz max. |

The shaded sections indicate oscillator selections which should work by design, but are not tested. It is recommended that the user select the device type from information in unshaded sections.

TABLE 10-2: CROSS REFERENCE OF DEVICE SPECS FOR OSCILLATOR CONFIGURATIONS (HS, LP & JW) AND FREQUENCIES OF OPERATION (COMMERCIAL DEVICES)

| OSC | PIC16C5X-HS | PIC16C5X-LP | PIC16C5X/JW |
|-----|---|---|---|
| RC | N/A | N/A | VDD: 3.0V to 6.25V IDD: 3.3 mA max. at 5.5V IPD: 9 μ A max. at 3.0V, WDT dis Freq: 4 MHz max. |
| XT | N/A | N/A | VDD: 3.0V to 6.25V IDD: 3.3 mA max. at 5.5V IPD: 9 μ A max. at 3.0V, WDT dis Freq: 4 MHz max. |
| HS | VDD: 4.5V to 5.5V IDD: 20 mA max. at 5.5V IPD: 9 μ A max. at 3.0V, WDT dis Freq: 20 MHz max. | N/A | VDD: 4.5V to 5.5V IDD: 20 mA max. at 5.5V IPD: 9 μ A max. at 3.0V, WDT dis Freq: 20 MHz max. |
| LP | VDD: 2.5V to 6.25V IDD: 15 μ A typ. at 3.0V IPD: 0.6 μ A typ. at 3.0V, WDT dis Freq: 40 kHz max. | VDD: 2.5V to 6.25V IDD: 32 μ A max. at 32 kHz, 3.0V IPD: 9 μ A max. at 3.0V, WDT dis Freq: 40 kHz max. | VDD: 2.5V to 6.25V IDD: 32 μ A max. at 32 kHz, 3.0V IPD: 9 μ A max. at 3.0V, WDT dis Freq: 40 kHz max. |

The shaded sections indicate oscillator selections which should work by design, but are not tested. It is recommended that the user select the device type from information in unshaded sections.

10.1 DC Characteristics: PIC16C5X-RC, XT, 10, HS, LP (Commercial)

| DC Characteristics Power Supply Pins | | Standard Operating Conditions (unless otherwise specified) Operating Temperature 0°C ≤ TA ≤ +70°C | | | | |
|---|------|--|---------------------------------------|------------------------------------|----------------------------------|---|
| Characteristic | Sym | Min | Typ ⁽¹⁾ | Max | Units | Conditions |
| Supply Voltage PIC16C5X-RC PIC16C5X-XT PIC16C5X-10 PIC16C5X-HS PIC16C5X-LP | VDD | 3.0 3.0 4.5 4.5 2.5 | | 6.25 6.25 5.5 5.5 6.25 | V V V V V | Fosc = DC to 4 MHz Fosc = DC to 4 MHz Fosc = DC to 10 MHz Fosc = DC to 20 MHz Fosc = DC to 40 kHz |
| RAM Data Retention Voltage⁽²⁾ | VDR | | 1.5* | | V | Device in SLEEP Mode |
| VDD Start Voltage to ensure Power-On Reset | VPOR | | VSS | | V | See Section 7.4 for details on Power-On Reset |
| VDD Rise Rate to ensure Power-On Reset | SVDD | 0.05* | | | V/ms | See Section 7.4 for details on Power-On Reset |
| Supply Current⁽³⁾ PIC16C5X-RC ⁽⁴⁾ PIC16C5X-XT PIC16C5X-10 PIC16C5X-HS PIC16C5X-LP | IDD | | 1.8 1.8 4.8 4.8 9.0 15 | 3.3 3.3 10 10 20 32 | mA mA mA mA mA μA | Fosc = 4 MHz, VDD = 5.5V Fosc = 4 MHz, VDD = 5.5V Fosc = 10 MHz, VDD = 5.5V Fosc = 10 MHz, VDD = 5.5V Fosc = 20 MHz, VDD = 5.5V Fosc = 32 kHz, VDD = 3.0V, WDT disabled |
| Power Down Current⁽⁵⁾ | IPD | | 4.0 0.6 | 12 9 | μA μA | VDD = 3.0V, WDT enabled VDD = 3.0V, WDT disabled |

* These parameters are characterized but not tested.

Note 1: Data in the Typical ("Typ") column is based on characterization results at 25°C. This data is for design guidance only and is not tested.

2: This is the limit to which VDD can be lowered in SLEEP mode without losing RAM data.

3: The supply current is mainly a function of the operating voltage and frequency. Other factors such as bus loading, oscillator type, bus rate, internal code execution pattern, and temperature also have an impact on the current consumption.

a) The test conditions for all IDD measurements in active operation mode are:
OSC1 = external square wave, from rail-to-rail; all I/O pins tristated, pulled to VSS, T0CKI = VDD, MCLR = VDD; WDT enabled/disabled as specified.

b) For standby current measurements, the conditions are the same, except that the device is in SLEEP mode.

4: Does not include current through Rext. The current through the resistor can be estimated by the formula: IR = VDD/2Rext (mA) with Rext in kΩ.

5: The power down current in SLEEP mode does not depend on the oscillator type. Power down current is measured with the part in SLEEP mode, with all I/O pins in hi-impedance state and tied to VDD and VSS.

10.2 DC Characteristics: PIC16C5XI-RC, XT, 10, HS, LP (Industrial)

| DC Characteristics Power Supply Pins | | Standard Operating Conditions (unless otherwise specified) Operating Temperature $-40^{\circ}\text{C} \leq T_A \leq +85^{\circ}\text{C}$ | | | | |
|--|------------------|---|---------------------------------------|------------------------------------|----------------------------------|--|
| Characteristic | Sym | Min | Typ ⁽¹⁾ | Max | Units | Conditions |
| Supply Voltage PIC16C5XI-RC PIC16C5XI-XT PIC16C5XI-10 PIC16C5XI-HS PIC16C5XI-LP | V _{DD} | 3.0 3.0 4.5 4.5 2.5 | | 6.25 6.25 5.5 5.5 6.25 | V V V V V | FOSC = DC to 4 MHz FOSC = DC to 4 MHz FOSC = DC to 10 MHz FOSC = DC to 20 MHz FOSC = DC to 40 kHz |
| RAM Data Retention Voltage⁽²⁾ | V _{DR} | | 1.5* | | V | Device in SLEEP mode |
| V_{DD} Start Voltage to ensure Power-On Reset | V _{POR} | | V _{SS} | | V | See Section 7.4 for details on Power-On Reset |
| V_{DD} Rise Rate to ensure Power-On Reset | SV _{DD} | 0.05* | | | V/ms | See Section 7.4 for details on Power-On Reset |
| Supply Current⁽³⁾ PIC16C5XI-RC ⁽⁴⁾ PIC16C5XI-XT PIC16C5XI-10 PIC16C5XI-HS PIC16C5XI-LP | I _{DD} | | 1.8 1.8 4.8 4.8 9.0 19 | 3.3 3.3 10 10 20 40 | mA mA mA mA mA μA | FOSC = 4 MHz, V _{DD} = 5.5V FOSC = 4 MHz, V _{DD} = 5.5V FOSC = 10 MHz, V _{DD} = 5.5V FOSC = 10 MHz, V _{DD} = 5.5V FOSC = 20 MHz, V _{DD} = 5.5V FOSC = 32 kHz, V _{DD} = 3.0V, WDT disabled |
| Power Down Current⁽⁵⁾ | I _{PD} | | 5.0 0.6 | 14 12 | μA μA | V _{DD} = 3.0V, WDT enabled V _{DD} = 3.0V, WDT disabled |

* These parameters are characterized but not tested.

Note 1: Data in the Typical ("Typ") column is based on characterization results at 25°C. This data is for design guidance only and is not tested.

2: This is the limit to which V_{DD} can be lowered in SLEEP mode without losing RAM data.

3: The supply current is mainly a function of the operating voltage and frequency. Other factors such as bus loading, oscillator type, bus rate, internal code execution pattern, and temperature also have an impact on the current consumption.

a) The test conditions for all I_{DD} measurements in active operation mode are:

OSC1 = external square wave, from rail-to-rail; all I/O pins tristated, pulled to V_{SS}, T_{0CKI} = V_{DD}, M_{CLR} = V_{DD}; WDT enabled/disabled as specified.

b) For standby current measurements, the conditions are the same, except that the device is in SLEEP mode.

4: Does not include current through R_{ext}. The current through the resistor can be estimated by the formula: I_R = V_{DD}/2R_{ext} (mA) with R_{ext} in kΩ.

5: The power down current in SLEEP mode does not depend on the oscillator type. Power down current is measured with the part in SLEEP mode, with all I/O pins in hi-impedance state and tied to V_{DD} and V_{SS}.

10.3 DC Characteristics: PIC16C5XE-RC, XT, 10, HS, LP (Automotive)

| DC Characteristics Power Supply Pins | | Standard Operating Conditions (unless otherwise specified) Operating Temperature $-40^{\circ}\text{C} \leq T_A \leq +125^{\circ}\text{C}$ | | | | |
|--|------------------|--|---------------------------------------|------------------------------------|---|---|
| Characteristic | Sym | Min | Typ ⁽¹⁾ | Max | Units | Conditions |
| Supply Voltage PIC16C5XE-RC PIC16C5XE-XT PIC16C5XE-10 PIC16C5XE-HS PIC16C5XE-LP | V _{DD} | 3.25 3.25 4.5 4.5 2.5 | | 6.0 6.0 5.5 5.5 6.0 | V V V V V | F _{OSC} = DC to 4 MHz F _{OSC} = DC to 4 MHz F _{OSC} = DC to 10 MHz F _{OSC} = DC to 16 MHz F _{OSC} = DC to 40 kHz |
| RAM Data Retention Voltage⁽²⁾ | V _{DR} | | 1.5* | | V | Device in SLEEP mode |
| V_{DD} Start Voltage to ensure Power-On Reset | V _{POR} | | V _{SS} | | V | See Section 7.4 for details on Power-On Reset |
| V_{DD} rise rate to ensure Power-On Reset | SV _{DD} | 0.05* | | | V/ms | See Section 7.4 for details on Power-On Reset |
| Supply Current⁽³⁾ PIC16C5XE-RC ⁽⁴⁾ PIC16C5XE-XT PIC16C5XE-10 PIC16C5XE-HS PIC16C5XE-LP | I _{DD} | | 1.8 1.8 4.8 4.8 9.0 25 | 3.3 3.3 10 10 20 55 | mA mA mA mA mA μA | F _{OSC} = 4 MHz, V _{DD} = 5.5V F _{OSC} = 4 MHz, V _{DD} = 5.5V F _{OSC} = 10 MHz, V _{DD} = 5.5V F _{OSC} = 10 MHz, V _{DD} = 5.5V F _{OSC} = 16 MHz, V _{DD} = 5.5V F _{OSC} = 32 kHz, V _{DD} = 3.25V, WDT disabled |
| Power Down Current⁽⁵⁾ | I _{PD} | | 5.0 0.8 | 22 18 | μA μA | V _{DD} = 3.25V, WDT enabled V _{DD} = 3.25V, WDT disabled |

* These parameters are characterized but not tested.

Note 1: Data in the Typical ("Typ") column is based on characterization results at 25°C. This data is for design guidance only and is not tested.

2: This is the limit to which V_{DD} can be lowered in SLEEP mode without losing RAM data.

3: The supply current is mainly a function of the operating voltage and frequency. Other factors such as bus loading, oscillator type, bus rate, internal code execution pattern, and temperature also have an impact on the current consumption.

a) The test conditions for all I_{DD} measurements in active operation mode are:
OSC1 = external square wave, from rail-to-rail; all I/O pins tristated, pulled to V_{SS}, T_{OCKI} = V_{DD}, $\overline{\text{MCLR}}$ = V_{DD}; WDT enabled/disabled as specified.

b) For standby current measurements, the conditions are the same, except that the device is in SLEEP mode.

4: Does not include current through R_{ext}. The current through the resistor can be estimated by the formula: $I_R = V_{DD}/2R_{ext}$ (mA) with R_{ext} in k Ω .

5: The power down current in SLEEP mode does not depend on the oscillator type. Power down current is measured with the part in SLEEP mode, with all I/O pins in hi-impedance state and tied to V_{DD} and V_{SS}.

10.4 DC Characteristics: PIC16C5X-RC, XT, 10, HS, LP (Commercial)
PIC16C5XI-RC, XT, 10, HS, LP (Industrial)

| DC Characteristics All Pins Except Power Supply Pins | | Standard Operating Conditions (unless otherwise specified) | | | | |
|---|------------------|--|--------------------------|---|---------------------------------|--|
| | | Operating Temperature | | Operating Voltage VDD range is described in Section 10.1, Section 10.2 and Section 10.3. | | |
| Characteristic | Sym | Min | Typ ⁽¹⁾ | Max | Units | Conditions |
| Input Low Voltage I/O ports $\overline{\text{MCLR}}$ (Schmitt Trigger) T0CKI (Schmitt Trigger) OSC1 (Schmitt Trigger) | V _{IL} | V _{SS} V _{SS} V _{SS} V _{SS} | | 0.2 V _{DD} 0.15 V _{DD} 0.15 V _{DD} 0.3 V _{DD} | V V V V | Pin at hi-impedance PIC16C5X-RC only ⁽⁴⁾ PIC16C5X-XT, 10, HS, LP |
| Input High Voltage I/O ports $\overline{\text{MCLR}}$ (Schmitt Trigger) T0CKI (Schmitt Trigger) OSC1 (Schmitt Trigger) | V _{IH} | 0.45 V _{DD} 2.0 0.36 V _{DD} 0.85 V _{DD} 0.85 V _{DD} 0.85 V _{DD} 0.7 V _{DD} | | V _{DD} V _{DD} V _{DD} V _{DD} V _{DD} V _{DD} V _{DD} | V V V V V V V | For all V _{DD} ⁽⁵⁾ 4.0V < V _{DD} ≤ 5.5V ⁽⁵⁾ V _{DD} > 5.5V PIC16C5X-RC only ⁽⁴⁾ PIC16C5X-XT, 10, HS, LP |
| Hysteresis of Schmitt Trigger inputs | V _{HYS} | 0.15V _{DD} * | | | V | |
| Input Leakage Current^(2,3) I/O ports $\overline{\text{MCLR}}$ T0CKI OSC1 | I _{IL} | -1 -5 -3 -3 | 0.5 0.5 0.5 0.5 | +1 +5 +3 +3 | μA μA μA μA | For V_{DD} ≤ 5.5V V _{SS} ≤ V _{PIN} ≤ V _{DD} , Pin at hi-impedance V _{PIN} = V _{SS} + 0.25V V _{PIN} = V _{DD} V _{SS} ≤ V _{PIN} ≤ V _{DD} V _{SS} ≤ V _{PIN} ≤ V _{DD} , PIC16C5X-XT, 10, HS, LP |
| Output Low Voltage I/O ports OSC2/CLKOUT | V _{OL} | | | 0.6 0.6 | V V | I _{OL} = 8.7 mA, V _{DD} = 4.5V I _{OL} = 1.6 mA, V _{DD} = 4.5V, PIC16C5X-RC |
| Output High Voltage I/O ports ⁽³⁾ OSC2/CLKOUT | V _{OH} | V _{DD} - 0.7 V _{DD} - 0.7 | | | V V | I _{OH} = -5.4 mA, V _{DD} = 4.5V I _{OH} = -1.0 mA, V _{DD} = 4.5V, PIC16C5X-RC |

* These parameters are characterized but not tested.

Note 1: Data in the Typical ("Typ") column is based on characterization results at 25°C. This data is for design guidance only and is not tested.

- 2: The leakage current on the $\overline{\text{MCLR}}$ /V_{PP} pin is strongly dependent on the applied voltage level. The specified levels represent normal operating conditions. Higher leakage current may be measured at different input voltage.
- 3: Negative current is defined as coming out of the pin.
- 4: For PIC16C5X-RC devices, the OSC1/CLKIN pin is a Schmitt Trigger input. It is not recommended that the PIC16C5X be driven with external clock in RC mode.
- 5: The user may use the better of the two specifications.

10.5 DC Characteristics: PIC16C5X-RC, XT, 10, HS, LP (Automotive)

| DC Characteristics All Pins Except Power Supply Pins | | Standard Operating Conditions (unless otherwise specified) Operating Temperature $-40^{\circ}\text{C} \leq T_A \leq +125^{\circ}\text{C}$ Operating Voltage V_{DD} range is described in Section 10.1, Section 10.2 and Section 10.3. | | | | |
|---|------|--|--------------------------|--|--|---|
| Characteristic | Sym | Min | Typ ⁽¹⁾ | Max | Units | Conditions |
| Input Low Voltage I/O ports $\overline{\text{MCLR}}$ (Schmitt Trigger) T0CKI (Schmitt Trigger) OSC1 (Schmitt Trigger) | VIL | V_{SS} V_{SS} V_{SS} V_{SS} | | 0.15 V_{DD} 0.15 V_{DD} 0.15 V_{DD} 0.15 V_{DD} 0.3 V_{DD} | V V V V V | Pin at hi-impedance PIC16C5X-RC only ⁽⁴⁾ PIC16C5X-XT, 10, HS, LP |
| Input High Voltage I/O ports $\overline{\text{MCLR}}$ (Schmitt Trigger) T0CKI (Schmitt Trigger) OSC1 (Schmitt Trigger) | VIH | 0.45 V_{DD} 2.0 0.36 V_{DD} 0.85 V_{DD} 0.85 V_{DD} 0.85 V_{DD} 0.7 V_{DD} | | V_{DD} V_{DD} V_{DD} V_{DD} V_{DD} V_{DD} V_{DD} | V V V V V V V | For all V_{DD} ⁽⁵⁾ 4.0V < $V_{DD} \leq 5.5\text{V}$ ⁽⁵⁾ $V_{DD} > 5.5\text{V}$ PIC16C5X-RC only ⁽⁴⁾ PIC16C5X-XT, 10, HS, LP |
| Hysteresis of Schmitt Trigger inputs | VHYS | 0.15 V_{DD} * | | | V | |
| Input Leakage Current ^(2,3) I/O ports $\overline{\text{MCLR}}$ T0CKI OSC1 | IIL | -1 -5 -3 -3 | 0.5 0.5 0.5 0.5 | +1 +5 +3 +3 | μA μA μA μA | For $V_{DD} \leq 5.5\text{V}$ $V_{SS} \leq V_{PIN} \leq V_{DD}$, Pin at hi-impedance $V_{PIN} = V_{SS} + 0.25\text{V}$ $V_{PIN} = V_{DD}$ $V_{SS} \leq V_{PIN} \leq V_{DD}$ $V_{SS} \leq V_{PIN} \leq V_{DD}$, PIC16C5X-XT, 10, HS, LP |
| Output Low Voltage I/O ports OSC2/CLKOUT | VOL | | | 0.6 0.6 | V V | $I_{OL} = 8.7\text{ mA}$, $V_{DD} = 4.5\text{V}$ $I_{OL} = 1.6\text{ mA}$, $V_{DD} = 4.5\text{V}$, PIC16C5X-RC |
| Output High Voltage I/O ports ⁽³⁾ OSC2/CLKOUT | VOH | $V_{DD} - 0.7$ $V_{DD} - 0.7$ | | | V V | $I_{OH} = -5.4\text{ mA}$, $V_{DD} = 4.5\text{V}$ $I_{OH} = -1.0\text{ mA}$, $V_{DD} = 4.5\text{V}$, PIC16C5X-RC |

* These parameters are characterized but not tested.

Note 1: Data in the Typical ("Typ") column is based on characterization results at 25°C. This data is for design guidance only and is not tested.

- 2: The leakage current on the $\overline{\text{MCLR}}/V_{PP}$ pin is strongly dependent on the applied voltage level. The specified levels represent normal operating conditions. Higher leakage current may be measured at different input voltage.
- 3: Negative current is defined as coming out of the pin.
- 4: For PIC16C5X-RC devices, the OSC1/CLKIN pin is a Schmitt Trigger input. It is not recommended that the PIC16C5X be driven with external clock in RC mode.
- 5: The user may use the better of the two specifications.

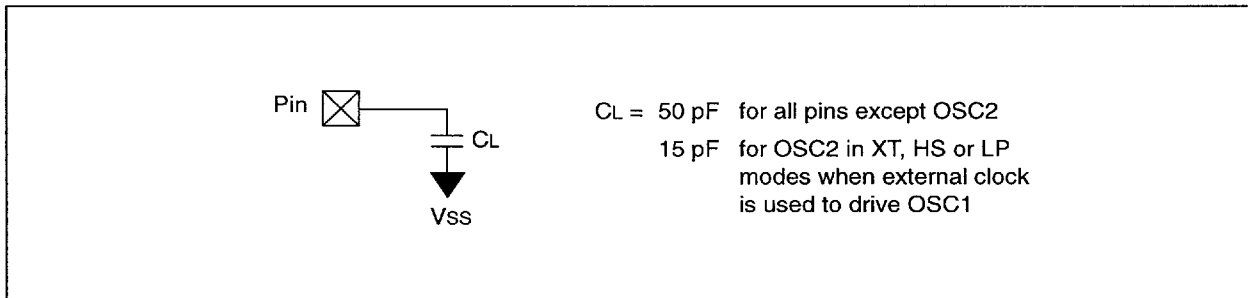
10.6 Timing Parameter Symbology and Load Conditions

The timing parameter symbols have been created following one of the following formats:

1. TppS2ppS
2. TppS

| | |
|--|---|
| T F Frequency | T Time |
| Lowercase subscripts (pp) and their meanings: | |
| pp 2 to ck CLKOUT cy cycle time drt device reset timer io I/O port | mc \overline{MCLR} osc oscillator os OSC1 t0 T0CKI wdt watchdog timer |
| Uppercase letters and their meanings: | |
| S F Fall H High I Invalid (Hi-impedance) L Low | P Period R Rise V Valid Z Hi-impedance |

FIGURE 10-1: LOAD CONDITIONS - PIC16C54/55/56/57



10.7 Timing Diagrams and Specifications

FIGURE 10-2: EXTERNAL CLOCK TIMING - PIC16C54/55/56/57

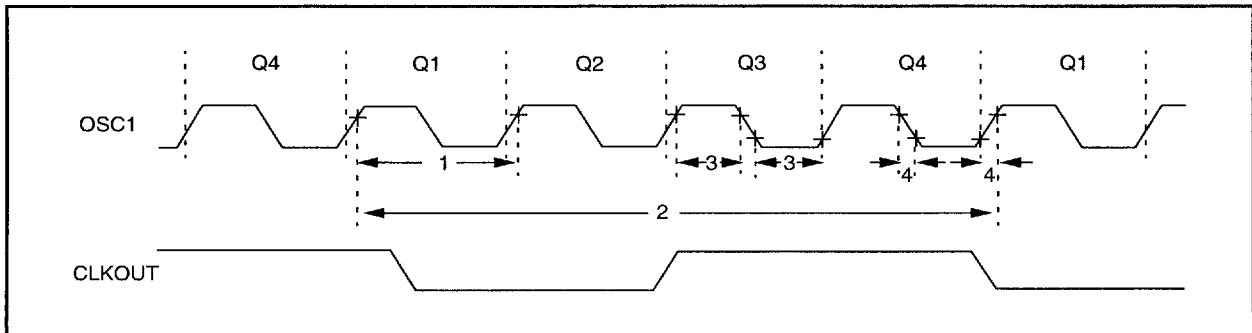


TABLE 10-3: EXTERNAL CLOCK TIMING REQUIREMENTS - PIC16C54/55/56/57

| AC Characteristics | | Standard Operating Conditions (unless otherwise specified) | | | | | |
|--------------------|------|--|-----|--------------------|-----|-------|--------------------------|
| | | Operating Temperature 0°C ≤ TA ≤ +70°C (commercial), -40°C ≤ TA ≤ +85°C (industrial), -40°C ≤ TA ≤ +125°C (automotive) | | | | | |
| | | Operating Voltage VDD range is described in Section 10.1, Section 10.2 and Section 10.3 | | | | | |
| Parameter No. | Sym | Characteristic | Min | Typ ⁽¹⁾ | Max | Units | Conditions |
| | Fosc | External CLKIN Frequency ⁽²⁾ | DC | — | 4 | MHz | RC osc mode |
| | | | DC | — | 4 | MHz | XT osc mode |
| | | | DC | — | 10 | MHz | 10 MHz mode |
| | | | DC | — | 20 | MHz | HS osc mode (Com/Indust) |
| | | | DC | — | 16 | MHz | HS osc mode (Automotive) |
| | | | DC | — | 40 | kHz | LP osc mode |
| | | Oscillator Frequency ⁽²⁾ | DC | — | 4 | MHz | RC osc mode |
| | | | 0.1 | — | 4 | MHz | XT osc mode |
| | | | 4 | — | 10 | MHz | 10 MHz mode |
| | | | 4 | — | 20 | MHz | HS osc mode (Com/Indust) |
| | | | 4 | — | 16 | MHz | HS osc mode (Automotive) |
| | | | DC | — | 40 | kHz | LP osc mode |

* These parameters are characterized but not tested.

Note 1: Data in the Typical ("Typ") column is at 5.0V, 25°C unless otherwise stated. These parameters are for design guidance only and are not tested.

2: All specified values are based on characterization data for that particular oscillator type under standard operating conditions with the device executing code. Exceeding these specified limits may result in an unstable oscillator operation and/or higher than expected current consumption.

When an external clock input is used, the "max" cycle time limit is "DC" (no clock) for all devices.

3: Instruction cycle period (Tcy) equals four times the input oscillator time base period.

TABLE 10-3: EXTERNAL CLOCK TIMING REQUIREMENTS - PIC16C54/55/56/57 (CON'T)

| AC Characteristics | | Standard Operating Conditions (unless otherwise specified) | | | | | |
|--------------------|------------|--|------|--------------------|--------|-------|--------------------------|
| | | Operating Temperature 0°C ≤ TA ≤ +70°C (commercial), -40°C ≤ TA ≤ +85°C (industrial), -40°C ≤ TA ≤ +125°C (automotive) | | | | | |
| | | Operating Voltage VDD range is described in Section 10.1, Section 10.2 and Section 10.3 | | | | | |
| Parameter No. | Sym | Characteristic | Min | Typ ⁽¹⁾ | Max | Units | Conditions |
| 1 | Tosc | External CLKIN Period ⁽²⁾ | 250 | — | — | ns | RC osc mode |
| | | | 250 | — | — | ns | XT osc mode |
| | | | 100 | — | — | ns | 10 MHz mode |
| | | | 50 | — | — | ns | HS osc mode (Com/Indust) |
| | | | 62.5 | — | — | ns | HS osc mode (Automotive) |
| | | | 25 | — | — | μs | LP osc mode |
| | | Oscillator Period ⁽²⁾ | 250 | — | — | ns | RC osc mode |
| | | | 250 | — | 10,000 | ns | XT osc mode |
| | | | 100 | — | 250 | ns | 10 MHz mode |
| | | | 50 | — | 250 | ns | HS osc mode (Com/Indust) |
| | | | 62.5 | — | 250 | ns | HS osc mode (Automotive) |
| | | | 25 | — | — | μs | LP osc mode |
| 2 | Tcy | Instruction Cycle Time ⁽³⁾ | — | 4/Fosc | — | — | |
| 3 | TosL, TosH | Clock in (OSC1) Low or High Time | 50* | — | — | ns | XT oscillator |
| | | | 20* | — | — | ns | HS oscillator |
| | | | 2* | — | — | μs | LP oscillator |
| 4 | TosR, TosF | Clock in (OSC1) Rise or Fall Time | — | — | 25* | ns | XT oscillator |
| | | | — | — | 25* | ns | HS oscillator |
| | | | — | — | 50* | ns | LP oscillator |

* These parameters are characterized but not tested.

Note 1: Data in the Typical ("Typ") column is at 5.0V, 25°C unless otherwise stated. These parameters are for design guidance only and are not tested.

2: All specified values are based on characterization data for that particular oscillator type under standard operating conditions with the device executing code. Exceeding these specified limits may result in an unstable oscillator operation and/or higher than expected current consumption.

When an external clock input is used, the "max" cycle time limit is "DC" (no clock) for all devices.

3: Instruction cycle period (Tcy) equals four times the input oscillator time base period.

FIGURE 10-3: CLKOUT AND I/O TIMING - PIC16C54/55/56/57

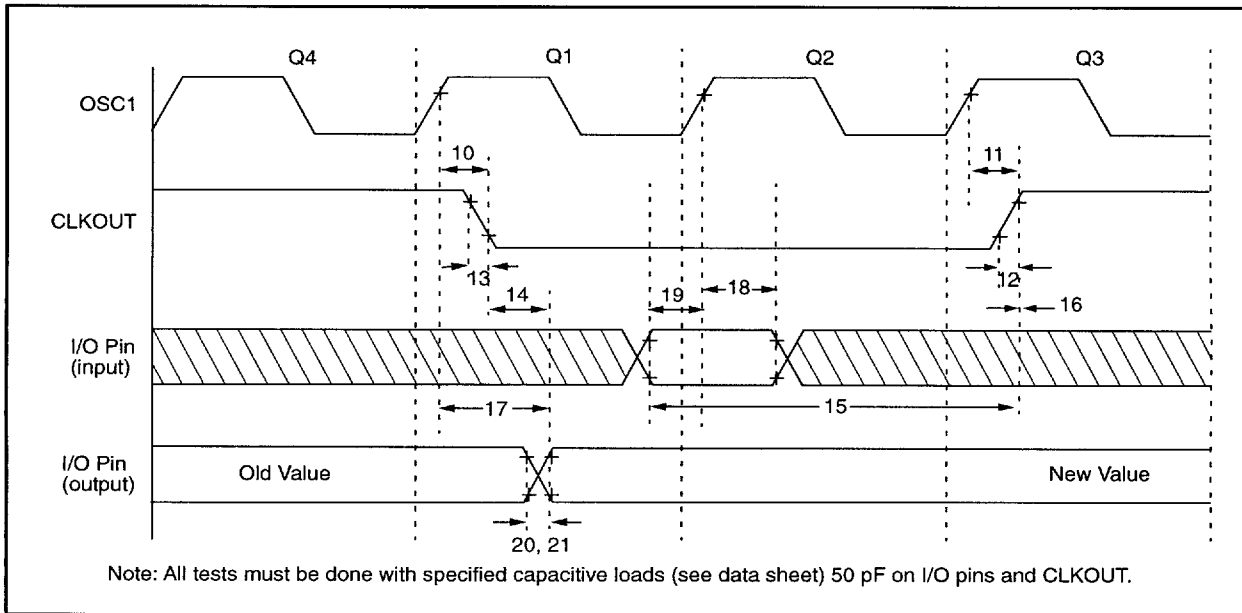


TABLE 10-4: CLKOUT AND I/O TIMING REQUIREMENTS - PIC16C54/55/56/57

| AC Characteristics | | Standard Operating Conditions (unless otherwise specified) | | | | |
|--------------------|----------|---|--------------|--------------------|------|-------|
| | | Operating Temperature $0^{\circ}\text{C} \leq T_A \leq +70^{\circ}\text{C}$ (commercial), $-40^{\circ}\text{C} \leq T_A \leq +85^{\circ}\text{C}$ (industrial), $-40^{\circ}\text{C} \leq T_A \leq +125^{\circ}\text{C}$ (automotive) | | | | |
| | | Operating Voltage V_{DD} range is described in Section 10.1, Section 10.2 and Section 10.3 | | | | |
| Parameter No. | Sym | Characteristic | Min | Typ ⁽¹⁾ | Max | Units |
| 10 | TosH2ckL | OSC1 \uparrow to CLKOUT \downarrow ⁽²⁾ | — | 15 | 30** | ns |
| 11 | TosH2ckH | OSC1 \uparrow to CLKOUT \uparrow ⁽²⁾ | — | 15 | 30** | ns |
| 12 | TckR | CLKOUT rise time ⁽²⁾ | — | 5 | 15** | ns |
| 13 | TckF | CLKOUT fall time ⁽²⁾ | — | 5 | 15** | ns |
| 14 | TckL2ioV | CLKOUT \downarrow to Port out valid ⁽²⁾ | — | — | 40** | ns |
| 15 | TioV2ckH | Port in valid before CLKOUT \uparrow ⁽²⁾ | 0.25 TCY+30* | — | — | ns |
| 16 | TckH2ioI | Port in hold after CLKOUT \uparrow ⁽²⁾ | 0* | — | — | ns |
| 17 | TosH2ioV | OSC1 \uparrow (Q1 cycle) to Port out valid ⁽³⁾ | — | — | 100* | ns |
| 18 | TosH2ioI | OSC1 \uparrow (Q2 cycle) to Port input invalid (I/O in hold time) | TBD | — | — | ns |
| 19 | TioV2osH | Port input valid to OSC1 \uparrow (I/O in setup time) | TBD | — | — | ns |
| 20 | TioR | Port output rise time ⁽³⁾ | — | 10 | 25** | ns |
| 21 | TioF | Port output fall time ⁽³⁾ | — | 10 | 25** | ns |

* These parameters are characterized but not tested.

** These parameters are design targets and are not tested. No characterization data available at this time.

Note 1: Data in the Typical ("Typ") column is at 5.0V, 25°C unless otherwise stated. These parameters are for design guidance only and are not tested.

2: Measurements are taken in RC Mode where CLKOUT output is 4 x Tosc.

3: See Figure 10-1 for loading conditions.

FIGURE 10-4: RESET, WATCHDOG TIMER, AND DEVICE RESET TIMER TIMING - PIC16C54/55/56/57

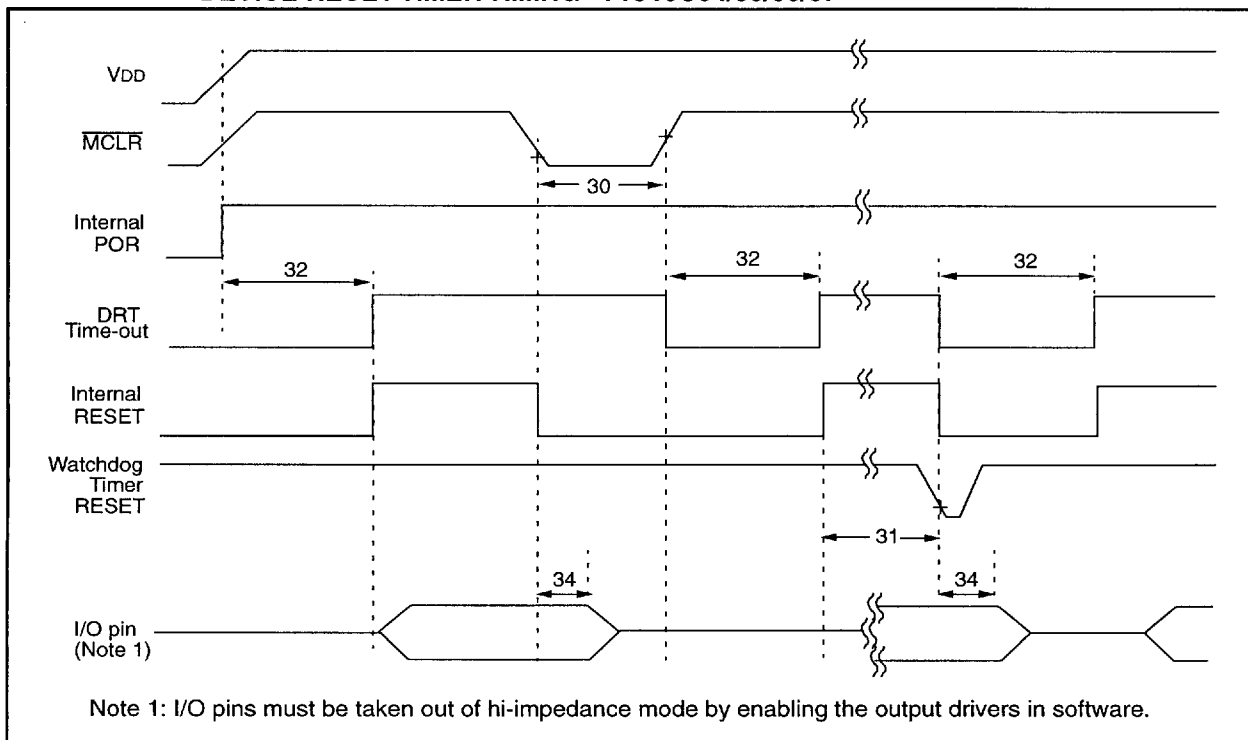


TABLE 10-5: RESET, WATCHDOG TIMER, AND DEVICE RESET TIMER - PIC16C54/55/56/57

| AC Characteristics Standard Operating Conditions (unless otherwise specified) | | | | | | | |
|--|------|---|------|--------------------|------|-------|-------------------------|
| Operating Temperature 0°C ≤ TA ≤ +70°C (commercial), -40°C ≤ TA ≤ +85°C (industrial), -40°C ≤ TA ≤ +125°C (automotive) | | | | | | | |
| Operating Voltage VDD range is described in Section 10.1, Section 10.2 and Section 10.3 | | | | | | | |
| Parameter No. | Sym | Characteristic | Min | Typ ⁽¹⁾ | Max | Units | Conditions |
| 30 | Tmcl | MCLR Pulse Width (low) | 100* | — | — | ns | VDD = 5.0V |
| 31 | Twdt | Watchdog Timer Time-out Period (No Prescaler) | 9* | 18* | 30* | ms | VDD = 5.0V (Commercial) |
| 32 | TDRT | Device Reset Timer Period | 9* | 18* | 30* | ms | VDD = 5.0V (Commercial) |
| 34 | TioZ | I/O Hi-impedance from MCLR Low | — | — | 100* | ns | |

* These parameters are characterized but not tested.

Note 1: Data in the Typical ("Typ") column is at 5.0V, 25°C unless otherwise stated. These parameters are for design guidance only and are not tested.

FIGURE 10-5: TIMER0 CLOCK TIMINGS - PIC16C54/55/56/57

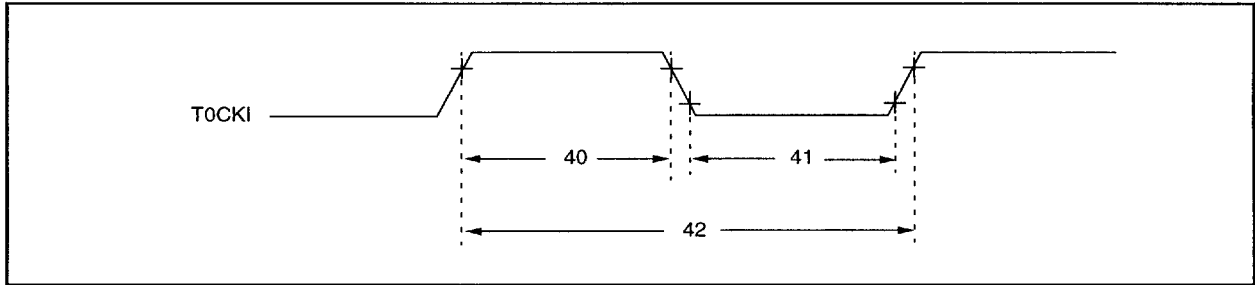


TABLE 10-6: TIMER0 CLOCK REQUIREMENTS - PIC16C54/55/56/57

| AC Characteristics | | Standard Operating Conditions (unless otherwise specified) | | | | | |
|--------------------|------|--|------------------------------|--------------------|-----|-------|--|
| | | Operating Temperature 0°C ≤ TA ≤ +70°C (commercial), -40°C ≤ TA ≤ +85°C (industrial), -40°C ≤ TA ≤ +125°C (automotive) | | | | | |
| | | Operating Voltage VDD range is described in Section 10.1, Section 10.2 and Section 10.3 | | | | | |
| Parameter No. | Sym | Characteristic | Min | Typ ⁽¹⁾ | Max | Units | Conditions |
| 40 | Tt0H | T0CKI High Pulse Width - No Prescaler | 0.5 Tcy + 20* | — | — | ns | |
| | | - With Prescaler | 10* | — | — | ns | |
| 41 | Tt0L | T0CKI Low Pulse Width - No Prescaler | 0.5 Tcy + 20* | — | — | ns | |
| | | - With Prescaler | 10* | — | — | ns | |
| 42 | Tt0P | T0CKI Period | 20 or $\frac{Tcy + 40^*}{N}$ | — | — | ns | Whichever is greater. N = Prescale Value (1, 2, 4, ..., 256) |

* These parameters are characterized but not tested.

Note 1: Data in the Typical ("Typ") column is at 5.0V, 25°C unless otherwise stated. These parameters are for design guidance only and are not tested.

NOTES:

PAGE(S) INTENTIONALLY BLANK

11.0 DC AND AC CHARACTERISTICS - PIC16C54/55/56/57

The graphs and tables provided in this section are for design guidance and are not tested or guaranteed. In some graphs or tables the data presented are outside specified operating range (e.g., outside specified VDD range). This is for information only and devices will operate properly only within the specified range.

The data presented in this section is a statistical summary of data collected on units from different lots over a period of time. "Typical" represents the mean of the distribution while "max" or "min" represents (mean + 3σ) and (mean - 3σ) respectively, where σ is standard deviation.

FIGURE 11-1: TYPICAL RC OSCILLATOR FREQUENCY vs. TEMPERATURE

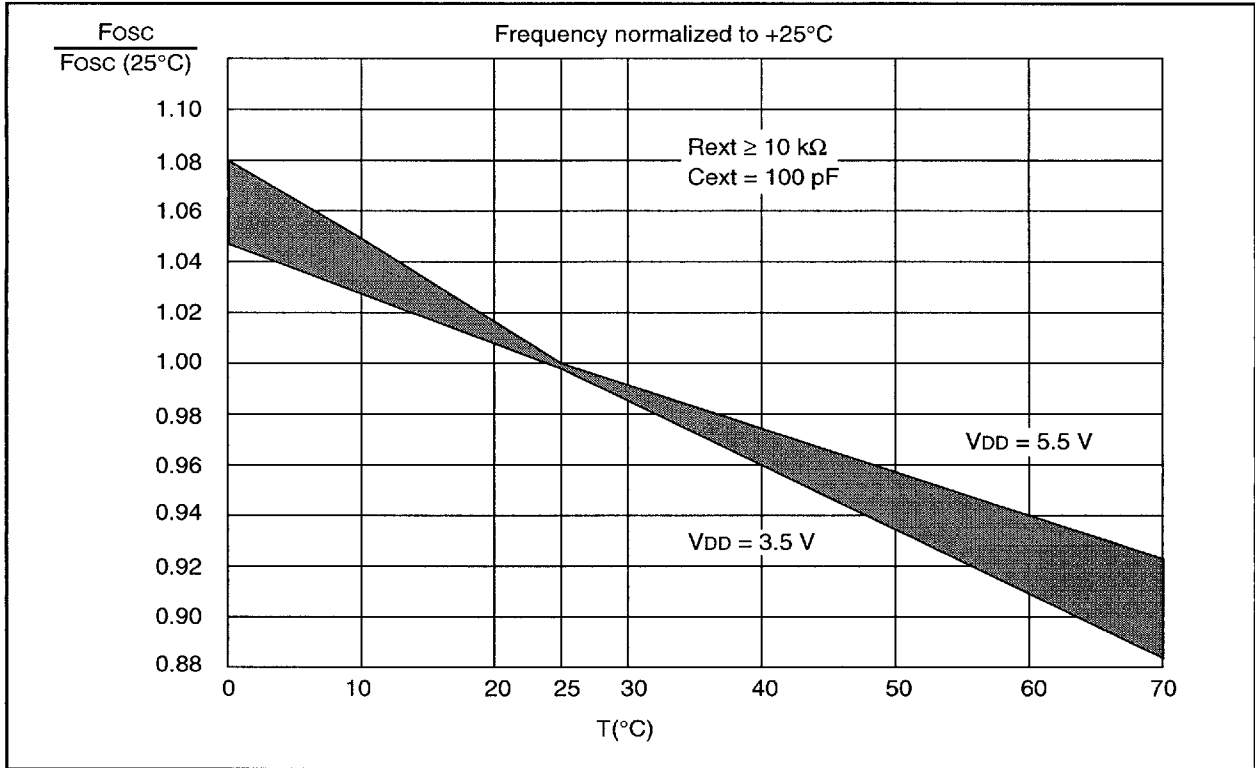


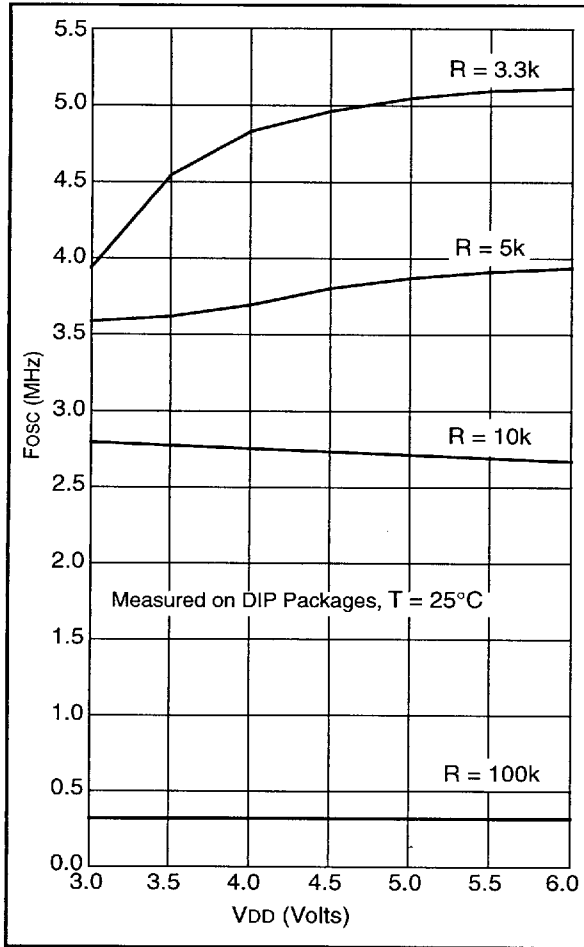
TABLE 11-1: RC OSCILLATOR FREQUENCIES

| Cext | Rext | Average Fosc @ 5 V, 25°C | |
|--------|-------|--------------------------|----------------------|
| | | Frequency | Percentage Variation |
| 20 pF | 3.3 k | 4.973 MHz | ± 27% |
| | 5 k | 3.82 MHz | ± 21% |
| | 10 k | 2.22 MHz | ± 21% |
| | 100 k | 262.15 kHz | ± 31% |
| 100 pF | 3.3 k | 1.63 MHz | ± 13% |
| | 5 k | 1.19 MHz | ± 13% |
| | 10 k | 684.64 kHz | ± 18% |
| | 100 k | 71.56 kHz | ± 25% |
| 300 pF | 3.3 k | 660 kHz | ± 10% |
| | 5.0 k | 484.1 kHz | ± 14% |
| | 10 k | 267.63 kHz | ± 15% |
| | 160 k | 29.44 kHz | ± 19% |

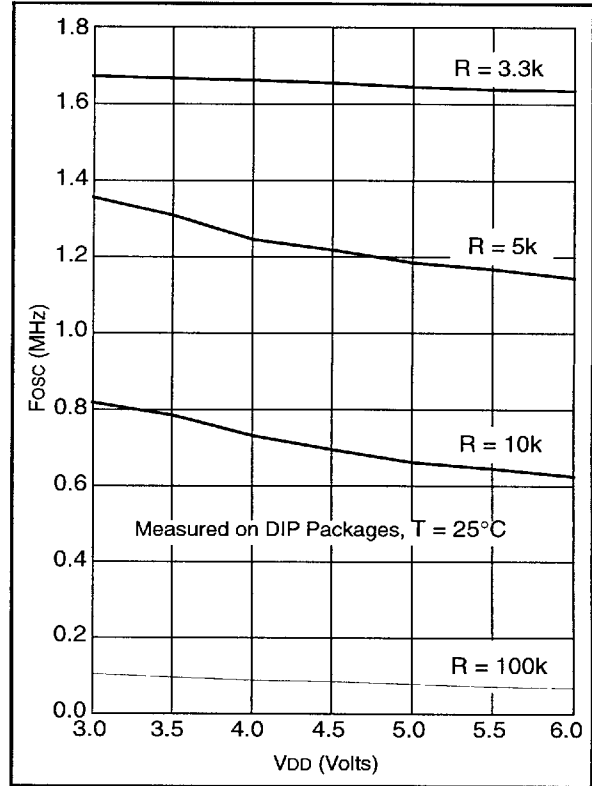
The frequencies are measured on DIP packages.

The percentage variation indicated here is part-to-part variation due to normal process distribution. The variation indicated is ±3 standard deviation from average value for VDD = 5 V.

**FIGURE 11-2: TYPICAL RC OSCILLATOR
FREQUENCY vs. VDD,
C_{EXT} = 20pF**



**FIGURE 11-3: TYPICAL RC OSCILLATOR
FREQUENCY vs. VDD,
C_{EXT} = 100 pF**



**FIGURE 11-4: TYPICAL RC OSCILLATOR
FREQUENCY vs. VDD,
C_{EXT} = 300 pF**

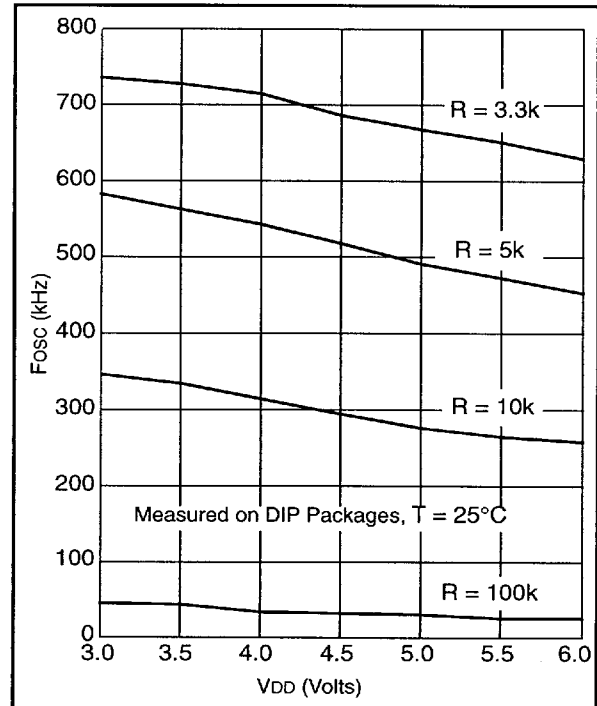


FIGURE 11-5: TYPICAL IPD vs. VDD, WATCHDOG DISABLED

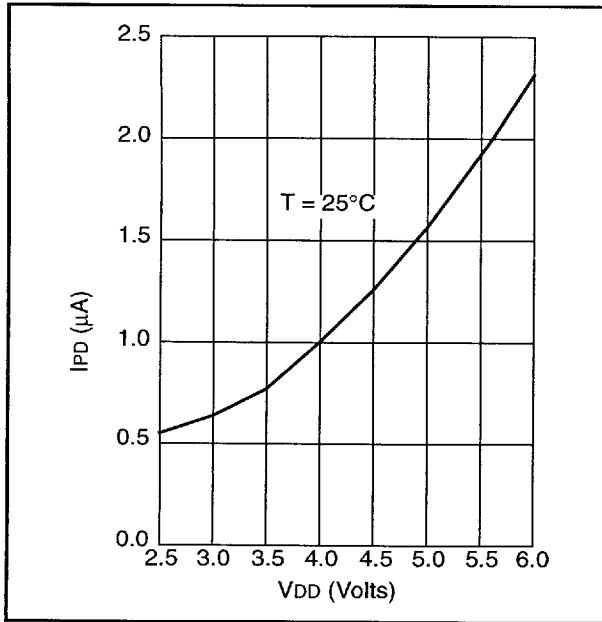


FIGURE 11-7: TYPICAL IPD vs. VDD, WATCHDOG ENABLED

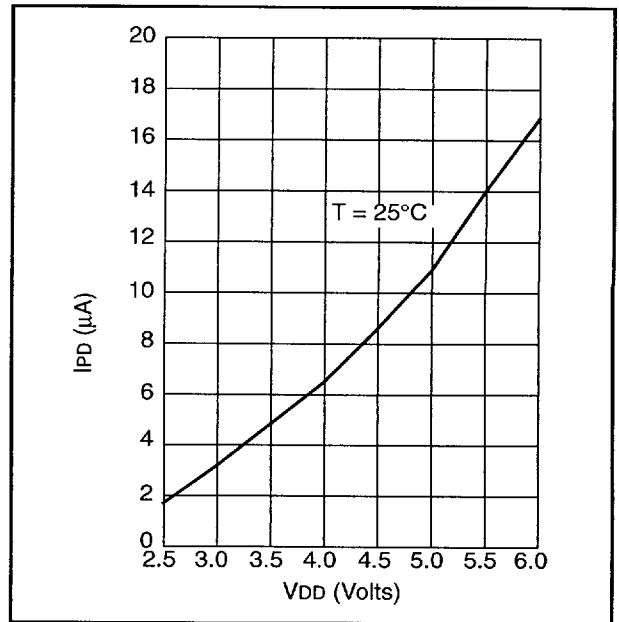


FIGURE 11-6: MAXIMUM IPD vs. VDD, WATCHDOG DISABLED

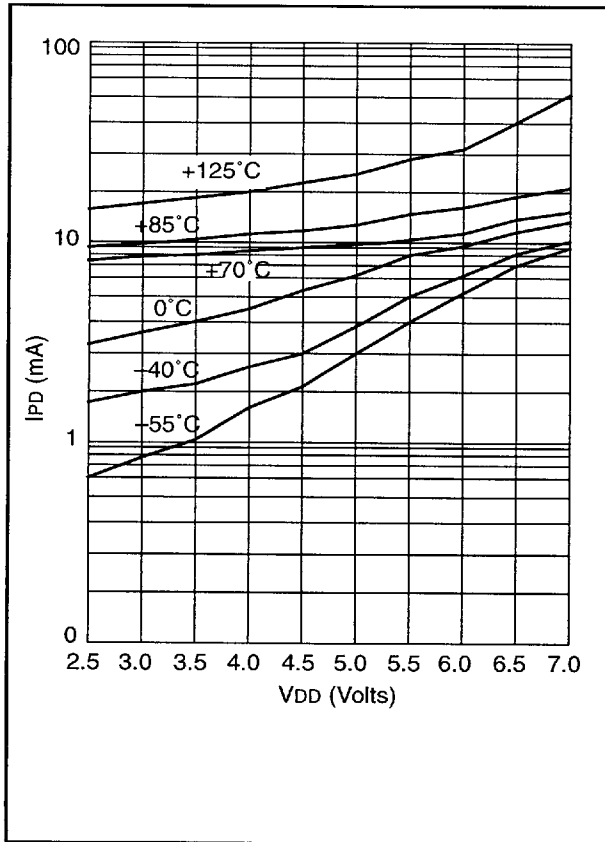


FIGURE 11-8: MAXIMUM IPD vs. VDD, WATCHDOG ENABLED

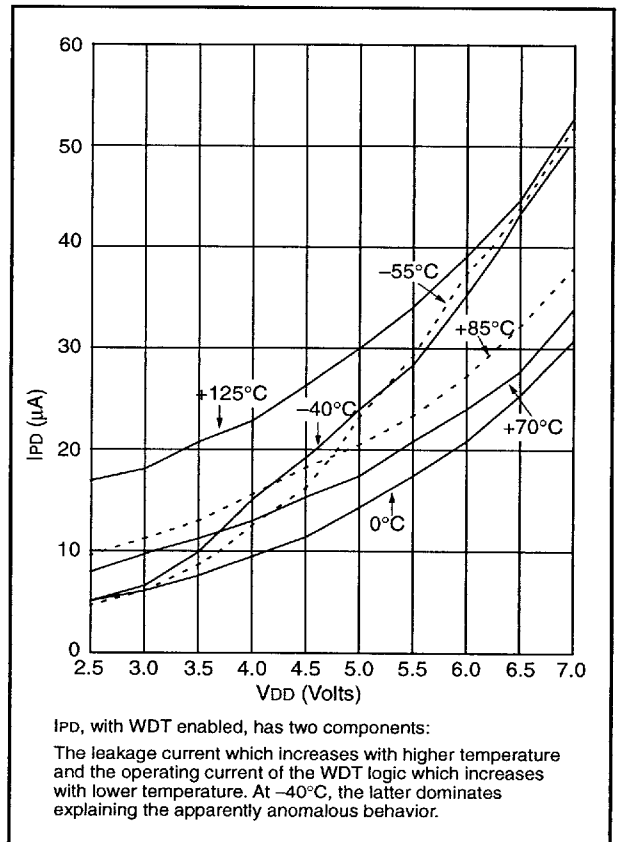


FIGURE 11-9: V_{TH} (INPUT THRESHOLD VOLTAGE) OF I/O PINS vs. V_{DD}

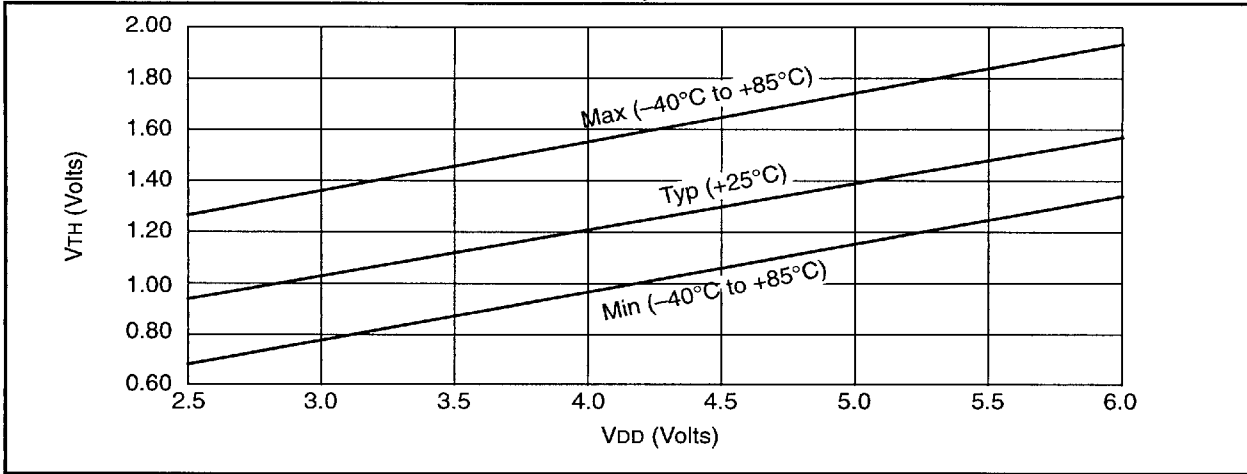


FIGURE 11-10: V_{IH} , V_{IL} OF \overline{MCLR} , $T0CKI$ AND $OSC1$ (IN RC MODE) vs. V_{DD}

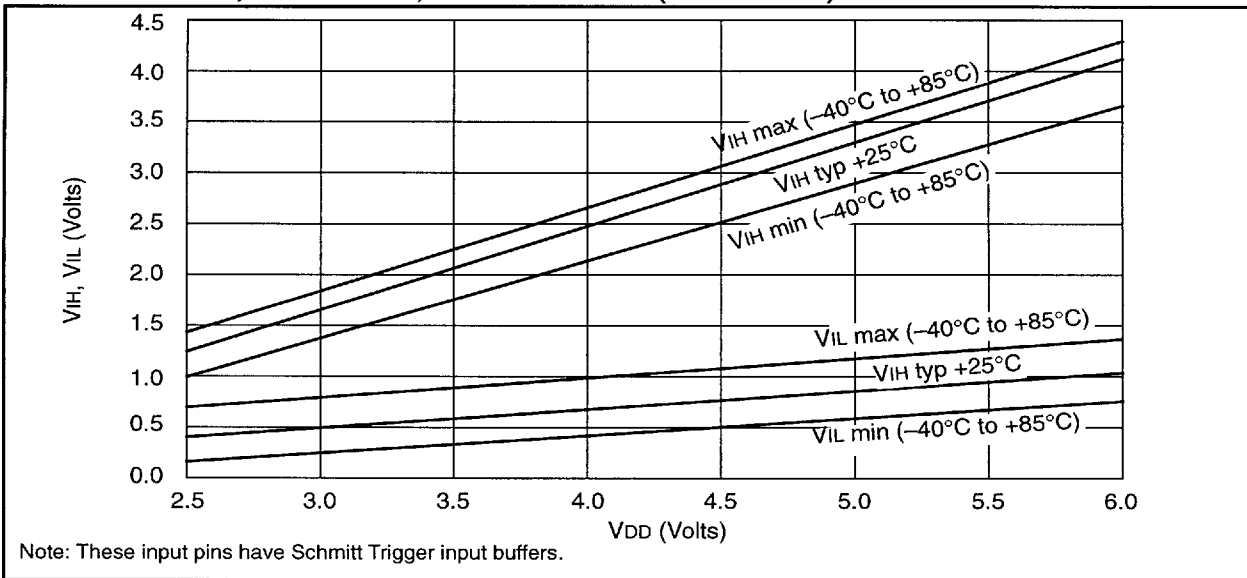


FIGURE 11-11: V_{TH} (INPUT THRESHOLD VOLTAGE) OF $OSC1$ INPUT (IN XT, HS, AND LP MODES) vs. V_{DD}

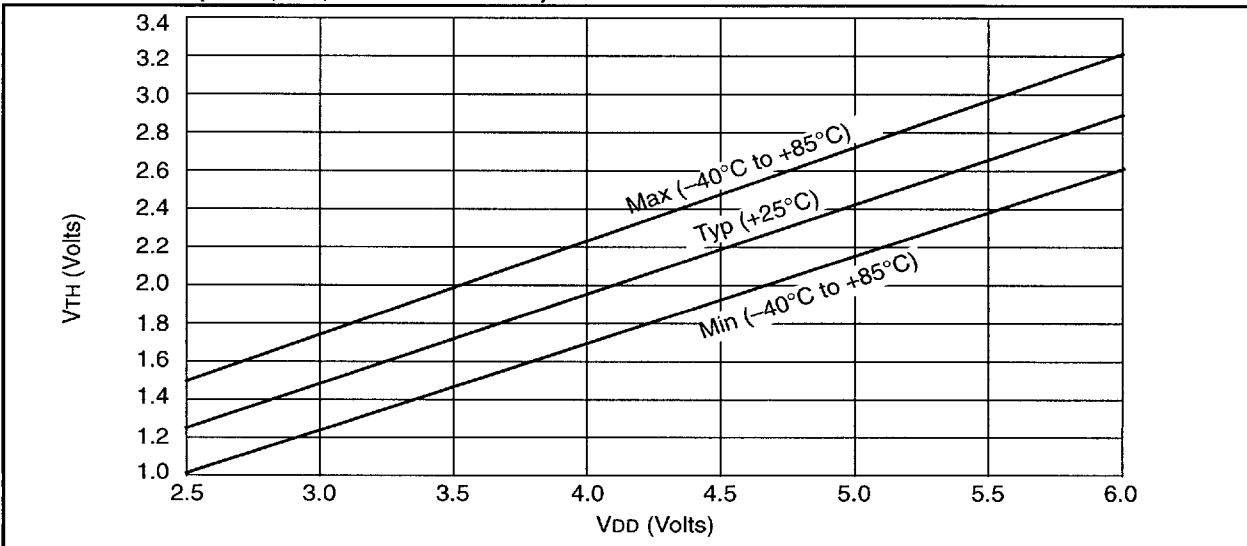


FIGURE 11-12: TYPICAL I_{DD} vs. FREQUENCY (EXTERNAL CLOCK, 25°C)

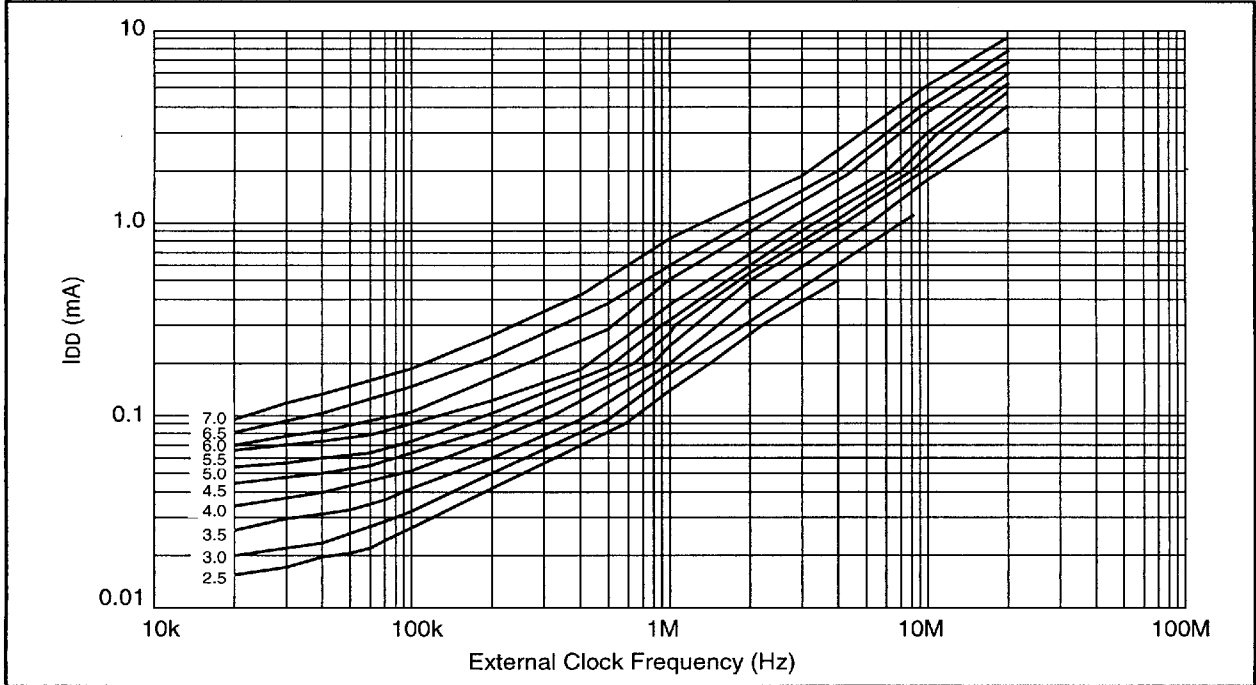


FIGURE 11-13: MAXIMUM I_{DD} vs. FREQUENCY (EXTERNAL CLOCK, -40°C TO +85°C)

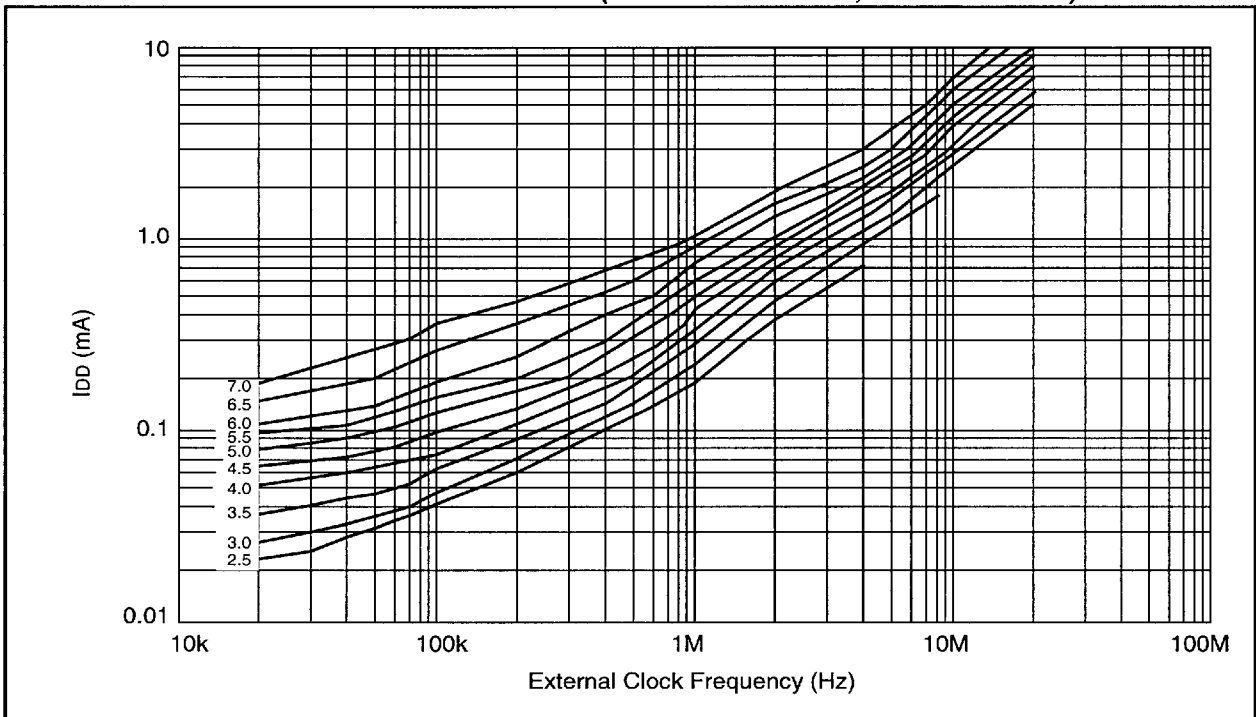


FIGURE 11-14: MAXIMUM I_{DD} vs. FREQUENCY (EXTERNAL CLOCK -55°C TO +125°C)

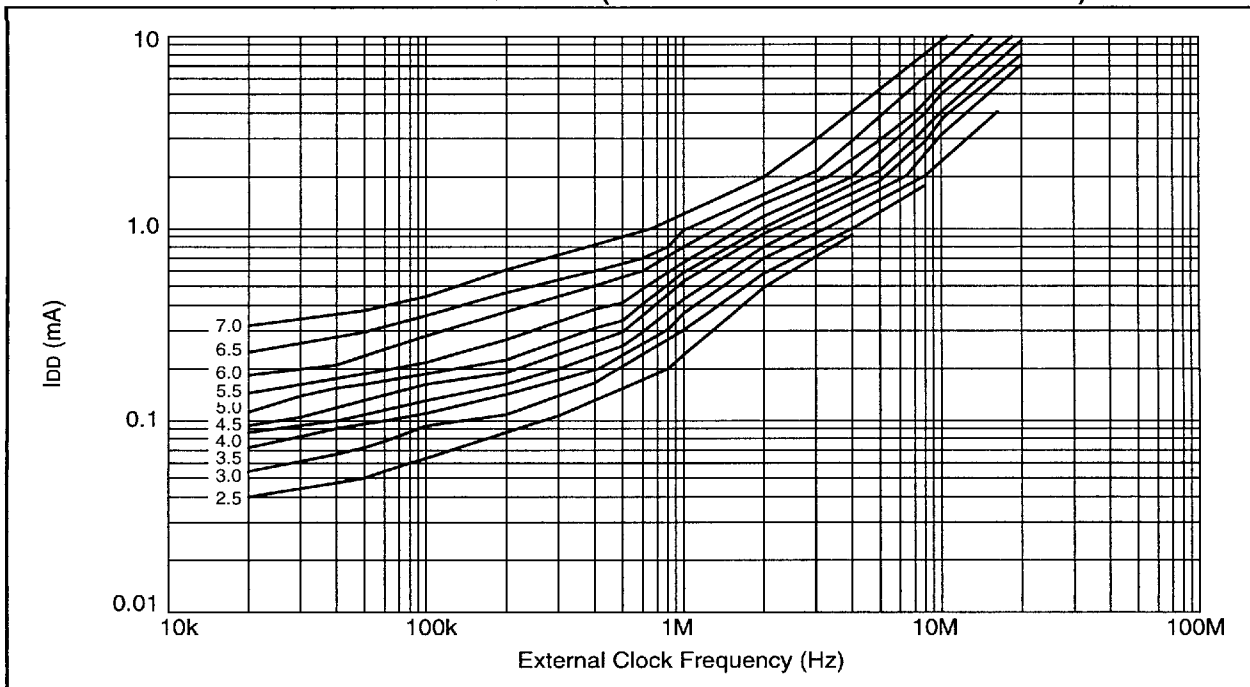


FIGURE 11-15: WDT TIMER TIME-OUT PERIOD vs. V_{DD}

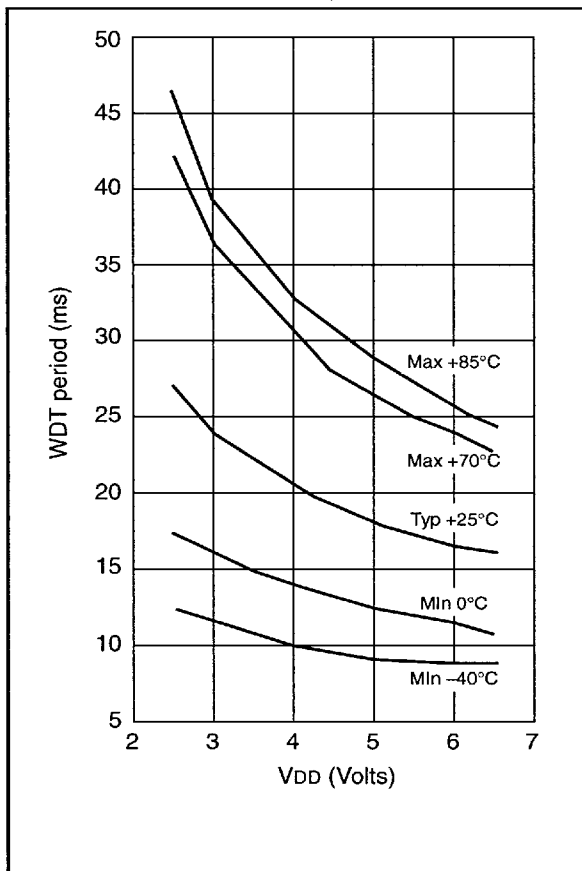


FIGURE 11-16: TRANSCONDUCTANCE (gm) OF HS OSCILLATOR vs. V_{DD}

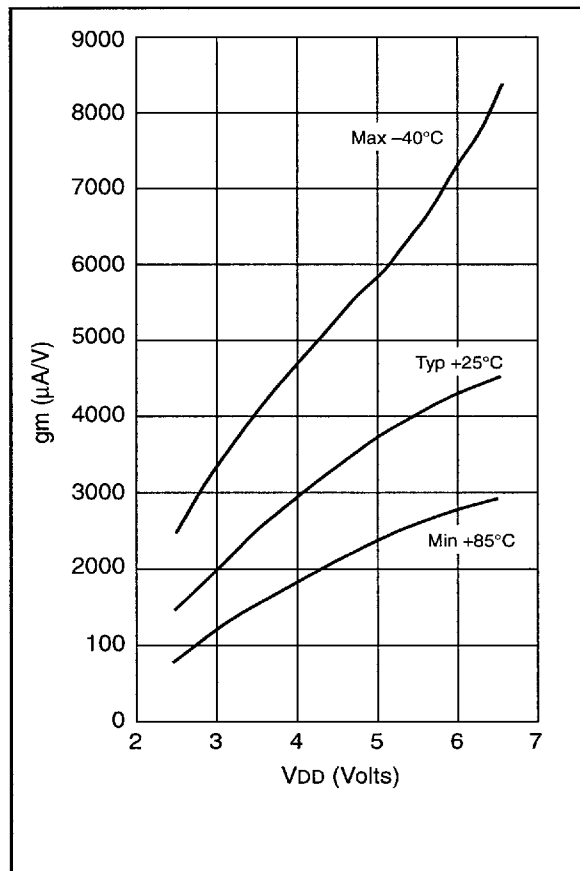


FIGURE 11-17: TRANSCONDUCTANCE (gm) OF LP OSCILLATOR vs. VDD

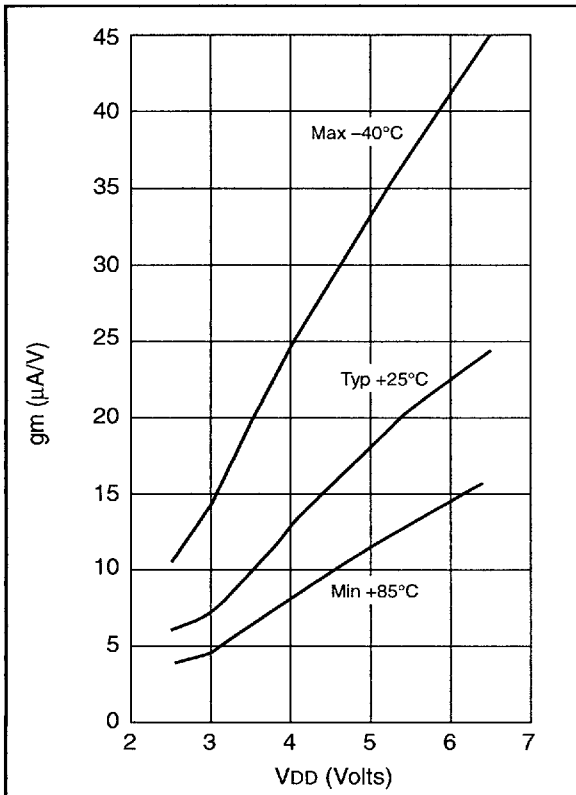


FIGURE 11-19: TRANSCONDUCTANCE (gm) OF XT OSCILLATOR vs. VDD

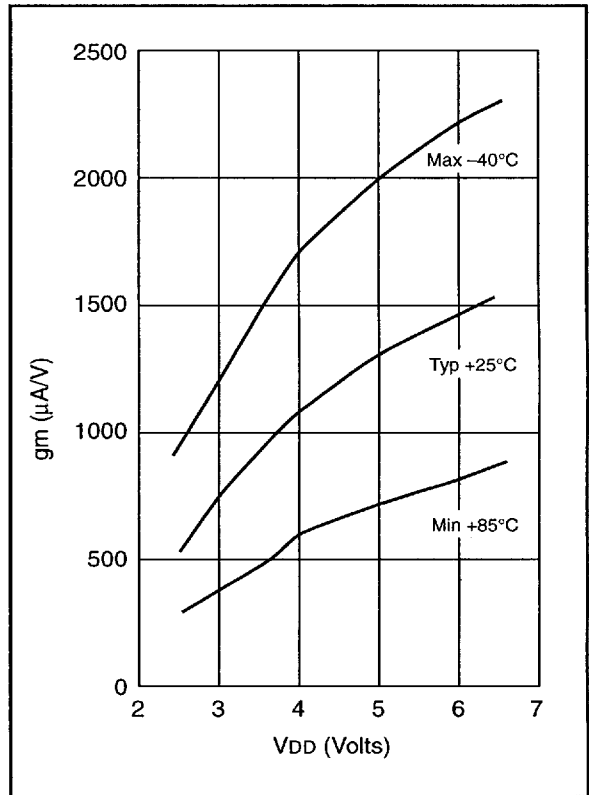


FIGURE 11-18: IOH vs. VOH, VDD = 3 V

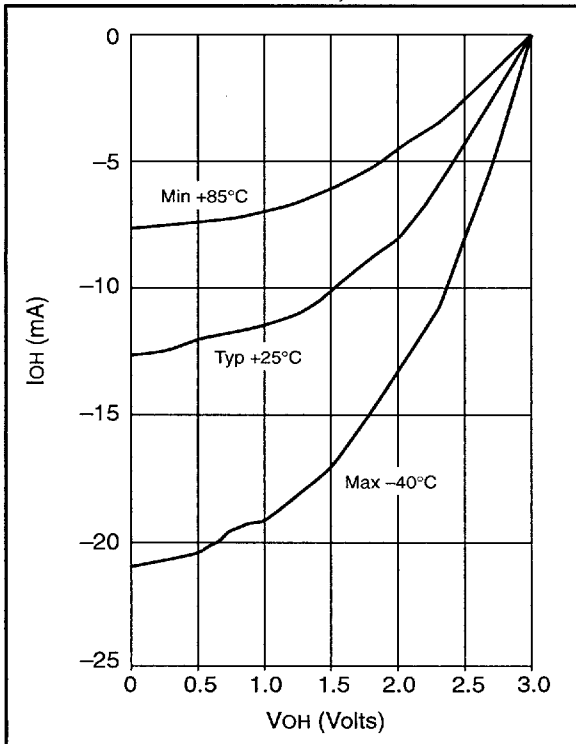


FIGURE 11-20: IOH vs. VOH, VDD = 5 V

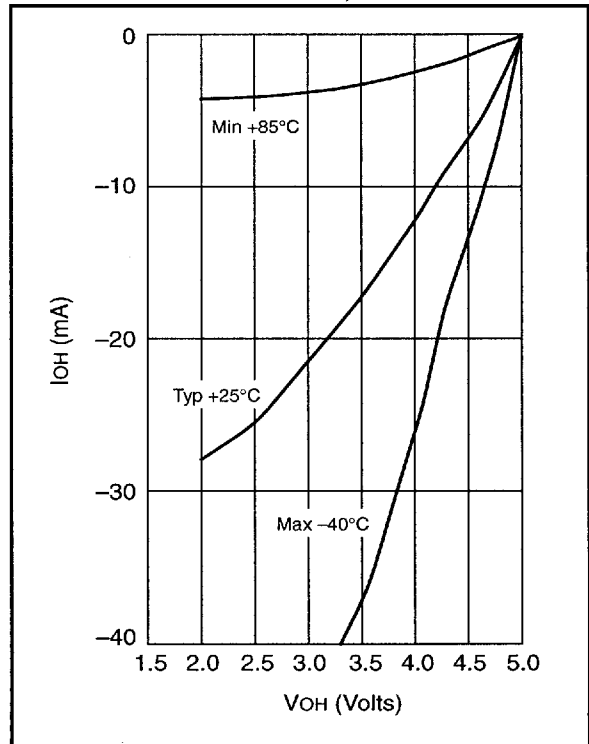


FIGURE 11-21: IOL vs. VOL, VDD = 3 V

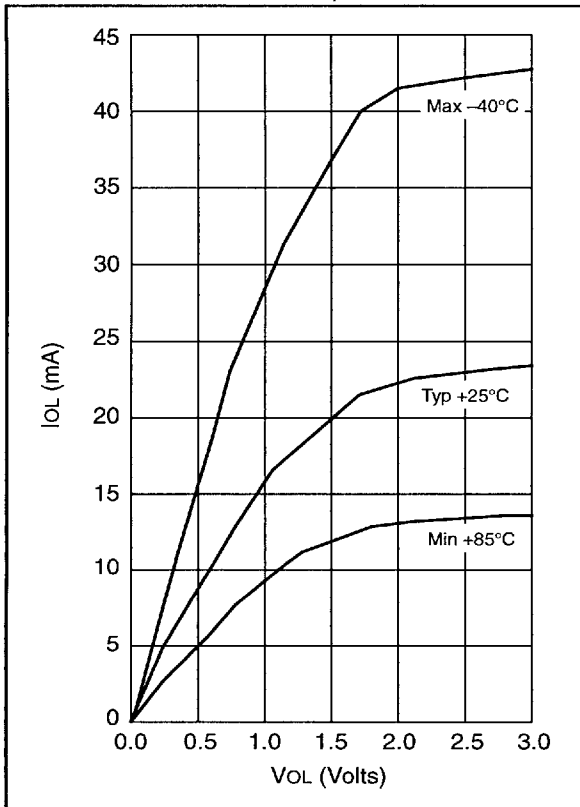


FIGURE 11-22: IOL vs. VOL, VDD = 5 V

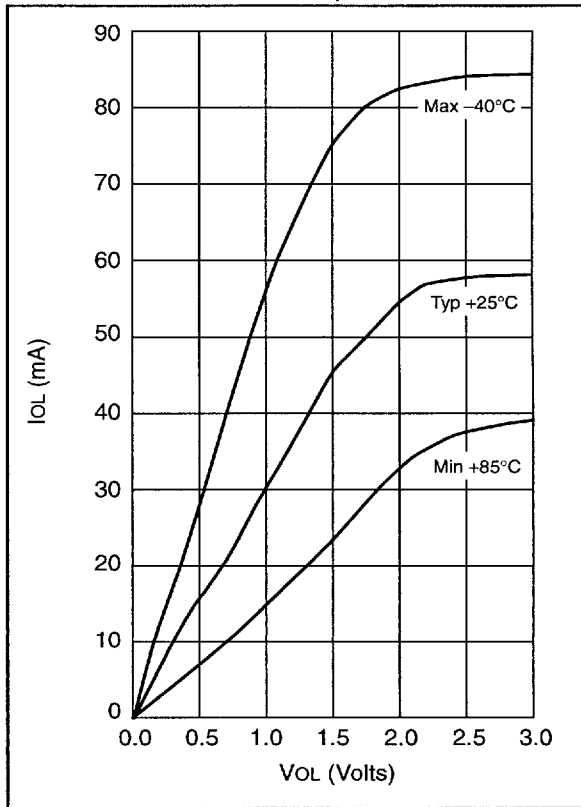


TABLE 11-2: INPUT CAPACITANCE FOR PIC16C54/56

| Pin | Typical Capacitance (pF) | |
|-------------|--------------------------|----------|
| | 18L PDIP | 18L SOIC |
| RA port | 5.0 | 4.3 |
| RB port | 5.0 | 4.3 |
| MCLR | 17.0 | 17.0 |
| OSC1 | 4.0 | 3.5 |
| OSC2/CLKOUT | 4.3 | 3.5 |
| T0CKI | 3.2 | 2.8 |

All capacitance values are typical at 25°C. A part-to-part variation of ±25% (three standard deviations) should be taken into account.

TABLE 11-3: INPUT CAPACITANCE FOR PIC16C55/57

| Pin | Typical Capacitance (pF) | |
|-------------|--------------------------|----------|
| | 28L PDIP (600 mil) | 28L SOIC |
| RA port | 5.2 | 4.8 |
| RB port | 5.6 | 4.7 |
| RC port | 5.0 | 4.1 |
| MCLR | 17.0 | 17.0 |
| OSC1 | 6.6 | 3.5 |
| OSC2/CLKOUT | 4.6 | 3.5 |
| T0CKI | 4.5 | 3.5 |

All capacitance values are typical at 25°C. A part-to-part variation of ±25% (three standard deviations) should be taken into account.

12.0 ELECTRICAL CHARACTERISTICS - PIC16CR54

Absolute Maximum Ratings†

| | |
|---|------------------------|
| Ambient Temperature under bias | -55°C to +125°C |
| Storage Temperature | -65°C to +150°C |
| Voltage on VDD with respect to VSS | 0 to +7.5V |
| Voltage on $\overline{\text{MCLR}}$ with respect to VSS ⁽²⁾ | 0 to +14.0V |
| Voltage on all other pins with respect to VSS | -0.6 V to (VDD + 0.6V) |
| Total Power Dissipation ⁽¹⁾ | 800 mW |
| Max. Current out of Vss pin | 150 mA |
| Max. Current into VDD pin | 50 mA |
| Max. Current into an input pin (TOCKI only) | ±500 µA |
| Input Clamp Current, I _{IK} (V _I < 0 or V _I > V _{DD}) | ±20 mA |
| Output Clamp Current, I _{OK} (V _O < 0 or V _O > V _{DD}) | ±20 mA |
| Max. Output Current sunk by any I/O pin | 25 mA |
| Max. Output Current sourced by any I/O pin | 20 mA |
| Max. Output Current sourced by a single I/O port (PORTA or B) | 40 mA |
| Max. Output Current sunk by a single I/O port (PORTA or B) | 50 mA |

Note 1: Power Dissipation is calculated as follows: $P_{DIS} = V_{DD} \times (I_{DD} + I_{OH}) + \sum \{(V_{DD} - V_{OH}) \times I_{OH}\} + \sum (V_{OL} \times I_{OL})$

Note 2: Voltage spikes below V_{SS} at the $\overline{\text{MCLR}}$ pin, inducing currents greater than 80 mA may cause latch-up. Thus, a series resistor of 50 to 100Ω should be used when applying a low level to the $\overline{\text{MCLR}}$ pin rather than pulling this pin directly to V_{SS}.

†NOTICE: Stresses above those listed under "Maximum Ratings" may cause permanent damage to the device. This is a stress rating only and functional operation of the device at those or any other conditions above those indicated in the operation listings of this specification is not implied. Exposure to maximum rating conditions for extended periods may affect device reliability.

NOT RECOMMENDED FOR NEW DESIGNS

TABLE 12-1: CROSS REFERENCE OF DEVICE SPECS FOR OSCILLATOR CONFIGURATIONS AND FREQUENCIES OF OPERATION (COMMERCIAL DEVICES)

| OSC | PIC16CR54-RC | PIC16CR54-XT | PIC16CR54-10 | PIC16CR54-HS | PIC16CR54-LP |
|-----|--|--|---|---|--|
| RC | VDD: 2.5V to 6.25V IDD: 3.6 mA max at 6.0V IPD: 6 μA max at 2.5V, WDT dis Freq: 4 MHz max | N/A | N/A | N/A | N/A |
| XT | N/A | VDD: 2.5V to 6.25V IDD: 3.6 mA max at 6.0V IPD: 6 μA max at 2.5V, WDT dis Freq: 4 MHz max | N/A | N/A | N/A |
| HS | N/A | N/A | VDD: 4.5V to 5.5V IDD: 10 mA max at 5.5V IPD: 6 μA max at 2.5V, WDT dis Freq: 10 MHz max | VDD: 4.5V to 5.5V IDD: 20 mA max at 5.5V IPD: 6 μA max at 2.5V, WDT dis Freq: 10 MHz max | N/A |
| LP | N/A | N/A | N/A | N/A | VDD: 2.0V to 6.25V IDD: 6 μA max at 32 kHz, 2.0V IPD: 6 μA max at 2.5V, WDT dis Freq: 200 kHz max |

The shaded sections indicate oscillator selections which should work by design, but are not tested. It is recommended that the user select the device type from information in unshaded sections.

NOT RECOMMENDED FOR NEW DESIGNS

12.1 DC Characteristics: PIC16CR54-RC, XT, HS, LP (Commercial)
 PIC16CR54I-RC, XT, HS, LP (Industrial)

| DC Characteristics Power Supply Pins | | Standard Operating Conditions (unless otherwise specified) Operating Temperature 0°C ≤ TA ≤ +70°C (commercial) -40°C ≤ TA ≤ +85°C (industrial) | | | | |
|---|------|--|---|---|--|---|
| Characteristic | Sym | Min | Typ ⁽¹⁾ | Max | Units | Conditions |
| Supply Voltage PIC16CR54-RC PIC16CR54-XT PIC16CR54-10 PIC16CR54-HS PIC16CR54-LP | VDD | 2.5 2.5 4.5 4.5 2.0 | | 6.25 6.25 5.5 5.5 6.25 | V V V V V | Fosc = DC to 4 MHz Fosc = DC to 4 MHz Fosc = DC to 10 MHz Fosc = DC to 20 MHz Fosc = DC to 200 kHz |
| RAM Data Retention Voltage⁽²⁾ | VDR | | 1.5* | | V | Device in SLEEP mode |
| VDD Start Voltage to ensure Power-on Reset | VPOR | | VSS | | V | See Section 7.4 for details on Power-on Reset |
| VDD Rise Rate to ensure Power-on Reset | SVDD | 0.05* | | | V/ms | See Section 7.4 for details on Power-on Reset |
| Supply Current⁽³⁾ PIC16CR54-RC ⁽⁴⁾ , XT PIC16CR54-10 PIC16CR54-HS PIC16CR54-LP | IDD | | 2.0 0.8 90 4.8 4.8 9.0 10.0 | 3.6 1.8 350 10 10 20 20 70 | mA mA µA mA mA mA µA µA | Fosc = 4 MHz, VDD = 6.0V Fosc = 4 MHz, VDD = 3.0V Fosc = 200 kHz, VDD = 2.5V Fosc = 10 MHz, VDD = 5.5V Fosc = 10 MHz, VDD = 5.5V Fosc = 20 MHz, VDD = 5.5V Fosc = 32 kHz, VDD = 2.0V Fosc = 32 kHz, VDD = 6.0V |
| Power-Down Current Commercial⁽⁵⁾ | IPD | | 1 2 3 5 | 6 8* 15 25 | µA µA µA µA | VDD = 2.5V, WDT disabled VDD = 4.0V, WDT disabled VDD = 6.0V, WDT disabled VDD = 6.0V, WDT enabled |
| Power-Down Current Industrial⁽⁵⁾ | IPD | | 1 2 3 3 5 | 8* 10* 20* 18 45 | µA µA µA µA µA | VDD = 2.5V, WDT disabled VDD = 4.0V, WDT disabled VDD = 4.0V, WDT enabled VDD = 6.0V, WDT disabled VDD = 6.0V, WDT enabled |

* These parameters are characterized but not tested.

Note 1: Data in the Typical ("Typ") column is based on characterization results at 25°C. This data is for design guidance only and is not tested.

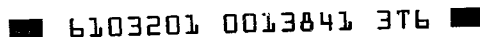
2: This is the limit to which VDD can be lowered in SLEEP mode without losing RAM data.

3: The supply current is mainly a function of the operating voltage and frequency. Other factors such as bus loading, oscillator type, bus rate, internal code execution pattern, and temperature also have an impact on the current consumption.

- a) The test conditions for all IDD measurements in active operation mode are:
 OSC1 = external square wave, from rail-to-rail; all I/O pins tristated, pulled to VSS, TOCKI = VDD, MCLR = VDD; WDT enabled/disabled as specified.
- b) For standby current measurements, the conditions are the same, except that the device is in SLEEP mode.

4: Does not include current through Rext. The current through the resistor can be estimated by the formula: IR = VDD/2Rext (mA) with Rext in kΩ.

5: The power down current in SLEEP mode does not depend on the oscillator type. Power down current is measured with the part in SLEEP mode, with all I/O pins in hi-impedance state and tied to VDD and VSS.



12.2 DC Characteristics: PIC16CR54E-RC, XT, HS, LP (Automotive)

| DC Characteristics Power Supply Pins | | Standard Operating Conditions (unless otherwise specified) Operating Temperature $-40^{\circ}\text{C} \leq T_A \leq +125^{\circ}\text{C}$ | | | | |
|---|------|--|--------------------------------|---------------------------------|---------------------------------------|--|
| Characteristic | Sym | Min | Typ ⁽¹⁾ | Max | Units | Conditions |
| Supply Voltage PIC16CR54E-RC PIC16CR54E-XT PIC16CR54E-10 PIC16CR54E-HS PIC16CR54E-LP | VDD | 3.25 3.25 4.5 4.5 2.5 | | 6.0 6.0 5.5 5.5 6.0 | V V V V V | FOSC = DC to 4 MHz FOSC = DC to 4 MHz FOSC = DC to 10 MHz FOSC = DC to 16 MHz FOSC = DC to 200 kHz |
| RAM Data Retention Voltage⁽²⁾ | VDR | | 1.5* | | V | Device in SLEEP mode |
| VDD Start Voltage to ensure Power-on Reset | VPOR | | VSS | | V | See Section 7.4 for details on Power-on Reset |
| VDD Rise Rate to ensure Power-on Reset | SVDD | 0.05* | | | V/ms | See Section 7.4 for details on Power-on Reset |
| Supply Current⁽³⁾ PIC16CR54E-RC ⁽⁴⁾ PIC16CR54E-XT PIC16CR54E-10 PIC16CR54E-HS PIC16CR54E-LP | IDD | | 1.8 1.8 4.8 4.8 25 | 3.3 3.3 10 10 55 | mA mA mA mA μA | FOSC = 4 MHz, VDD = 5.5V FOSC = 4 MHz, VDD = 5.5V FOSC = 10 MHz, VDD = 5.5V FOSC = 10 MHz, VDD = 5.5V FOSC = 16 MHz, VDD = 5.5V FOSC = 32 kHz, VDD = 3.25V, WDT disabled |
| Power-Down Current⁽⁵⁾ | IPD | | 5 0.8 | 22 18 | μA μA | VDD = 3.25V, WDT enabled VDD = 3.25V, WDT disabled |

* These parameters are characterized but not tested.

Note 1: Data in the Typical ("Typ") column is based on characterization results at 25°C. This data is for design guidance only and is not tested.

2: This is the limit to which VDD can be lowered in SLEEP mode without losing RAM data.

3: The supply current is mainly a function of the operating voltage and frequency. Other factors such as bus loading, oscillator type, bus rate, internal code execution pattern, and temperature also have an impact on the current consumption.

a) The test conditions for all IDD measurements in active operation mode are:

OSC1 = external square wave, from rail-to-rail; all I/O pins tristated, pulled to VSS, T0CKI = VDD, MCLR = VDD; WDT enabled/disabled as specified.

b) For standby current measurements, the conditions are the same, except that the device is in SLEEP mode.

4: Does not include current through Rext. The current through the resistor can be estimated by the formula: $I_R = V_{DD}/2R_{ext}$ (mA) with Rext in kΩ.

5: The power down current in SLEEP mode does not depend on the oscillator type. Power down current is measured with the part in SLEEP mode, with all I/O pins in hi-impedance state and tied to VDD and VSS.

12.3 DC Characteristics: PIC16CR54-RC, XT, HS, LP (Commercial)
PIC16CR54I-RC, XT, HS, LP (Industrial)

| DC Characteristics All Pins Except Power Supply Pins | | Standard Operating Conditions (unless otherwise specified) | | | | |
|---|------|--|--------------------|--|--|---|
| | | Operating Temperature | | | 0°C ≤ TA ≤ +70°C (commercial) -40°C ≤ TA ≤ +85°C (industrial) | |
| | | Operating Voltage VDD range is described in Section 12.1. | | | | |
| Characteristic | Sym | Min | Typ ⁽¹⁾ | Max | Units | Conditions |
| Input Low Voltage I/O ports MCLR (Schmitt Trigger) T0CKI (Schmitt Trigger) OSC1 (Schmitt Trigger) | VIL | VSS VSS VSS VSS | | 0.20 VDD 0.15 VDD 0.15 VDD 0.15 VDD | V V V V | Pin at hi-impedance PIC16CR54-RC only ⁽⁴⁾ PIC16CR54-XT, 10, HS, LP |
| Input High Voltage I/O ports MCLR (Schmitt Trigger) T0CKI (Schmitt Trigger) OSC1 (Schmitt Trigger) | VIH | 2.0 0.6 VDD 0.85 VDD 0.85 VDD 0.85 VDD | | VDD VDD VDD VDD VDD | V V V V V | VDD = 3.0V to 5.5V ⁽⁵⁾ Full VDD range ⁽⁵⁾ PIC16CR54-RC only ⁽⁴⁾ PIC16CR54-XT, 10, HS, LP |
| Hysteresis of Schmitt Trigger inputs | VHYS | 0.15VDD* | | | V | |
| Input Leakage Current^(2,3) I/O ports MCLR T0CKI OSC1 | IIL | -1 -5 -3 -3 | 0.5 0.5 0.5 | +1 +5 +5 +3 | μA μA μA μA | For VDD ≤ 5.5 V VSS ≤ VPIN ≤ VDD, Pin at hi-impedance VPIN = VSS + 0.25V VPIN = VDD VSS ≤ VPIN ≤ VDD VSS ≤ VPIN ≤ VDD, PIC16CR54-XT, 10, HS, LP |
| Output Low Voltage I/O ports OSC2/CLKOUT | Vol | | | 0.5 0.5 | V V | IOL = 10 mA, VDD = 6.0V IOL = 1.9 mA, VDD = 6.0V |
| Output High Voltage^(3,4) I/O ports OSC2/CLKOUT | VOH | VDD - 0.5 VDD - 0.5 | | | V V | IOH = -4.0 mA, VDD = 6.0V IOH = -0.8 mA, VDD = 6.0V |

* These parameters are characterized but not tested.

Note 1: Data in the Typical ("Typ") column is based on characterization results at 25°C. This data is for design guidance only and is not tested.

- 2: The leakage current on the MCLR/VPP pin is strongly dependent on the applied voltage level. The specified levels represent normal operating conditions. Higher leakage current may be measured at different input voltage.
- 3: Negative current is defined as coming out of the pin.
- 4: For PIC16C5X-RC devices, the OSC1/CLKIN pin is a Schmitt Trigger input. It is not recommended that the PIC16C5X be driven with external clock in RC mode.
- 5: The user may use the better of the two specifications.

12.4 DC Characteristics: PIC16CR54E-RC, XT, HS, LP (Automotive)

| DC Characteristics All Pins Except Power Supply Pins | | Standard Operating Conditions (unless otherwise specified) Operating Temperature $-40^{\circ}\text{C} \leq T_A \leq +125^{\circ}\text{C}$ Operating Voltage V_{DD} range is described in Section 12.2. | | | | |
|---|------------------|--|--------------------------|---|---------------------------------|--|
| Characteristic | Sym | Min | Typ ⁽¹⁾ | Max | Units | Conditions |
| Input Low Voltage I/O ports MCLR (Schmitt Trigger) T0CKI (Schmitt Trigger) OSC1 (Schmitt Trigger) | V _{IL} | V _{SS} V _{SS} V _{SS} V _{SS} V _{SS} | | 0.15 V _{DD} 0.15 V _{DD} 0.15 V _{DD} 0.15 V _{DD} 0.3 V _{DD} | V V V V V | Pin at hi-impedance PIC16CR54E-RC only ⁽⁴⁾ PIC16CR54E-XT, 10, HS, LP |
| Input High Voltage I/O ports MCLR (Schmitt Trigger) T0CKI (Schmitt Trigger) OSC1 (Schmitt Trigger) | V _{IH} | 0.45 V _{DD} 2.0 0.36 V _{DD} 0.85 V _{DD} 0.85 V _{DD} 0.85 V _{DD} 0.7 V _{DD} | | V _{DD} V _{DD} V _{DD} V _{DD} V _{DD} V _{DD} V _{DD} | V V V V V V V | For all V _{DD} ⁽⁵⁾ 4.0V < V _{DD} ≤ 5.5V ⁽⁵⁾ V _{DD} > 5.5V PIC16CR54E-RC only ⁽⁴⁾ PIC16CR54E-XT, 10, HS, LP |
| Hysteresis of Schmitt Trigger inputs | V _{HYS} | 0.15V _{DD} * | | | V | |
| Input Leakage Current^(2,3) I/O ports MCLR T0CKI OSC1 | I _{IL} | -1 -5 -3 -3 | 0.5 0.5 0.5 0.5 | +1 +5 +3 +3 | μA μA μA μA | For V _{DD} ≤ 5.5V V _{SS} ≤ V _{PIN} ≤ V _{DD} , Pin at hi-impedance V _{PIN} = V _{SS} + 0.25V V _{PIN} = V _{DD} V _{SS} ≤ V _{PIN} ≤ V _{DD} V _{SS} ≤ V _{PIN} ≤ V _{DD} , PIC16CR54E-XT, 10, HS, LP |
| Output Low Voltage I/O ports OSC2/CLKOUT | V _{OL} | | | 0.6 0.6 | V V | I _{OL} = 8.7 mA, V _{DD} = 4.5V I _{OL} = 1.6 mA, V _{DD} = 4.5V, PIC16CR54-RC |
| Output High Voltage⁽³⁾ I/O ports OSC2/CLKOUT | V _{OH} | V _{DD} - 0.7 V _{DD} - 0.7 | | | V V | I _{OH} = -5.4 mA, V _{DD} = 4.5V I _{OH} = -1.0 mA, V _{DD} = 4.5V, PIC16CR54-RC |

* These parameters are characterized but not tested.

Note 1: Data in the Typical ("Typ") column is based on characterization results at 25°C. This data is for design guidance only and is not tested.

- 2: The leakage current on the MCLR/V_{PP} pin is strongly dependent on the applied voltage level. The specified levels represent normal operating conditions. Higher leakage current may be measured at different input voltage.
- 3: Negative current is defined as coming out of the pin.
- 4: For PIC16C5X-RC devices, the OSC1/CLKIN pin is a Schmitt Trigger input. It is not recommended that the PIC16C5X be driven with external clock in RC mode.
- 5: The user may use the better of the two specifications.

12.5 Timing Parameter Symbolology and Load Conditions

The timing parameter symbols have been created following one of the following formats:

1. TppS2ppS
2. TppS

| | | | |
|----------|-----------|---|------|
| T | | | |
| F | Frequency | T | Time |

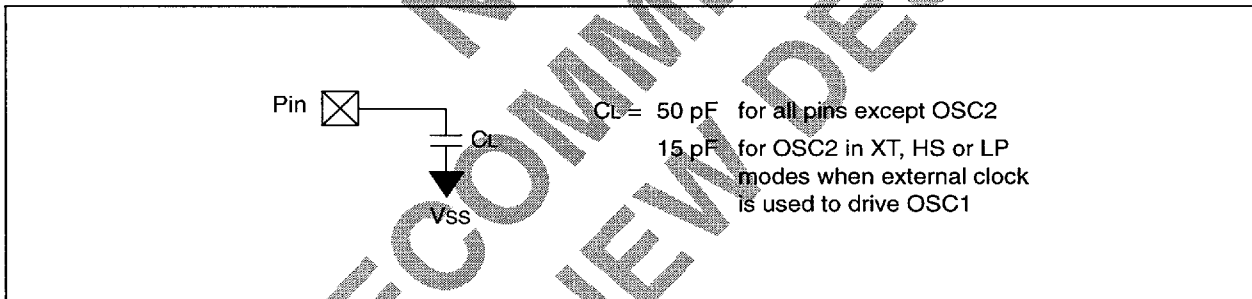
Lowercase subscripts (pp) and their meanings:

| | | | |
|-----------|--------------------|-----|----------------|
| pp | | | |
| 2 | to | mc | MCLR |
| ck | CLKOUT | osc | oscillator |
| cy | cycle time | os | OSC1 |
| drt | device reset timer | t0 | T0CKI |
| io | I/O port | wdt | watchdog timer |

Uppercase letters and their meanings:

| | | | |
|----------|------------------------|---|--------------|
| S | | | |
| F | Fall | P | Period |
| H | High | R | Rise |
| I | Invalid (Hi-impedance) | V | Valid |
| L | Low | Z | Hi-impedance |

FIGURE 12-1: LOAD CONDITIONS



12.6 Timing Diagrams and Specifications

FIGURE 12-2: EXTERNAL CLOCK TIMING - PIC16CR54

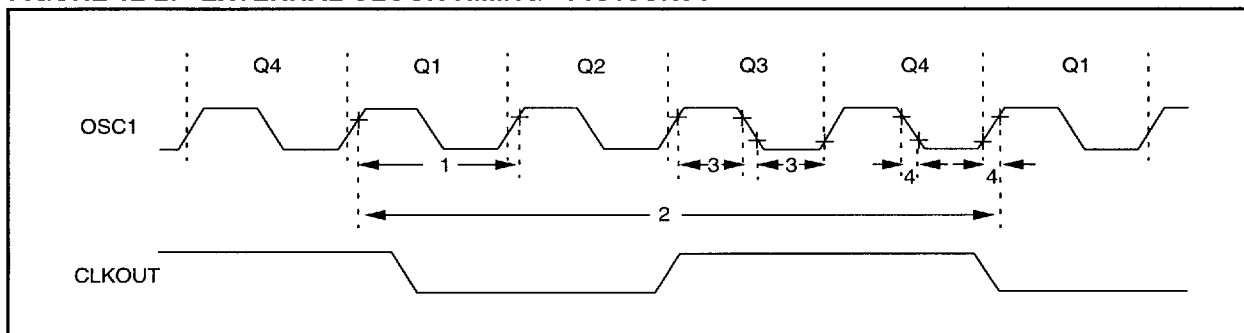


TABLE 12-2: EXTERNAL CLOCK TIMING REQUIREMENTS - PIC16CR54

| AC Characteristics | | Standard Operating Conditions (unless otherwise specified) | | | | | |
|--------------------|------|--|-----|--------------------|-----|-------|--------------------------|
| | | Operating Temperature 0°C ≤ TA ≤ +70°C (commercial), -40°C ≤ TA ≤ +85°C (industrial), -40°C ≤ TA ≤ +125°C (automotive) | | | | | |
| | | Operating Voltage VDD range is described in Section 12.1 and Section 12.2 | | | | | |
| Parameter No. | Sym | Characteristic | Min | Typ ⁽¹⁾ | Max | Units | Conditions |
| | Fosc | External CLKIN Frequency ⁽²⁾ | DC | — | 4 | MHz | RC osc mode |
| | | | DC | — | 4 | MHz | XT osc mode |
| | | | DC | — | 10 | MHz | 10 MHz mode |
| | | | DC | — | 20 | MHz | HS osc mode (Com/Indust) |
| | | | DC | — | 16 | MHz | HS osc mode (Automotive) |
| | | | DC | — | 200 | kHz | LP osc mode |
| | | Oscillator Frequency ⁽²⁾ | DC | — | 4 | MHz | RC osc mode |
| | | | 0.1 | — | 4 | MHz | XT osc mode |
| | | | 4 | — | 10 | MHz | 10 MHz mode |
| | | | 4 | — | 20 | MHz | HS osc mode (Com/Indust) |
| | | | 4 | — | 16 | MHz | HS osc mode (Automotive) |
| | | | DC | — | 200 | kHz | LP osc mode |

* These parameters are characterized but not tested.

Note 1: Data in the Typical ("Typ") column is at 5.0V, 25°C unless otherwise stated. These parameters are for design guidance only and are not tested.

Note 2: All specified values are based on characterization data for that particular oscillator type under standard operating conditions with the device executing code. Exceeding these specified limits may result in an unstable oscillator operation and/or higher than expected current consumption.

When an external clock input is used, the "max" cycle time limit is "DC" (no clock) for all devices.

Note 3: Instruction cycle period (Tcy) equals four times the input oscillator time base period.

TABLE 12-2: EXTERNAL CLOCK TIMING REQUIREMENTS - PIC16CR54 (CON'T)

| AC Characteristics | | Standard Operating Conditions (unless otherwise specified) | | | | | | |
|--------------------|------------|--|----------------------------------|--------------------|-----|--------|--------------------------|--------------------------|
| | | Operating Temperature 0°C ≤ TA ≤ +70°C (commercial), -40°C ≤ TA ≤ +85°C (industrial), -40°C ≤ TA ≤ +125°C (automotive) | | | | | | |
| | | Operating Voltage VDD range is described in Section 12.1 and Section 12.2 | | | | | | |
| Parameter No. | Sym | Characteristic | Min | Typ ⁽¹⁾ | Max | Units | Conditions | |
| 1 | Tosc | External CLKIN Period ⁽²⁾ | 250 | — | — | ns | RC osc mode | |
| | | | 250 | — | — | ns | XT osc mode | |
| | | | 100 | — | — | ns | 10 MHz mode | |
| | | | 50 | — | — | ns | HS osc mode (Com/Indust) | |
| | | | 62.5 | — | — | ns | HS osc mode (Automotive) | |
| | | | 5 | — | — | μs | LP osc mode | |
| | | | Oscillator Period ⁽²⁾ | 250 | — | — | ns | RC osc mode |
| | | | | 250 | — | 10,000 | ns | XT osc mode |
| | | | | 100 | — | 250 | ns | 10 MHz mode |
| | | | | 50 | — | 250 | ns | HS osc mode (Com/Indust) |
| | | | | 62.5 | — | 250 | ns | HS osc mode (Automotive) |
| | | | | 5 | — | — | μs | LP osc mode |
| 2 | Tcy | Instruction Cycle Time ⁽³⁾ | — | 4/Fosc | — | — | — | |
| 3 | TosL, TosH | Clock in (OSC1) Low or High Time | 50* | — | — | ns | XT oscillator | |
| | | | 20* | — | — | ns | HS oscillator | |
| | | | 2* | — | — | μs | LP oscillator | |
| 4 | TosR, TosF | Clock in (OSC1) Rise or Fall Time | — | — | 25* | ns | XT oscillator | |
| | | | — | — | 25* | ns | HS oscillator | |
| | | | — | — | 50* | ns | LP oscillator | |

* These parameters are characterized but not tested.

Note 1: Data in the Typical ("Typ") column is at 5.0V, 25°C unless otherwise stated. These parameters are for design guidance only and are not tested.

2: All specified values are based on characterization data for that particular oscillator type under standard operating conditions with the device executing code. Exceeding these specified limits may result in an unstable oscillator operation and/or higher than expected current consumption.

When an external clock input is used, the "max" cycle time limit is "DC" (no clock) for all devices.

3: Instruction cycle period (Tcy) equals four times the input oscillator time base period.

FIGURE 12-3: CLKOUT AND I/O TIMING - PIC16CR54

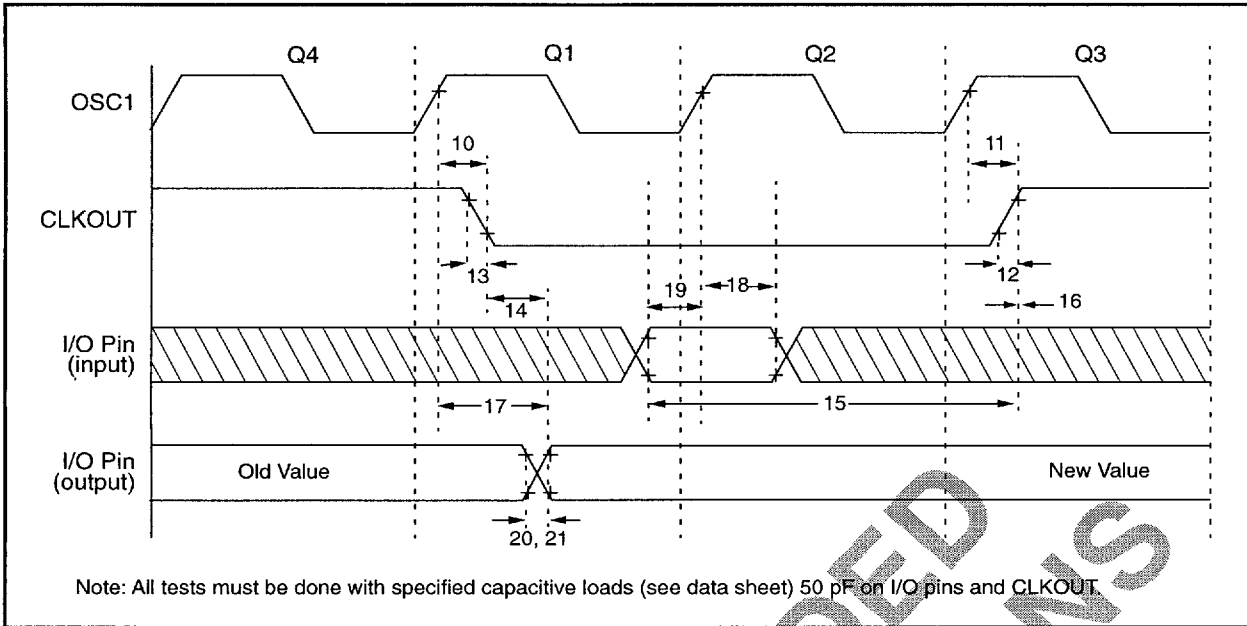


TABLE 12-3: CLKOUT AND I/O TIMING REQUIREMENTS - PIC16CR54

| AC Characteristics | | Standard Operating Conditions (unless otherwise specified) | | | | |
|--------------------|----------|---|--------------|--------------------|------|-------|
| | | Operating Temperature 0°C ≤ TA ≤ +70°C (commercial), -40°C ≤ TA ≤ +85°C (industrial), 40°C ≤ TA ≤ +125°C (automotive) | | | | |
| | | Operating Voltage VDD range is described in Section 12.1 and Section 12.2 | | | | |
| Parameter No. | Sym | Characteristic | Min | Typ ⁽¹⁾ | Max | Units |
| 10 | TosH2ckL | OSC1↑ to CLKOUT↓ ⁽²⁾ | — | 15 | 30** | ns |
| 11 | TosH2ckH | OSC1↑ to CLKOUT↑ ⁽²⁾ | — | 15 | 30** | ns |
| 12 | TckR | CLKOUT rise time ⁽²⁾ | — | 5 | 15** | ns |
| 13 | TckF | CLKOUT fall time ⁽²⁾ | — | 5 | 15** | ns |
| 14 | TckL2ioV | CLKOUT↓ to Port out valid ⁽²⁾ | — | — | 40** | ns |
| 15 | TioV2ckH | Port in valid before CLKOUT↑ ⁽²⁾ | 0.25 TCY+30* | — | — | ns |
| 16 | TckH2ioI | Port in hold after CLKOUT↑ ⁽²⁾ | 0* | — | — | ns |
| 17 | TosH2ioV | OSC1↑ (Q1 cycle) to Port out valid ⁽³⁾ | — | — | 100* | ns |
| 18 | TosH2ioI | OSC1↑ (Q2 cycle) to Port input invalid (I/O in hold time) | TBD | — | — | ns |
| 19 | TioV2osH | Port input valid to OSC1↑ (I/O in setup time) | TBD | — | — | ns |
| 20 | TioR | Port output rise time ⁽³⁾ | — | 10 | 25** | ns |
| 21 | TioF | Port output fall time ⁽³⁾ | — | 10 | 25** | ns |

* These parameters are characterized but not tested.

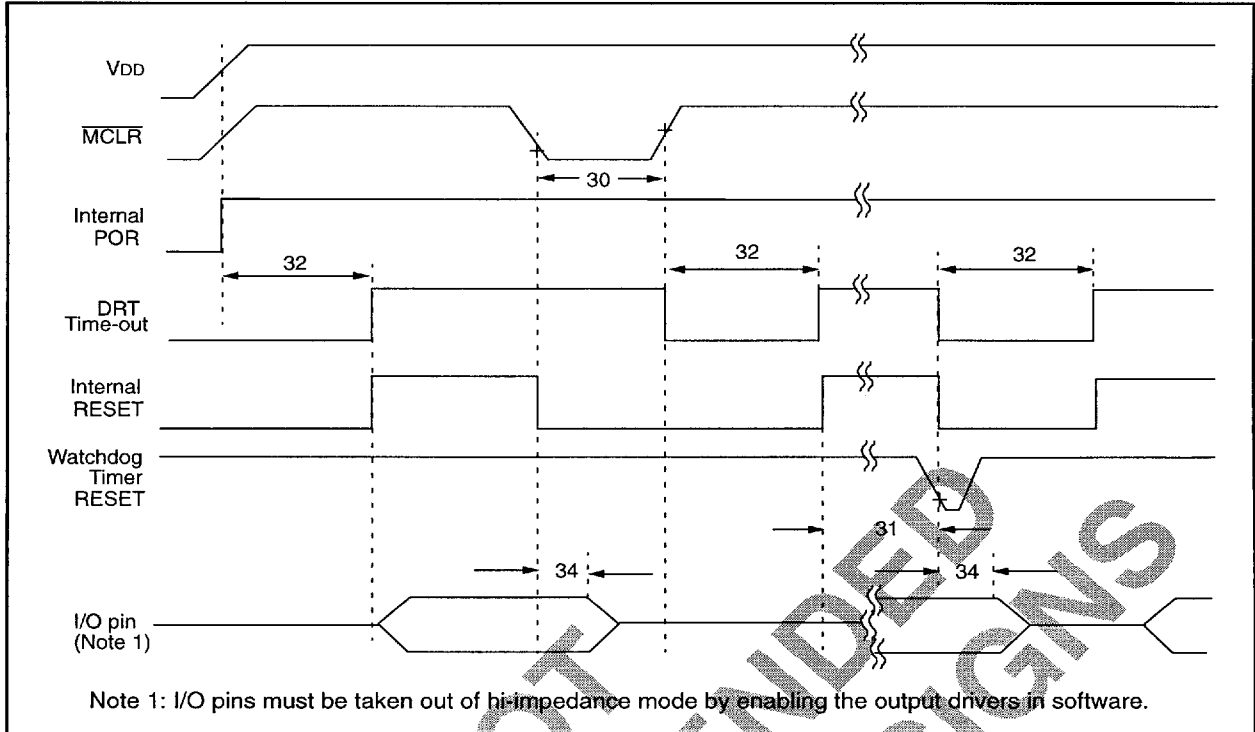
** These parameters are design targets and are not tested. No characterization data available at this time.

Note 1: Data in the Typical ("Typ") column is at 5.0V, 25°C unless otherwise stated. These parameters are for design guidance only and are not tested.

2: Measurements are taken in RC Mode where CLKOUT output is 4 x Tosc.

3: See Figure 12-1 for loading conditions.

FIGURE 12-4: RESET, WATCHDOG TIMER, AND DEVICE RESET TIMER TIMING - PIC16CR54



Note 1: I/O pins must be taken out of hi-impedance mode by enabling the output drivers in software.

TABLE 12-4: RESET, WATCHDOG TIMER, AND DEVICE RESET TIMER - PIC16CR54

| AC Characteristics Standard Operating Conditions (unless otherwise specified) | | | | | | | |
|---|------|---|------|--------------------|------|-------|-------------------------|
| Operating Temperature $0^{\circ}\text{C} \leq T_A \leq +70^{\circ}\text{C}$ (commercial), $-40^{\circ}\text{C} \leq T_A \leq +85^{\circ}\text{C}$ (industrial), $-40^{\circ}\text{C} \leq T_A \leq +125^{\circ}\text{C}$ (automotive) | | | | | | | |
| Operating Voltage VDD range is described in Section 12.1 and Section 12.2 | | | | | | | |
| Parameter No. | Sym | Characteristic | Min | Typ ⁽¹⁾ | Max | Units | Conditions |
| 30 | TmcL | MCLR Pulse Width (low) | 100* | — | — | ns | VDD = 5.0V |
| 31 | Twdt | Watchdog Timer Time-out Period (No Prescaler) | 7* | 18* | 30* | ms | VDD = 5.0V (Commercial) |
| 32 | TDRT | Device Reset Timer Period | 7* | 18* | 30* | ms | VDD = 5.0V (Commercial) |
| 34 | TioZ | I/O Hi-impedance from MCLR Low | — | — | 100* | ns | |

* These parameters are characterized but not tested.

Note 1: Data in the Typical ("Typ") column is at 5.0V, 25°C unless otherwise stated. These parameters are for design guidance only and are not tested.

FIGURE 12-5: TIMER0 CLOCK TIMINGS - PIC16CR54

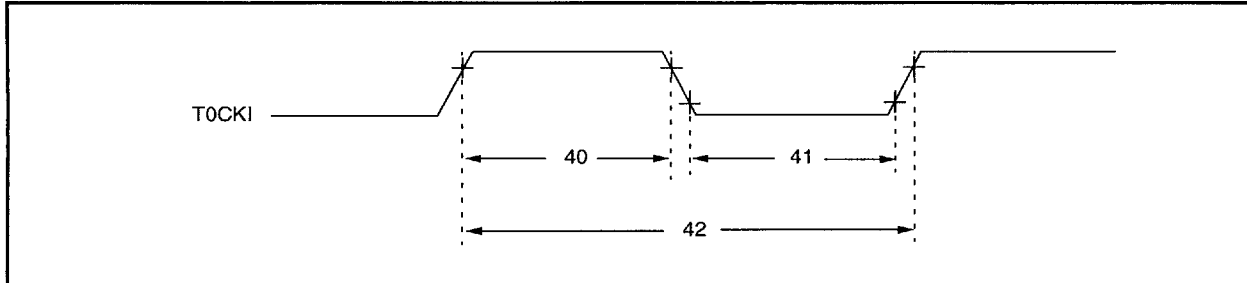


TABLE 12-5: TIMER0 CLOCK REQUIREMENTS - PIC16CR54

| AC Characteristics | | Standard Operating Conditions (unless otherwise specified) | | | | | |
|--------------------|------|--|----------------------------|--------------------|-----|-------|--|
| | | Operating Temperature 0°C ≤ TA ≤ +70°C (commercial), -40°C ≤ TA ≤ +85°C (industrial), -40°C ≤ TA ≤ +125°C (automotive) | | | | | |
| | | Operating Voltage VDD range is described in Section 12.1 and Section 12.2 | | | | | |
| Parameter No. | Sym | Characteristic | Min | Typ ⁽¹⁾ | Max | Units | Conditions |
| 40 | Tt0H | T0CKI High Pulse Width - No Prescaler | 0.5 Tcy + 20* | — | — | ns | |
| | | - With Prescaler | 10* | — | — | ns | |
| 41 | Tt0L | T0CKI Low Pulse Width - No Prescaler | 0.5 Tcy + 20* | — | — | ns | |
| | | - With Prescaler | 10* | — | — | ns | |
| 42 | Tt0P | T0CKI Period | 20 or $\frac{Tcy + 40}{N}$ | — | — | ns | Whichever is greater. N = Prescale Value (1, 2, 4, ..., 256) |

* These parameters are characterized but not tested.

Note 1: Data in the Typical ("Typ") column is at 5.0V, 25°C unless otherwise stated. These parameters are for design guidance only and are not tested.

RECOMMENDED FOR NEW DESIGN

13.0 DC AND AC CHARACTERISTICS - PIC16CR54

The graphs and tables provided in this section are for design guidance and are not tested or guaranteed. In some graphs or tables the data presented are outside specified operating range (e.g., outside specified VDD range). This is for information only and devices are will properly only within the specified range.

The data presented in this section is a statistical summary of data collected on units from different lots over a period of time. "Typical" represents the mean of the distribution while "max" or "min" represents (mean + 3σ) and (mean - 3σ) respectively, where σ is standard deviation.

FIGURE 13-1: TYPICAL RC OSCILLATOR FREQUENCY vs. TEMPERATURE

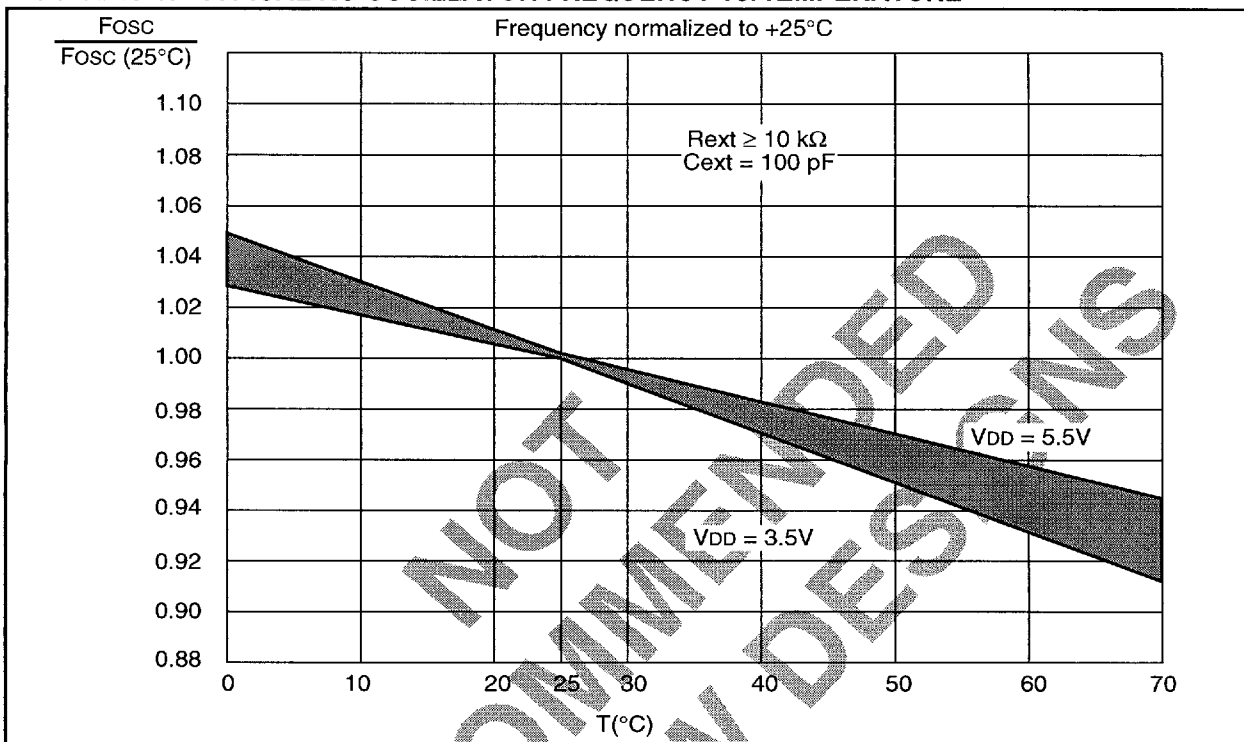


TABLE 13-1: RC OSCILLATOR FREQUENCIES

| Cext | Rext | Average Fosc @ 5V, 25°C | |
|--------|-------|-------------------------|------------------------|
| | | | Part to Part Variation |
| 20 pF | 3.3 k | 6.02 MHz | ± 28% |
| | 5 k | 4.06 MHz | ± 25% |
| | 10 k | 2.47 MHz | ± 24% |
| | 100 k | 261 kHz | ± 39% |
| 100 pF | 3.3 k | 1.82 MHz | ± 18% |
| | 5 k | 1.28 MHz | ± 21% |
| | 10 k | 715 kHz | ± 18% |
| | 100 k | 72.4 kHz | ± 28% |
| 300 pF | 3.3 k | 712.4 kHz | ± 14% |
| | 5 k | 508 kHz | ± 13% |
| | 10 k | 278 kHz | ± 13% |
| | 100 k | 28 kHz | ± 23% |

Measured on DIP packages.

The percentage variation indicated here is part-to-part variation due to normal process distribution. The variation indicated is ±3 standard deviation from average value for full VDD range.

FIGURE 13-2: TYPICAL RC OSCILLATOR FREQUENCY vs. VDD, CEXT = 20 PF

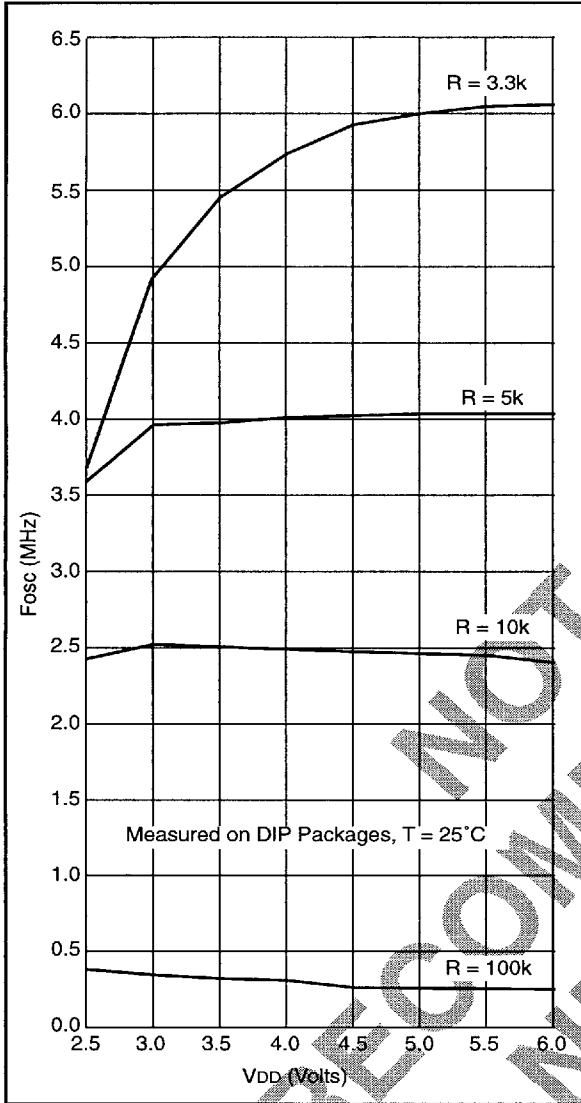


FIGURE 13-3: TYPICAL RC OSCILLATOR FREQUENCY vs. VDD, CEXT = 100 PF

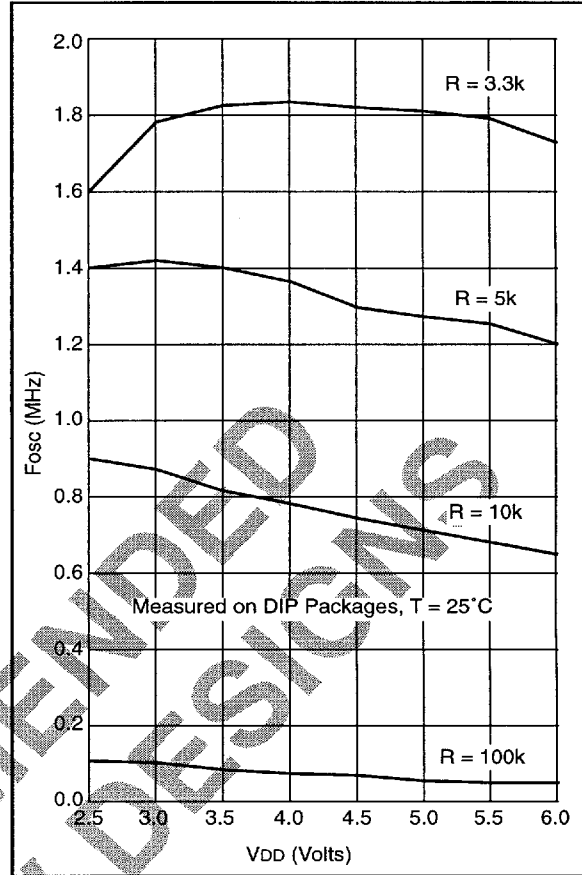


FIGURE 13-4: TYPICAL RC OSCILLATOR FREQUENCY vs. VDD, CEXT = 300 PF

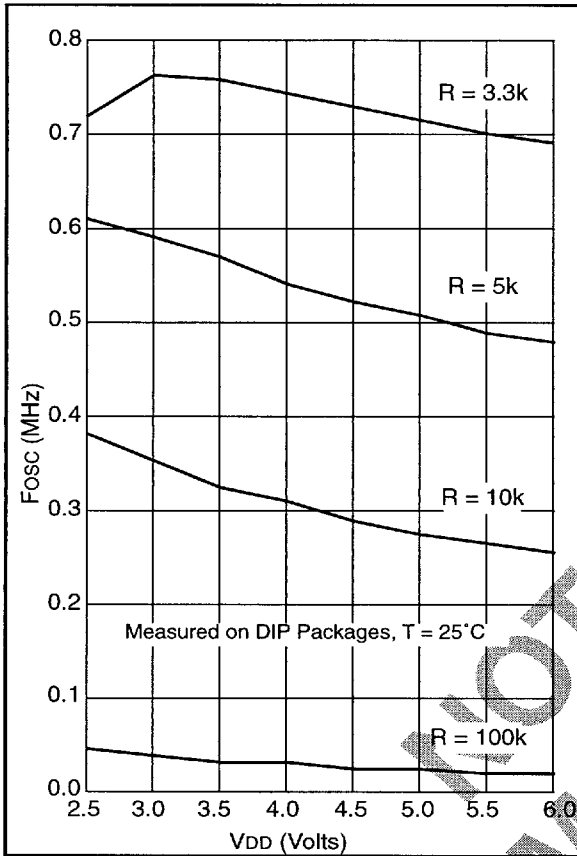


FIGURE 13-5: TYPICAL IPD vs. VDD, WATCHDOG ENABLED

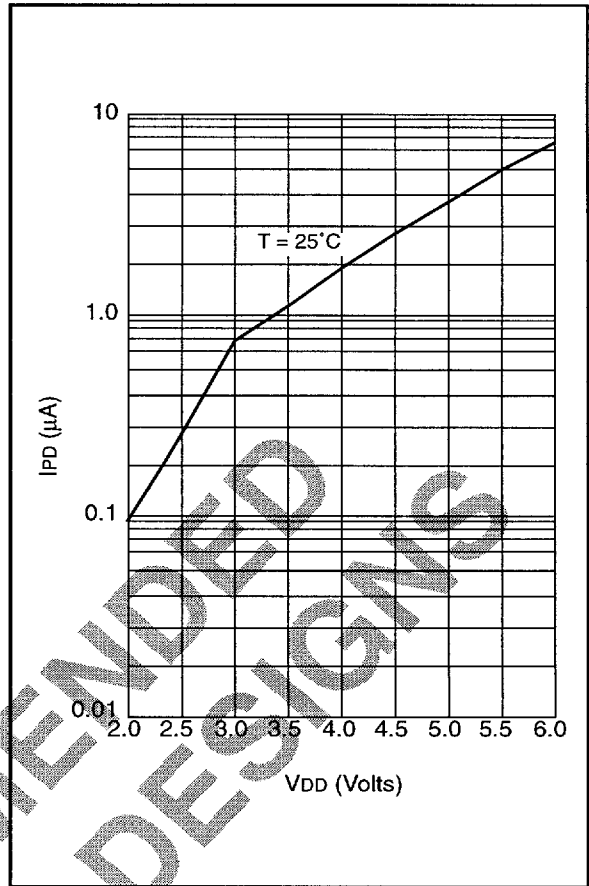


FIGURE 13-6: MAXIMUM IPD vs. VDD, WATCHDOG ENABLED

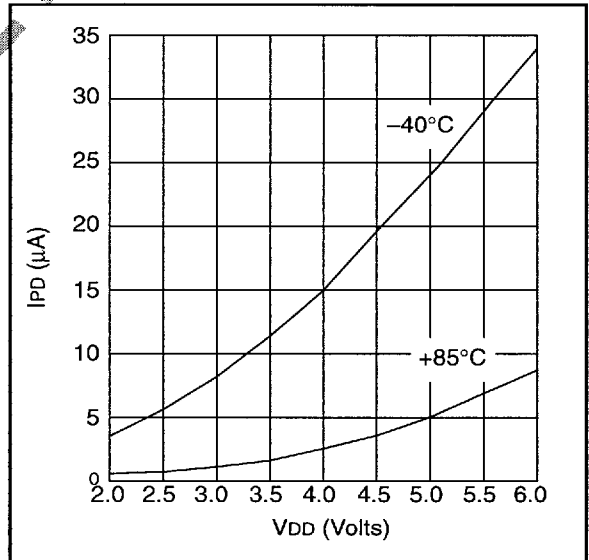


FIGURE 13-7: V_{TH} (INPUT THRESHOLD VOLTAGE) OF I/O PINS vs. V_{DD}

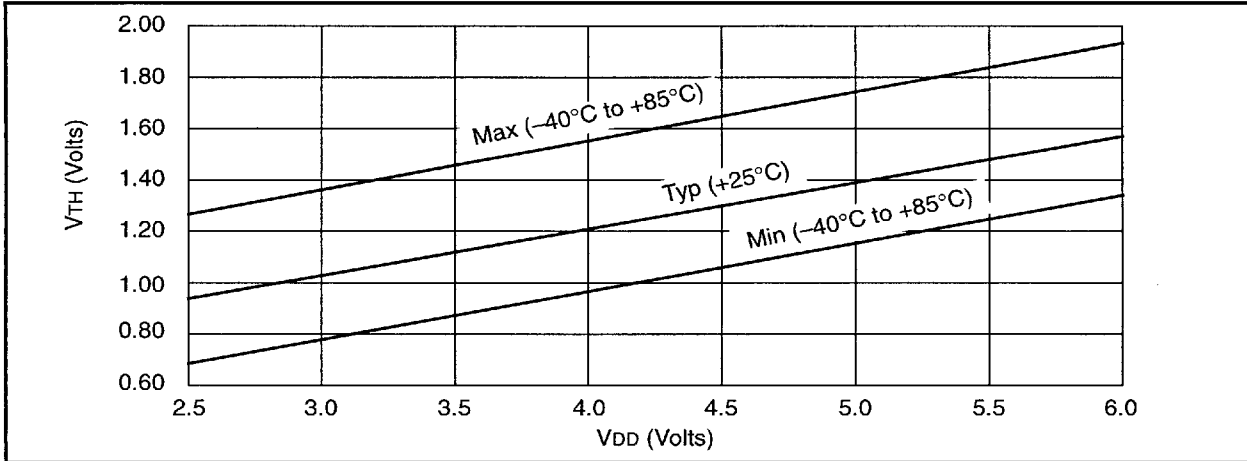


FIGURE 13-8: V_{IH} , V_{IL} OF \overline{MCLR} , $T0CKI$ AND $OSC1$ (IN RC MODE) vs. V_{DD}

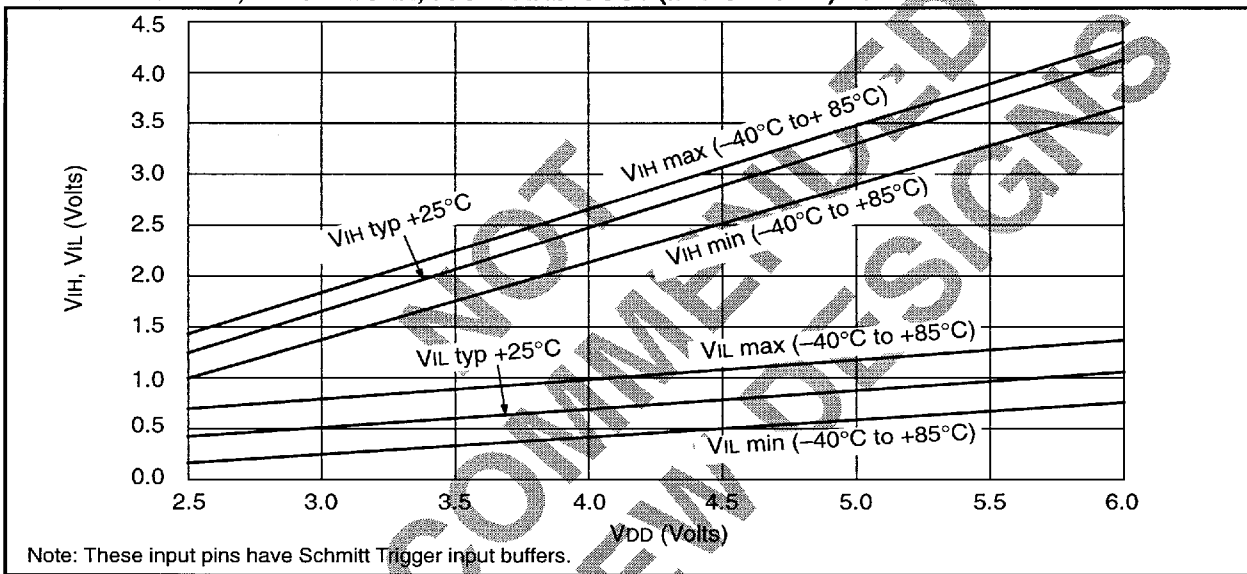


FIGURE 13-9: V_{TH} (INPUT THRESHOLD VOLTAGE) OF $OSC1$ INPUT (IN XT, HS, AND LP MODES) vs. V_{DD}

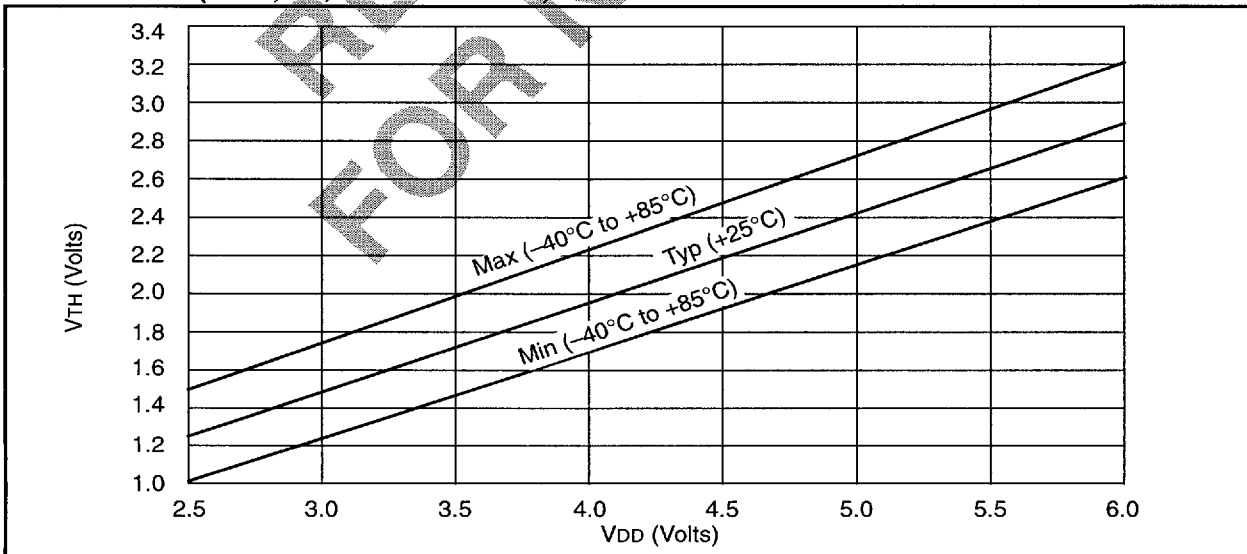


FIGURE 13-10: TYPICAL I_{DD} vs. FREQUENCY (EXTERNAL CLOCK 25°C)

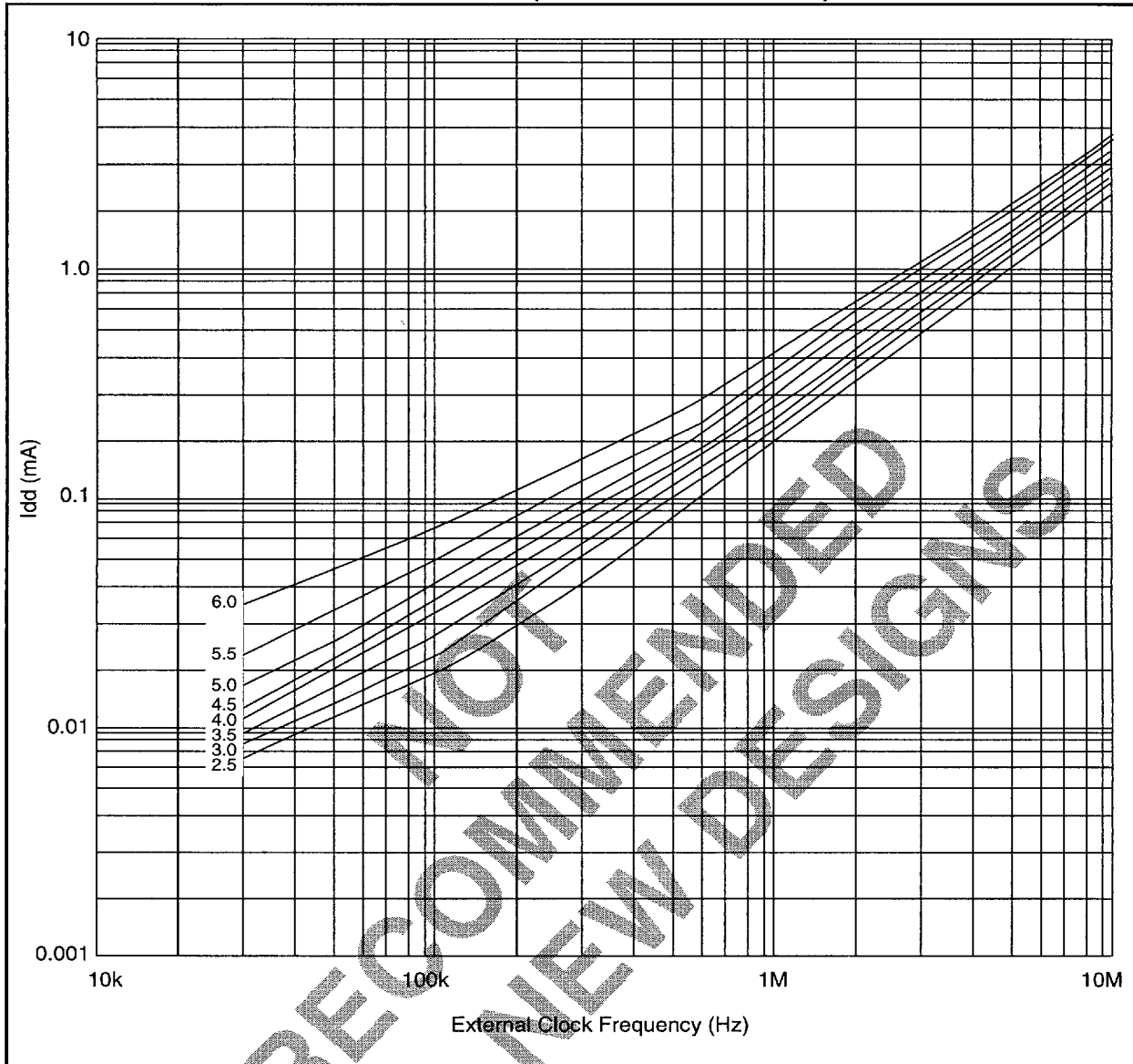


FIGURE 13-11: MAXIMUM I_{DD} vs. FREQUENCY (EXTERNAL CLOCK -40°C TO +85°C)

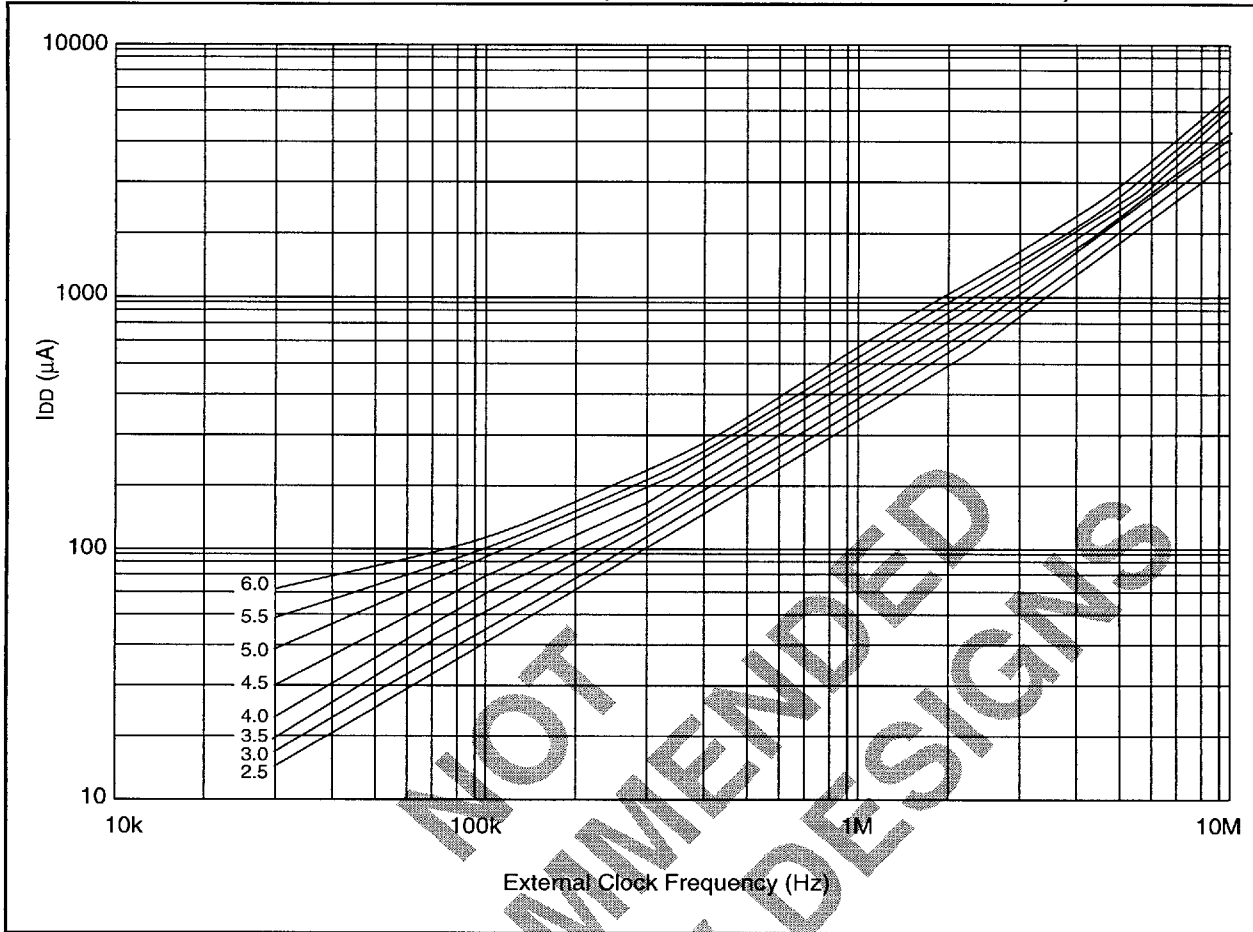


FIGURE 13-12: WDT TIMER TIME-OUT PERIOD vs. VDD

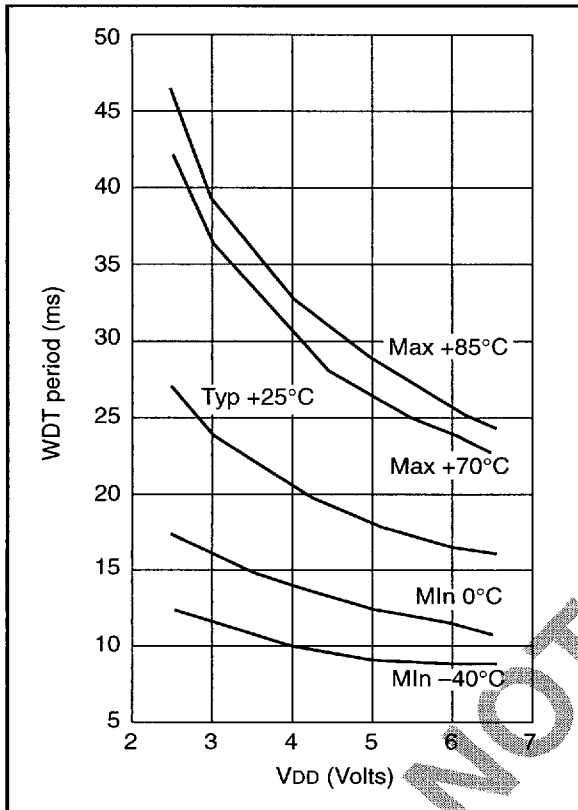
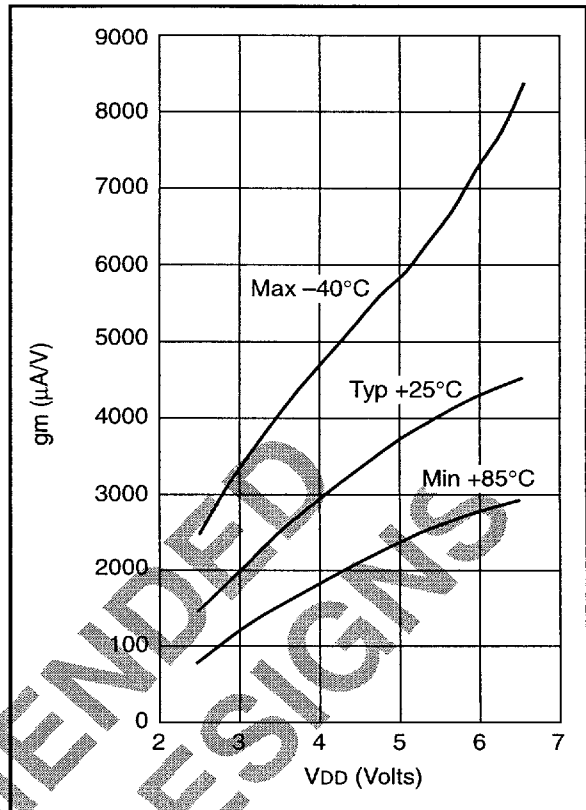


FIGURE 13-13: TRANSCONDUCTANCE (gm) OF HS OSCILLATOR vs. VDD



NOT RECOMMENDED FOR NEW DESIGNS

FIGURE 13-14: TRANSCONDUCTANCE (gm) OF LP OSCILLATOR vs. VDD

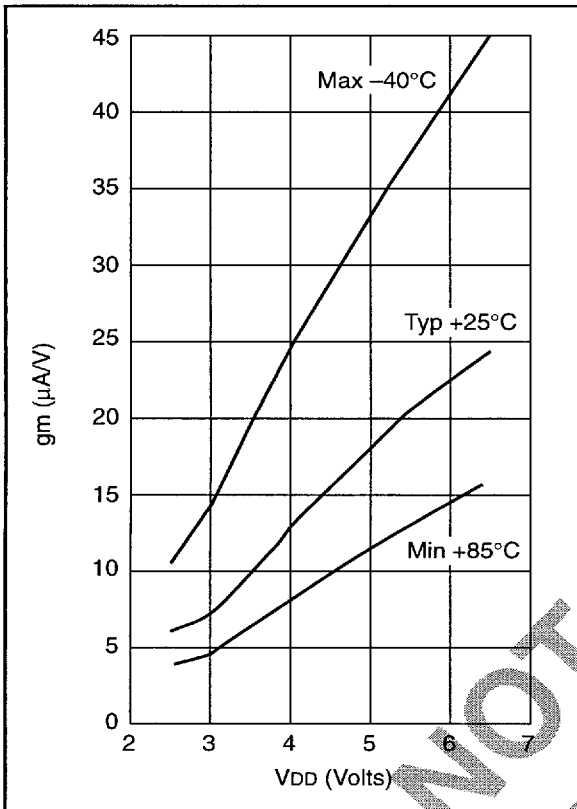


FIGURE 13-16: IOH vs. VOH, VDD = 3 V

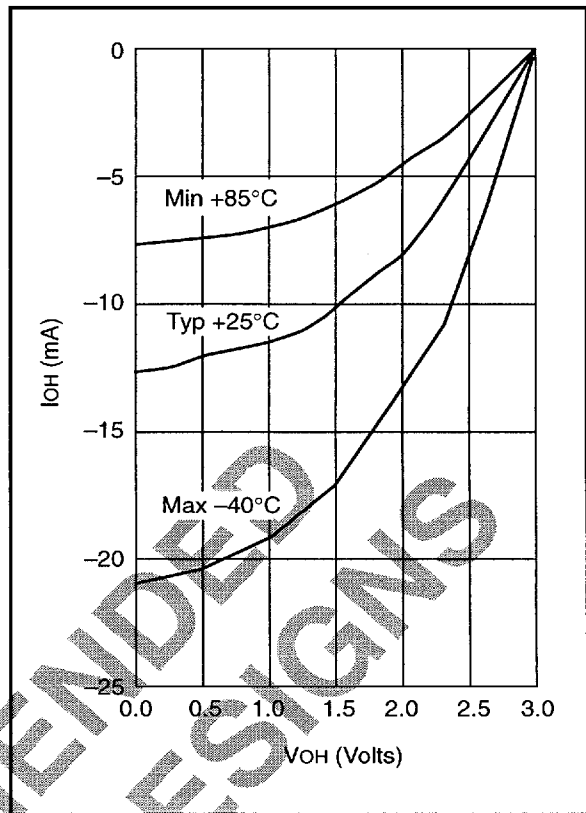


FIGURE 13-15: TRANSCONDUCTANCE (gm) OF XT OSCILLATOR vs. VDD

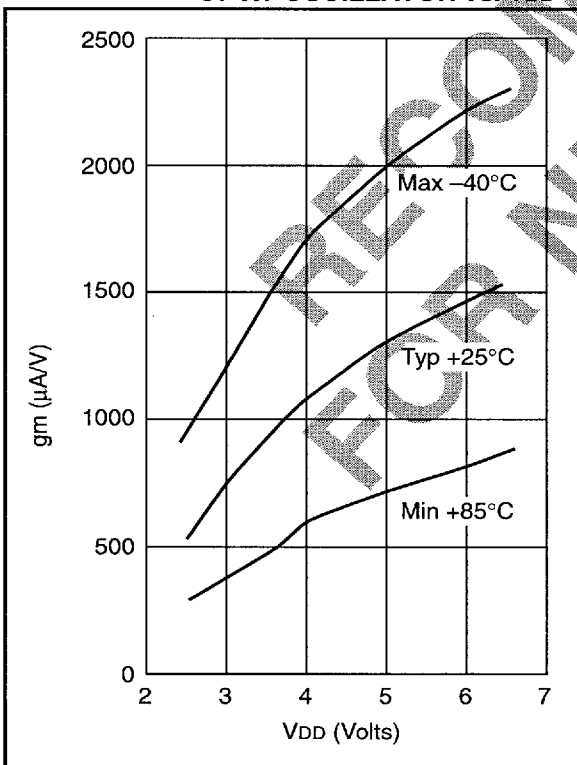


FIGURE 13-17: IOH vs. VOH, VDD = 5 V

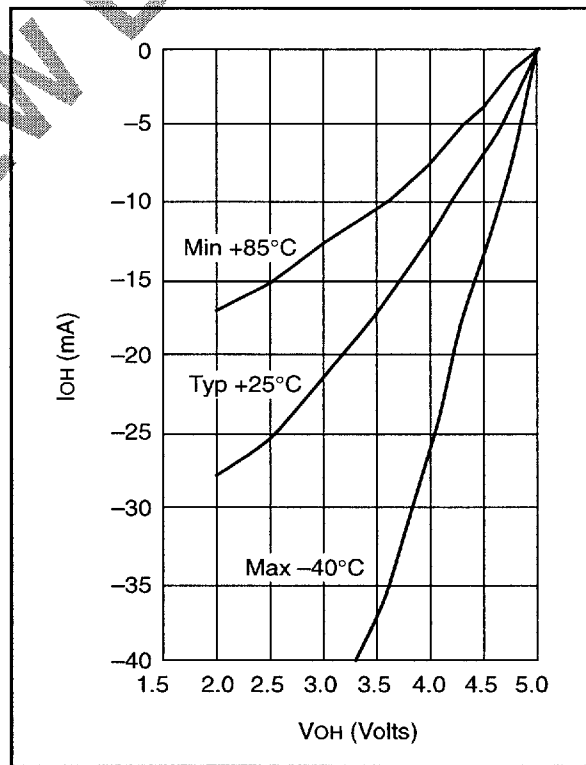


FIGURE 13-18: IOL vs. VOL, VDD = 3 V

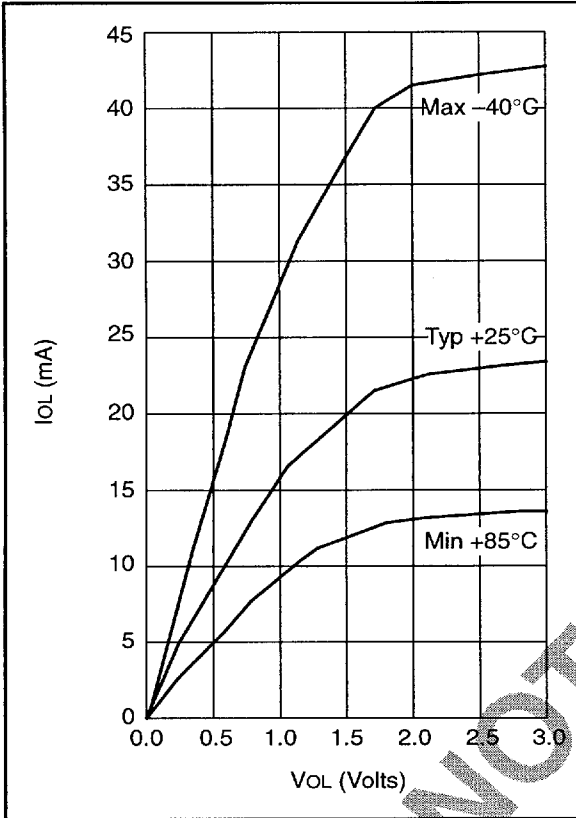


FIGURE 13-19: IOL vs. VOL, VDD = 5 V

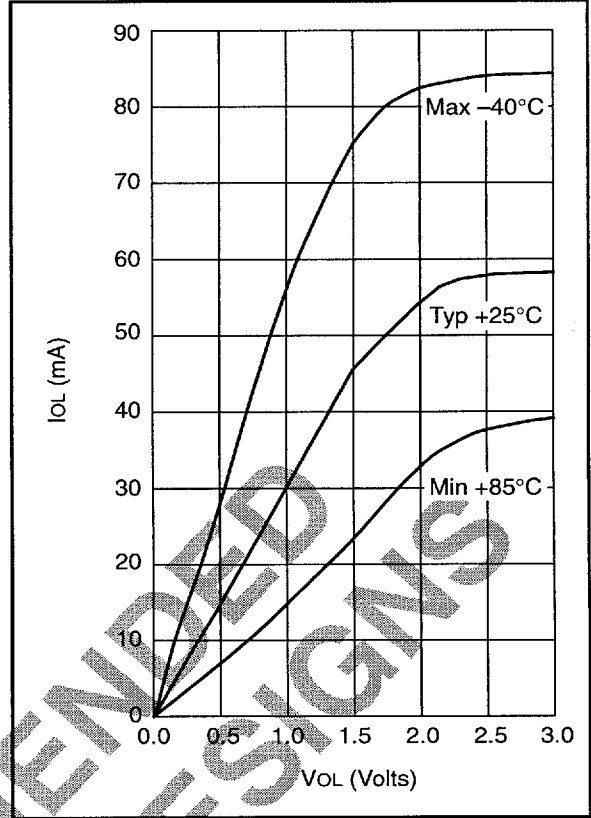


TABLE 13-2: INPUT CAPACITANCE FOR PIC16CR54

| Pin | Typical Capacitance (pF) | |
|-------------------|--------------------------|----------|
| | 18L PDIP | 18L SOIC |
| RA, RB port | 5.0 | 4.3 |
| MCLR | 2.0 | 2.0 |
| OSC1, OSC2/CLKOUT | 4.0 | 3.5 |
| T0CKI | 3.2 | 2.8 |

All capacitance values are typical at 25°C. A part-to-part variation of ±25% (three standard deviations) should be taken into account.

NOTES:

PAGE(S) INTENTIONALLY BLANK

**NOT
RECOMMENDED
FOR NEW DESIGNS**

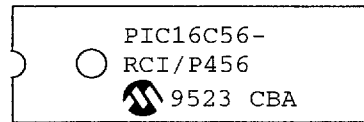
14.0 PACKAGING INFORMATION

14.1 Package Marking Information

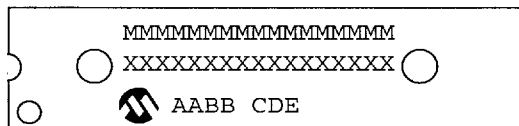
18-Lead PDIP



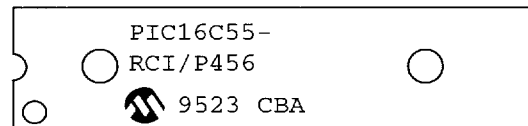
Example



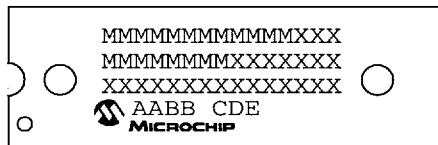
28-Lead Skinny PDIP (.300")



Example



28-Lead PDIP (.600")



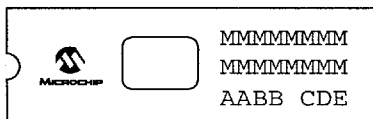
Example



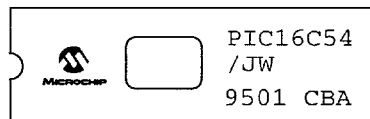
| | | |
|---|--------|---|
| Legend: | MM...M | Microchip part number information |
| | XX...X | Customer specific information* |
| | AA | Year code (last two digits of calendar year) |
| | BB | Week code (week of January 1 is week '01') |
| | C | Facility code of the plant at which wafer is manufactured C = Chandler, Arizona, U.S.A., S = Tempe, Arizona, U.S.A. |
| | D | Mask revision number |
| | E | Assembly code of the plant or country of origin in which part was assembled |
| Note: In the event the full Microchip part number cannot be marked on one line, it will be carried over to the next line thus limiting the number of available characters for customer specific information. | | |

* Standard OTP marking consists of Microchip part number, year code, week code, facility code, mask rev#, and assembly code. For OTP marking beyond this, certain price adders apply. Please check with your Microchip Sales Office. For QTP devices, any special marking adders are included in QTP price.

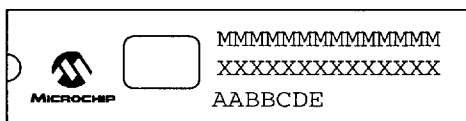
18-Lead CERDIP Windowed



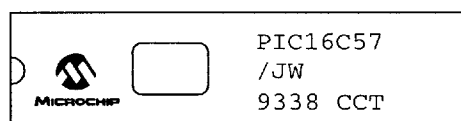
Example



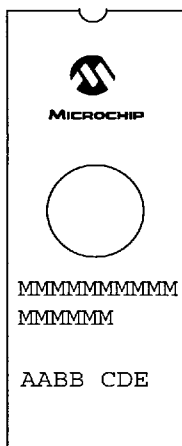
28-Lead CERDIP Skinny Windowed



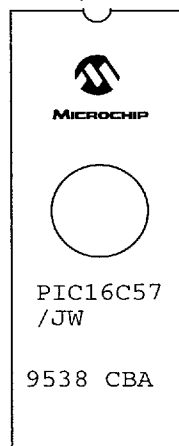
Example



28-Lead CERDIP Windowed



Example



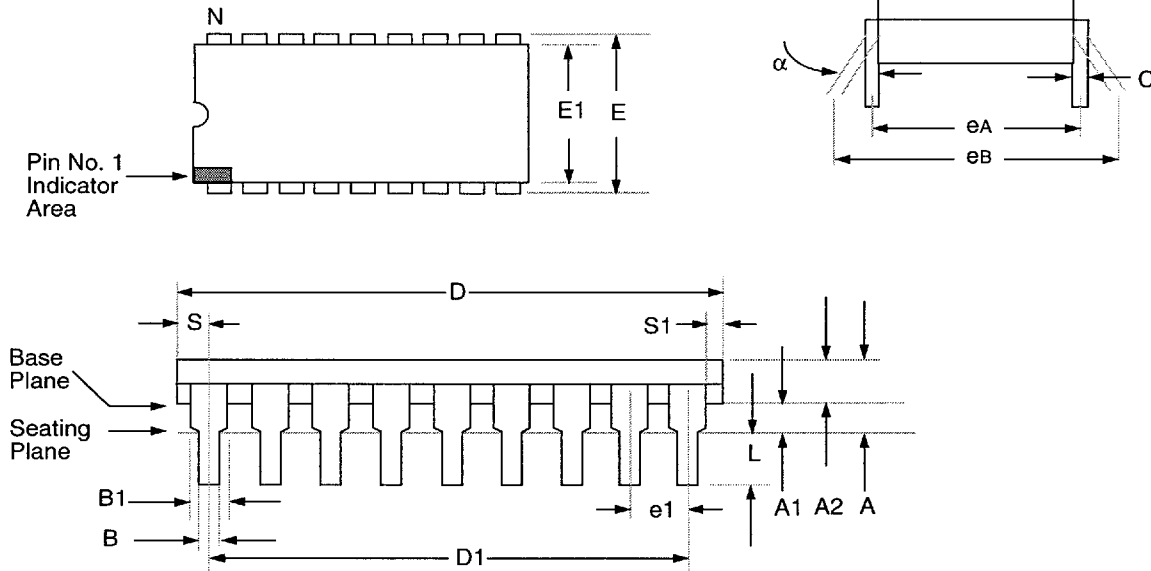
| | | |
|----------------|--------|---|
| Legend: | MM...M | Microchip part number information |
| | XX...X | Customer specific information* |
| | AA | Year code (last two digits of calendar year) |
| | BB | Week code (week of January 1 is week '01') |
| | C | Facility code of the plant at which wafer is manufactured |
| | | C = Chandler, Arizona, U.S.A., |
| | | S = Tempe, Arizona, U.S.A. |
| | D | Mask revision number |
| | E | Assembly code of the plant or country of origin in which part was assembled |

Note: In the event the full Microchip part number cannot be marked on one line, it will be carried over to the next line thus limiting the number of available characters for customer specific information.

* Standard OTP marking consists of Microchip part number, year code, week code, facility code, mask rev#, and assembly code. For OTP marking beyond this, certain price adders apply. Please check with your Microchip Sales Office. For QTP devices, any special marking adders are included in QTP price.

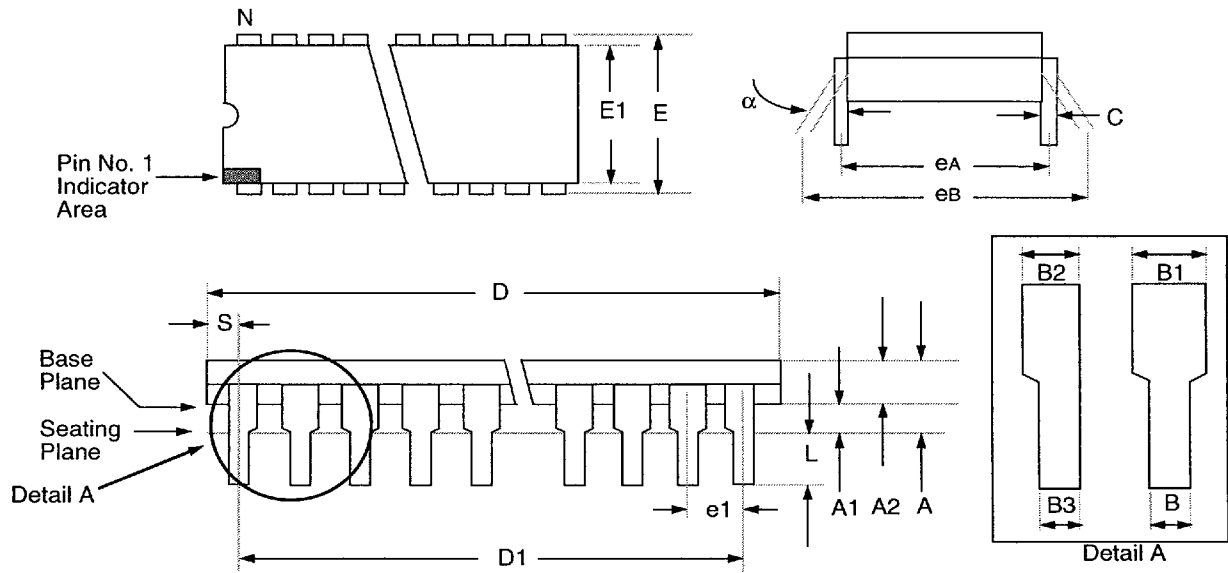
PIC16C5X

14.2 18-Lead Plastic Dual In-Line (PDIP) - 300 mil



| Package Group: Plastic Dual In-Line (PLA) | | | | | | |
|---|-------------|--------|-----------|--------|-------|-----------|
| Symbol | Millimeters | | | Inches | | |
| | Min | Max | Notes | Min | Max | Notes |
| α | 0° | 10° | | 0° | 10° | |
| A | — | 4.064 | | — | 0.160 | |
| A1 | 0.381 | — | | 0.015 | — | |
| A2 | 3.048 | 3.810 | | 0.120 | 0.150 | |
| B | 0.355 | 0.559 | | 0.014 | 0.022 | |
| B1 | 1.524 | 1.524 | Reference | 0.060 | 0.060 | Reference |
| C | 0.203 | 0.381 | Typical | 0.008 | 0.015 | Typical |
| D | 22.479 | 23.495 | | 0.885 | 0.925 | |
| D1 | 20.320 | 20.320 | Reference | 0.800 | 0.800 | Reference |
| E | 7.620 | 8.255 | | 0.300 | 0.325 | |
| E1 | 6.096 | 7.112 | | 0.240 | 0.280 | |
| e1 | 2.489 | 2.591 | Typical | 0.098 | 0.102 | Typical |
| eA | 7.620 | 7.620 | Reference | 0.300 | 0.300 | Reference |
| eB | 7.874 | 9.906 | | 0.310 | 0.390 | |
| L | 3.048 | 3.556 | | 0.120 | 0.140 | |
| N | 18 | 18 | | 18 | 18 | |
| S | 0.889 | — | | 0.035 | — | |
| S1 | 0.127 | — | | 0.005 | — | |

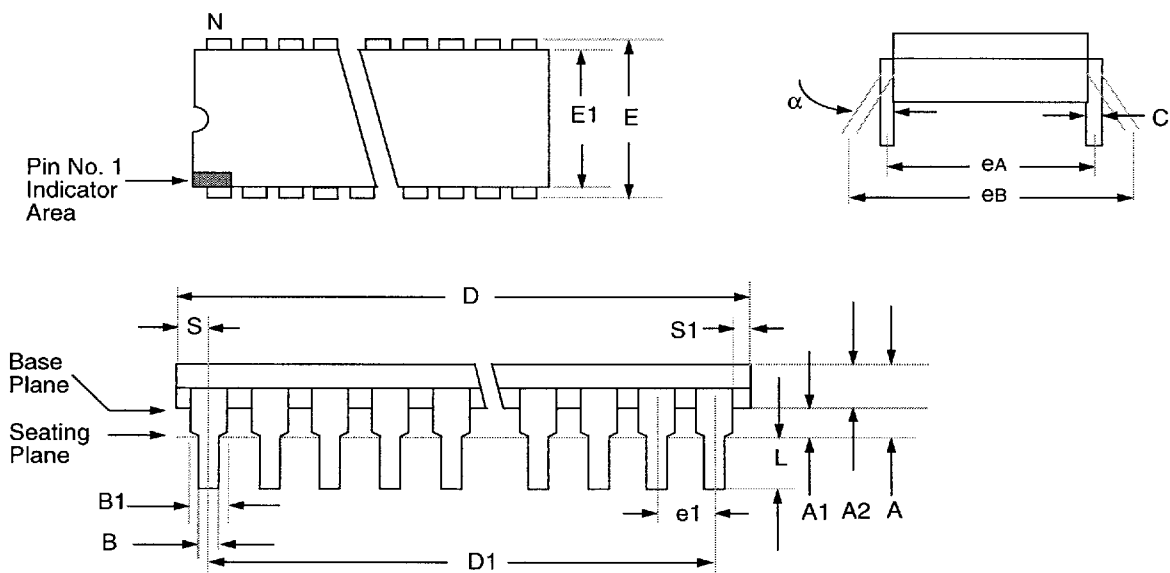
14.3 28-Lead Plastic Dual In-Line (PDIP) - 300 mil



| Package Group: Plastic Dual In-Line (PLA) | | | | | | |
|---|-------------|--------|-----------|--------|-------|-----------|
| Symbol | Millimeters | | | Inches | | |
| | Min | Max | Notes | Min | Max | Notes |
| α | 0° | 10° | | 0° | 10° | |
| A | 3.632 | 4.572 | | 0.143 | 0.180 | |
| A1 | 0.381 | — | | 0.015 | — | |
| A2 | 3.175 | 3.556 | | 0.125 | 0.140 | |
| B | 0.406 | 0.559 | | 0.016 | 0.022 | |
| B1 | 1.016 | 1.651 | Typical | 0.040 | 0.065 | Typical |
| B2 | 0.762 | 1.016 | 4 places | 0.030 | 0.040 | 4 places |
| B3 | 0.203 | 0.508 | 4 places | 0.008 | 0.020 | 4 places |
| C | 0.203 | 0.331 | Typical | 0.008 | 0.013 | Typical |
| D | 34.163 | 35.179 | | 1.385 | 1.395 | |
| D1 | 33.020 | 33.020 | Reference | 1.300 | 1.300 | Reference |
| E | 7.874 | 8.382 | | 0.310 | 0.330 | |
| E1 | 7.112 | 7.493 | | 0.280 | 0.295 | |
| e1 | 2.540 | 2.540 | Typical | 0.100 | 0.100 | Typical |
| eA | 7.874 | 7.874 | Reference | 0.310 | 0.310 | Reference |
| eB | 8.128 | 9.652 | | 0.320 | 0.380 | |
| L | 3.175 | 3.683 | | 0.125 | 0.145 | |
| N | 28 | — | | 28 | — | |
| S | 0.584 | 1.220 | | 0.023 | 0.048 | |

PIC16C5X

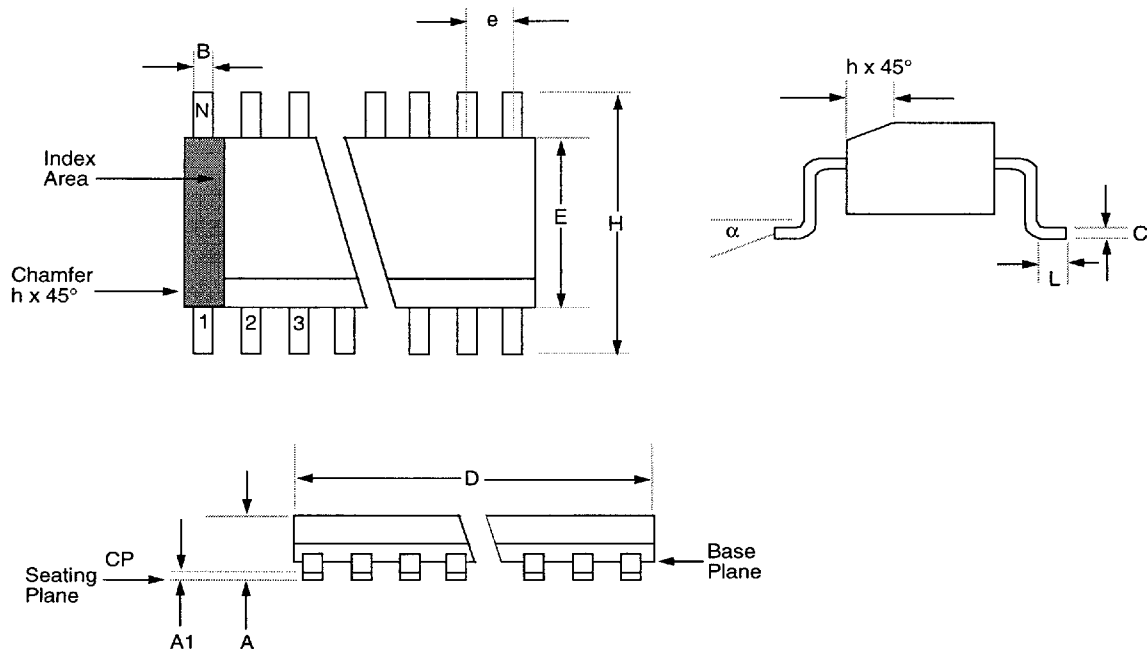
14.4 28-Lead Plastic Dual In-Line (PDIP) - 600 mil



Package Group: Plastic Dual In-Line (PLA)

| Symbol | Millimeters | | | Inches | | |
|----------|-------------|--------|-----------|--------|-------|-----------|
| | Min | Max | Notes | Min | Max | Notes |
| α | 0° | 10° | | 0° | 10° | |
| A | — | 5.080 | | — | 0.200 | |
| A1 | 0.508 | — | | 0.020 | — | |
| A2 | 3.175 | 4.064 | | 0.125 | 0.160 | |
| B | 0.355 | 0.559 | | 0.014 | 0.022 | |
| B1 | 1.270 | 1.778 | Typical | 0.050 | 0.070 | Typical |
| C | 0.203 | 0.381 | Typical | 0.008 | 0.015 | Typical |
| D | 35.052 | 37.084 | | 1.380 | 1.460 | |
| D1 | 33.020 | 33.020 | Reference | 1.300 | 1.300 | Reference |
| E | 15.240 | 15.875 | | 0.600 | 0.625 | |
| E1 | 12.827 | 13.970 | | 0.505 | 0.550 | |
| e1 | 2.489 | 2.591 | Typical | 0.098 | 0.102 | Typical |
| eA | 15.240 | 15.240 | Reference | 0.600 | 0.600 | Reference |
| eB | 15.240 | 17.272 | | 0.600 | 0.680 | |
| L | 2.921 | 3.683 | | 0.115 | 0.145 | |
| N | 28 | 28 | | 28 | 28 | |
| S | 0.889 | — | | 0.035 | — | |
| S1 | 0.508 | — | | 0.020 | — | |

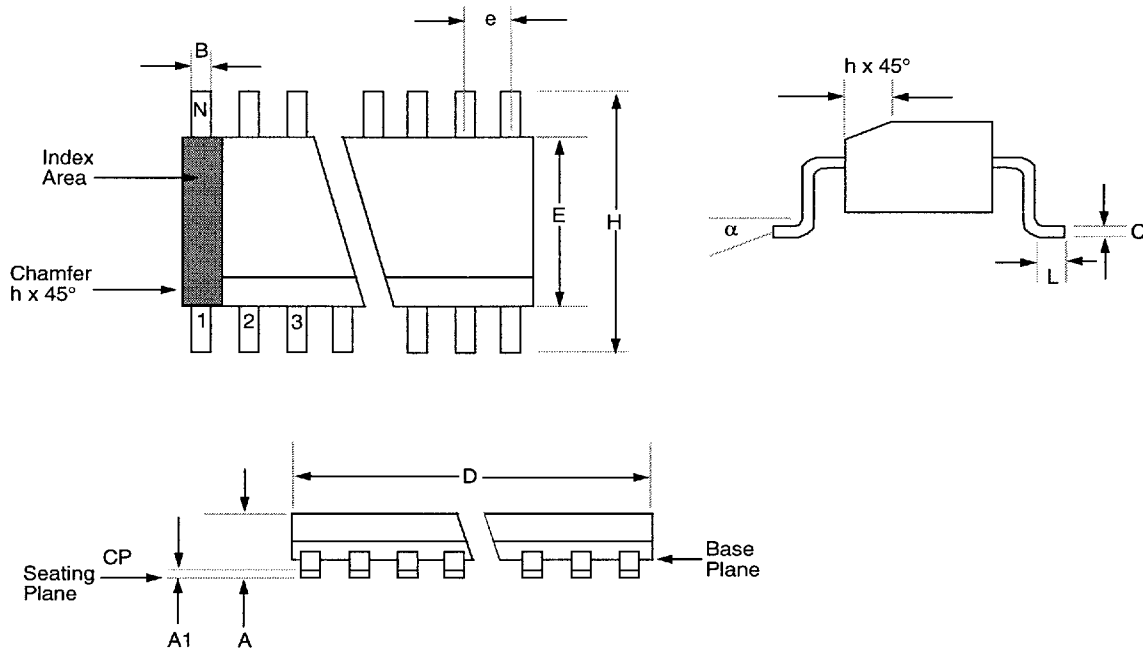
14.5 18-Lead Plastic Surface Mount (SOIC) - 300 mil



| Package Group: Plastic SOIC (SO) | | | | | | |
|----------------------------------|-------------|--------|-----------|--------|-------|-----------|
| Symbol | Millimeters | | | Inches | | |
| | Min | Max | Notes | Min | Max | Notes |
| α | 0° | 8° | | 0° | 8° | |
| A | 2.362 | 2.642 | | 0.093 | 0.104 | |
| A1 | 0.101 | 0.300 | | 0.004 | 0.012 | |
| B | 0.355 | 0.483 | | 0.014 | 0.019 | |
| C | 0.241 | 0.318 | | 0.009 | 0.013 | |
| D | 11.353 | 11.735 | | 0.447 | 0.462 | |
| E | 7.416 | 7.595 | | 0.292 | 0.299 | |
| e | 1.270 | 1.270 | Reference | 0.050 | 0.050 | Reference |
| H | 10.007 | 10.643 | | 0.394 | 0.419 | |
| h | 0.381 | 0.762 | | 0.015 | 0.030 | |
| L | 0.406 | 1.143 | | 0.016 | 0.045 | |
| N | 18 | 18 | | 18 | 18 | |
| CP | — | 0.102 | | — | 0.004 | |

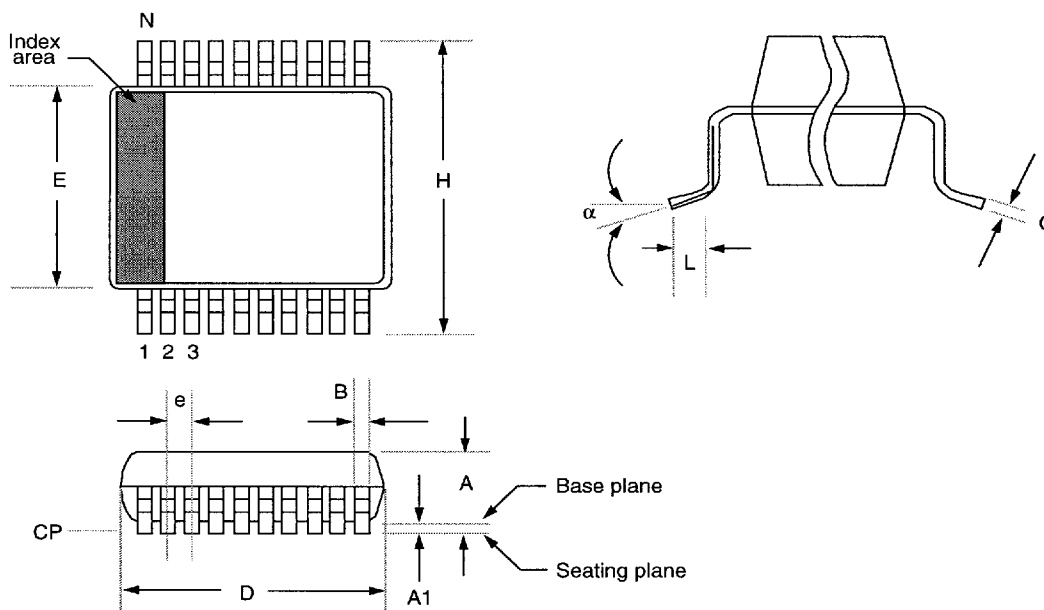
PIC16C5X

14.6 28-Lead Plastic Surface Mount (SOIC) - 300 mil



| Package Group: Plastic SOIC (SO) | | | | | | |
|----------------------------------|-------------|--------|---------|--------|-------|---------|
| Symbol | Millimeters | | | Inches | | |
| | Min | Max | Notes | Min | Max | Notes |
| α | 0° | 8° | | 0° | 8° | |
| A | 2.362 | 2.642 | | 0.093 | 0.104 | |
| A1 | 0.101 | 0.300 | | 0.004 | 0.012 | |
| B | 0.355 | 0.483 | | 0.014 | 0.019 | |
| C | 0.241 | 0.318 | | 0.009 | 0.013 | |
| D | 17.703 | 18.085 | | 0.697 | 0.712 | |
| E | 7.416 | 7.595 | | 0.292 | 0.299 | |
| e | 1.270 | 1.270 | Typical | 0.050 | 0.050 | Typical |
| H | 10.007 | 10.643 | | 0.394 | 0.419 | |
| h | 0.381 | 0.762 | | 0.015 | 0.030 | |
| L | 0.406 | 1.143 | | 0.016 | 0.045 | |
| N | 28 | 28 | | 28 | 28 | |
| CP | — | 0.102 | | — | 0.004 | |

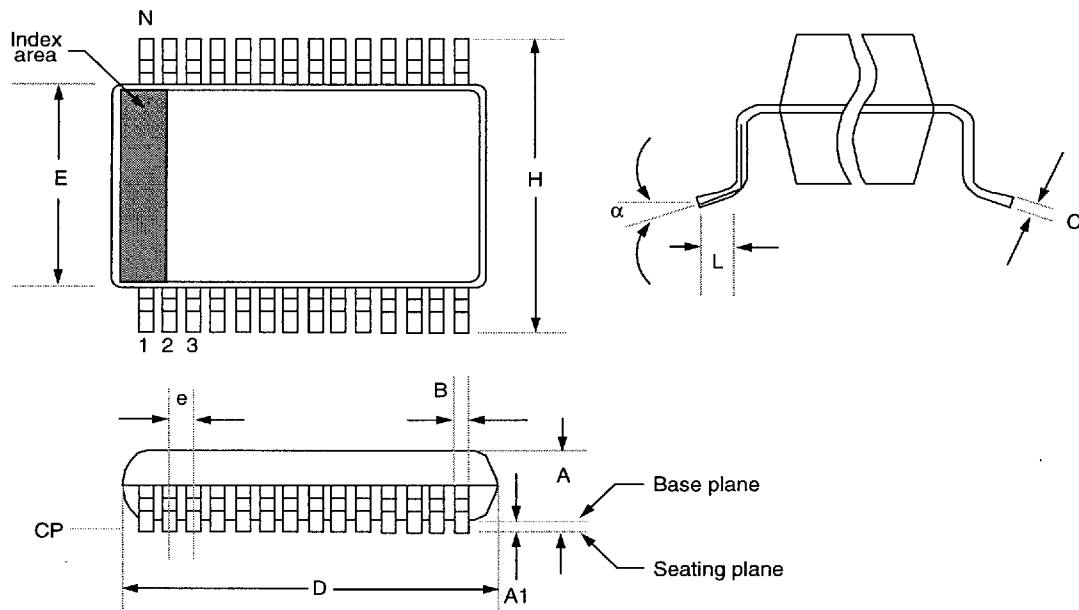
14.7 20-Lead Plastic Surface Mount (SSOP) - 209 mil



| Package Group: Plastic SSOP | | | | | | |
|-----------------------------|-------------|-------|-----------|--------|-------|-----------|
| Symbol | Millimeters | | | Inches | | |
| | Min | Max | Notes | Min | Max | Notes |
| α | 0° | 8° | | 0° | 8° | |
| A | 1.730 | 1.990 | | 0.068 | 0.078 | |
| A1 | 0.050 | 0.210 | | 0.002 | 0.008 | |
| B | 0.250 | 0.380 | | 0.010 | 0.015 | |
| C | 0.130 | 0.220 | | 0.005 | 0.009 | |
| D | 7.070 | 7.330 | | 0.278 | 0.289 | |
| E | 5.200 | 5.380 | | 0.205 | 0.212 | |
| e | 0.650 | 0.650 | Reference | 0.026 | 0.026 | Reference |
| H | 7.650 | 7.900 | | 0.301 | 0.311 | |
| L | 0.550 | 0.950 | | 0.022 | 0.037 | |
| N | 20 | 20 | | 20 | 20 | |
| CP | - | 0.102 | | - | 0.004 | |

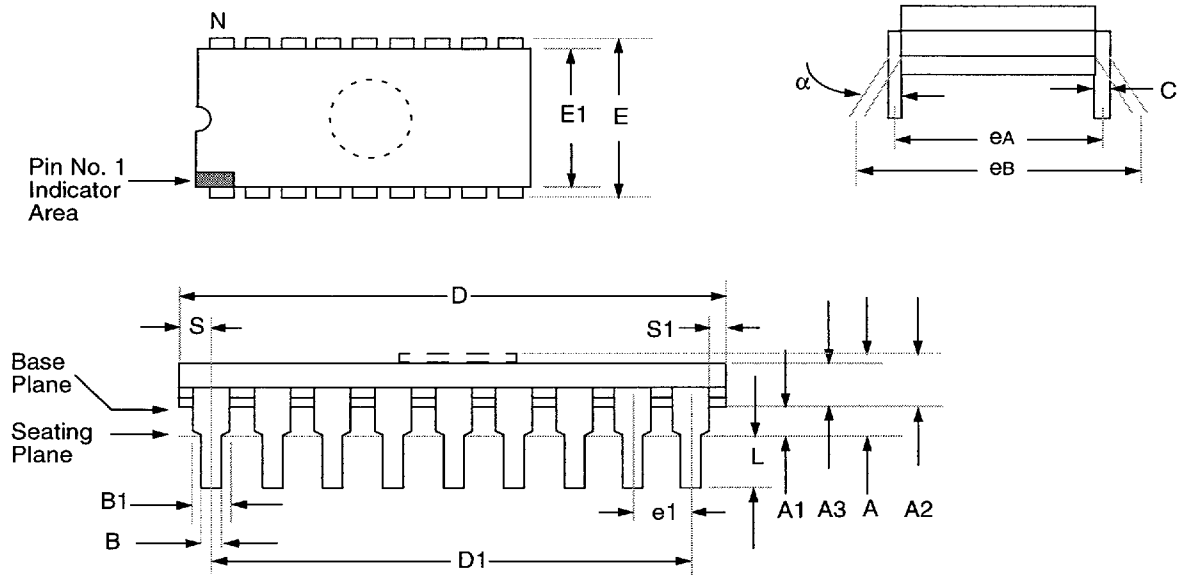
PIC16C5X

14.8 28-Lead Plastic Surface Mount (SSOP) - 209 mil



| Package Group: Plastic SSOP | | | | | | |
|-----------------------------|-------------|--------|-----------|--------|-------|-----------|
| Symbol | Millimeters | | | Inches | | |
| | Min | Max | Notes | Min | Max | Notes |
| α | 0° | 8° | | 0° | 8° | |
| A | 1.730 | 1.990 | | 0.068 | 0.078 | |
| A1 | 0.050 | 0.210 | | 0.002 | 0.008 | |
| B | 0.250 | 0.380 | | 0.010 | 0.015 | |
| C | 0.130 | 0.220 | | 0.005 | 0.009 | |
| D | 10.070 | 10.330 | | 0.396 | 0.407 | |
| E | 5.200 | 5.380 | | 0.205 | 0.212 | |
| e | 0.650 | 0.650 | Reference | 0.026 | 0.026 | Reference |
| H | 7.650 | 7.900 | | 0.301 | 0.311 | |
| L | 0.550 | 0.950 | | 0.022 | 0.037 | |
| N | 28 | 28 | | 28 | 28 | |
| CP | - | 0.102 | | - | 0.004 | |

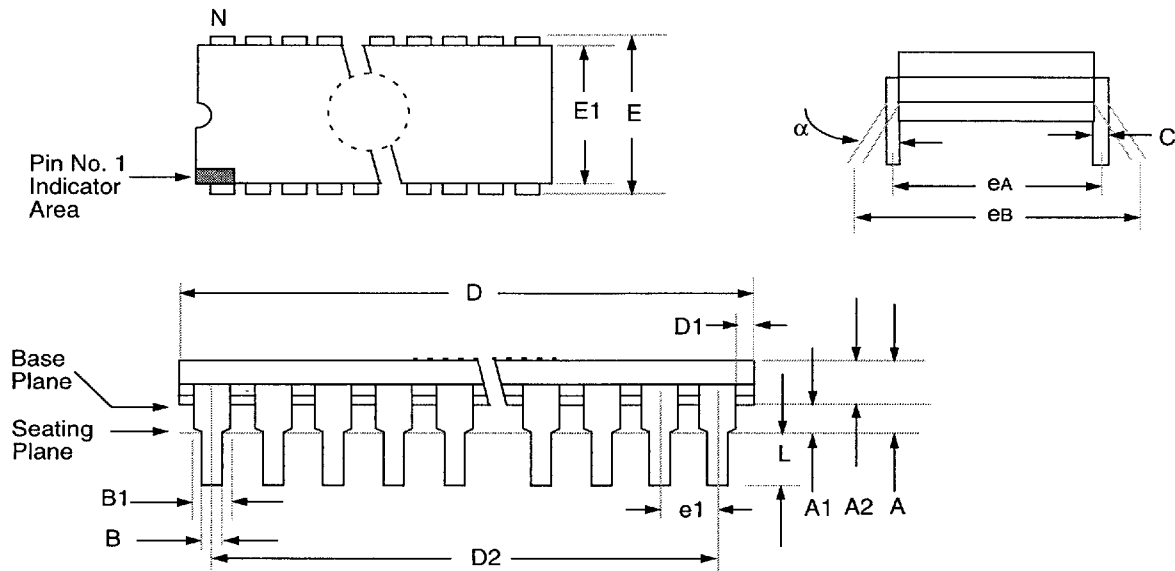
14.9 18-Lead Ceramic Dual In-Line (CERDIP) with Window - 300 mil



| Package Group: Ceramic Dual In-Line (CDP) | | | | | | |
|---|-------------|--------|-----------|--------|-------|-----------|
| Symbol | Millimeters | | | Inches | | |
| | Min | Max | Notes | Min | Max | Notes |
| α | 0° | 10° | | 0° | 10° | |
| A | — | 5.080 | | — | 0.200 | |
| A1 | 0.381 | 1.7780 | | 0.015 | 0.070 | |
| A2 | 3.810 | 4.699 | | 0.150 | 0.185 | |
| A3 | 3.810 | 4.445 | | 0.150 | 0.175 | |
| B | 0.355 | 0.585 | | 0.014 | 0.023 | |
| B1 | 1.270 | 1.651 | Typical | 0.050 | 0.065 | Typical |
| C | 0.203 | 0.381 | Typical | 0.008 | 0.015 | Typical |
| D | 22.352 | 23.622 | | 0.880 | 0.930 | |
| D1 | 20.320 | 20.320 | Reference | 0.800 | 0.800 | Reference |
| E | 7.620 | 8.382 | | 0.300 | 0.330 | |
| E1 | 5.588 | 7.874 | | 0.220 | 0.310 | |
| e1 | 2.540 | 2.540 | Reference | 0.100 | 0.100 | Reference |
| eA | 7.366 | 8.128 | Typical | 0.290 | 0.320 | Typical |
| eB | 7.620 | 10.160 | | 0.300 | 0.400 | |
| L | 3.175 | 3.810 | | 0.125 | 0.150 | |
| N | 18 | 18 | | 18 | 18 | |
| S | 0.508 | 1.397 | | 0.020 | 0.055 | |
| S1 | 0.381 | 1.270 | | 0.015 | 0.050 | |

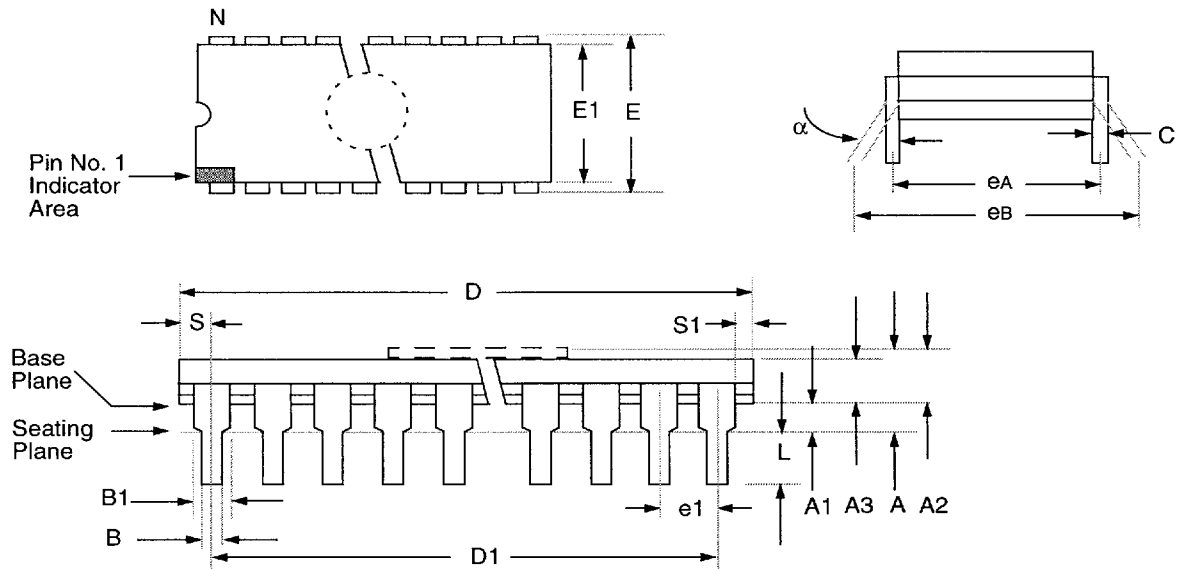
PIC16C5X

14.10 28-Lead Ceramic Dual In-Line (CERDIP) with Window - 300 mil



| Package Group: Ceramic Dual In-Line (CDP) | | | | | | |
|---|-------------|-------|-----------|--------|-------|-----------|
| Symbol | Millimeters | | | Inches | | |
| | Min | Max | Notes | Min | Max | Notes |
| α | 0° | 10° | | 0° | 10° | |
| A | 3.30 | 5.84 | | .130 | 0.230 | |
| A1 | 0.38 | — | | 0.015 | — | |
| A2 | 2.92 | 4.95 | | 0.115 | 0.195 | |
| B | 0.35 | 0.58 | | 0.014 | 0.023 | |
| B1 | 1.14 | 1.78 | Typical | 0.045 | 0.070 | Typical |
| C | 0.20 | 0.38 | Typical | 0.008 | 0.015 | Typical |
| D | 34.54 | 37.72 | | 1.360 | 1.485 | |
| D2 | 32.97 | 33.07 | Reference | 1.298 | 1.302 | Reference |
| E | 7.62 | 8.25 | | 0.300 | 0.325 | |
| E1 | 6.10 | 7.87 | | 0.240 | 0.310 | |
| e | 2.54 | 2.54 | Typical | 0.100 | 0.100 | Typical |
| eA | 7.62 | 7.62 | Reference | 0.300 | 0.300 | Reference |
| eB | — | 11.43 | | — | 0.450 | |
| L | 2.92 | 5.08 | | 0.115 | 0.200 | |
| N | 28 | 28 | | 28 | 28 | |
| D1 | 0.13 | — | | 0.005 | — | |

14.11 28-Lead Ceramic Dual In-Line (CERDIP) with Window - 600 mil



| Package Group: Ceramic Dual In-Line (CDP) | | | | | | |
|---|-------------|--------|-----------|--------|-------|-----------|
| Symbol | Millimeters | | | Inches | | |
| | Min | Max | Notes | Min | Max | Notes |
| α | 0° | 10° | | 0° | 10° | |
| A | — | 5.461 | | — | 0.215 | |
| A1 | 0.381 | 1.524 | | 0.015 | 0.060 | |
| A2 | 3.810 | 4.699 | | 0.150 | 0.185 | |
| A3 | 3.810 | 4.445 | | 0.150 | 0.175 | |
| B | 0.355 | 0.585 | | 0.014 | 0.023 | |
| B1 | 1.270 | 1.651 | Typical | 0.050 | 0.065 | Typical |
| C | 0.203 | 0.381 | Typical | 0.008 | 0.015 | Typical |
| D | 36.195 | 37.465 | | 1.425 | 1.475 | |
| D1 | 33.020 | 33.020 | Reference | 1.300 | 1.300 | Reference |
| E | 15.240 | 15.875 | | 0.600 | 0.625 | |
| E1 | 12.954 | 15.240 | | 0.510 | 0.600 | |
| e1 | 2.540 | 2.540 | Typical | 0.100 | 0.100 | Typical |
| eA | 14.986 | 15.748 | Reference | 0.590 | 0.620 | Reference |
| eB | 15.240 | 18.034 | | 0.600 | 0.710 | |
| L | 3.175 | 3.810 | | 0.125 | 0.150 | |
| N | 28 | 28 | | 28 | 28 | |
| S | 1.016 | 2.286 | | 0.040 | 0.090 | |
| S1 | 0.381 | 1.778 | | 0.015 | 0.070 | |

PIC16C5X

NOTES:

PAGE(S) INTENTIONALLY BLANK

APPENDIX A: COMPATIBILITY

To convert code written for PIC16CXX to PIC16C5X, the user should take the following steps:

1. Check any `CALL`, `GOTO` or instructions that modify the PC to determine if any program memory page select operations (PA2, PA1, PA0 bits) need to be made.
2. Revisit any computed jump operations (write to PC or add to PC, etc.) to make sure page bits are set properly under the new scheme.
3. Eliminate any special function register page switching. Redefine data variables to reallocate them.
4. Verify all writes to STATUS, OPTION, and FSR registers since these have changed.
5. Change reset vector to proper value for processor used.
6. Remove any use of the `ADDLW` and `SUBLW` instructions.
7. Rewrite any code segments that use interrupts.

APPENDIX B: WHAT'S NEW

B.1 Format

The format of this data sheet has been changed to be consistent with other product families. This ensures that important topics are covered across all PIC16/17 families. Here is an overview list of new features:

- Data Sheet Structure / Outline
- Consistent Figures and Tables

B.2 Additions

Items that have been added to this data sheet are:

- PIC16CR54 data
- PIC16C5X-10 data
- PIC16C5X/JW package information

PIC16C5X

APPENDIX C: WHAT'S CHANGED

Changes to this version of the PIC16C5X data sheet are:

- Correction of the 28-lead SSOP package pin-out
- Inclusion of errata sheet information

APPENDIX D: PIC16/17 MICROCONTROLLERS

TABLE D-1: PIC16C5X FAMILY OF DEVICES

| Device | Clock | | Memory | | Peripherals | | Features | |
|---------------|--------------------------------------|------------------------|-------------------------|------------------|-------------|-----------------------|------------------------|-------------------------------|
| | Maximum Frequency of Operation (MHz) | Program Memory (words) | RAM Data Memory (bytes) | Timer Modules(s) | I/O Pins | Voltage Range (Volts) | Number of Instructions | Packages |
| PIC16C54 | 20 | 512 | — | 25 | TMR0 | 2.5-6.25 | 33 | 18-pin DIP, SOIC; 20-pin SSOP |
| PIC16C54A | 20 | 512 | — | 25 | TMR0 | 2.5-6.25 | 33 | 18-pin DIP, SOIC; 20-pin SSOP |
| PIC16CR54(2) | 20 | — | 512 | 25 | TMR0 | 2.0-6.25 | 33 | 18-pin DIP, SOIC; 20-pin SSOP |
| PIC16CR54A | 20 | — | 512 | 25 | TMR0 | 2.0-6.25 | 33 | 18-pin DIP, SOIC; 20-pin SSOP |
| PIC16CR54B(1) | 20 | — | 512 | 25 | TMR0 | 2.5-6.25 | 33 | 18-pin DIP, SOIC; 20-pin SSOP |
| PIC16C55 | 20 | 512 | — | 24 | TMR0 | 2.5-6.25 | 33 | 28-pin DIP, SOIC, SSOP |
| PIC16C56 | 20 | 1K | — | 25 | TMR0 | 2.5-6.25 | 33 | 18-pin DIP, SOIC; 20-pin SSOP |
| PIC16CR56(1) | 20 | — | 1K | 25 | TMR0 | 2.5-6.25 | 33 | 18-pin DIP, SOIC; 20-pin SSOP |
| PIC16C57 | 20 | 2K | — | 72 | TMR0 | 2.5-6.25 | 33 | 28-pin DIP, SOIC, SSOP |
| PIC16CR57A(2) | 20 | — | 2K | 72 | TMR0 | 2.5-6.25 | 33 | 28-pin DIP, SOIC, SSOP |
| PIC16CR57B | 20 | — | 2K | 72 | TMR0 | 2.5-6.25 | 33 | 28-pin DIP, SOIC, SSOP |
| PIC16C58A | 20 | 2K | — | 73 | TMR0 | 2.5-6.25 | 33 | 18-pin DIP, SOIC; 20-pin SSOP |
| PIC16CR58A | 20 | — | 2K | 73 | TMR0 | 2.5-6.25 | 33 | 18-pin DIP, SOIC; 20-pin SSOP |
| PIC16CR58B(1) | 20 | — | 2K | 73 | TMR0 | 2.5-6.25 | 33 | 18-pin DIP, SOIC; 20-pin SSOP |

All PIC16/17 Family devices have Power-On Reset, selectable Watchdog Timer, selectable code protect and high I/O current capability.

Note 1: Please contact your local sales office for availability of these devices.

2: Not recommended for new designs.

PIC16C7X

TABLE D-2: PIC16C62X FAMILY OF DEVICES

| | Clock | | Memory | | Peripherals | | | Features | | | | |
|-----------|--------------------------------------|-------------------------|----------------------|---------------|---------------|----------------------------|----------|-----------------------|-------------------------------|-----------------|----------|-------------------------------|
| | Maximum Frequency of Operation (MHz) | Program Memory (Kbytes) | Data Memory (Kbytes) | Timer Modules | Comparator(s) | Internal Reference Voltage | I/O Pins | Voltage Range (Volts) | In-Circuit Serial Programming | Brown-out Reset | Packages | |
| PIC16C620 | 20 | 512 | 80 | TMR0 | 2 | Yes | 4 | 13 | 3.0-6.0 | Yes | Yes | 18-pin DIP; SOIC; 20-pin SSOP |
| PIC16C621 | 20 | 1K | 80 | TMR0 | 2 | Yes | 4 | 13 | 3.0-6.0 | Yes | Yes | 18-pin DIP; SOIC; 20-pin SSOP |
| PIC16C622 | 20 | 2K | 128 | TMR0 | 2 | Yes | 4 | 13 | 3.0-6.0 | Yes | Yes | 18-pin DIP; SOIC; 20-pin SSOP |

All PIC16/17 Family devices have Power-on Reset, selectable Watchdog Timer, selectable code protect and high I/O current capability.

All PIC16CXX Family devices use serial programming with clock pin RB6 and data pin RB7.

TABLE D-3: PIC16C6X FAMILY OF DEVICES

| Device | Clock | | | Memory | | | Peripherals | | | | Features | | |
|--------------------------|--------------------------------------|----------------|---------------------|---------------|---------------------|--|---|----------|-----------------------|-------------------------------|-----------------|----------|--|
| | Maximum Frequency of Operation (MHz) | Program Memory | | Timer Modules | | Serial Ports (SPI ² /I ² C, USART) | Parallel Slave Port | I/O Pins | Voltage Range (Volts) | In-Circuit Serial Programming | Brown-out Reset | Packages | |
| | | EPROM | Data Memory (bytes) | ROM | Data Memory (bytes) | | | | | | | | |
| PIC16C61 | 20 | 1K | — | 36 | TMR0 | — | — | 3 | 13 | 3.0-6.0 | Yes | — | 18-pin DIP, SOIC |
| PIC16C62 | 20 | 2K | — | 128 | TMR0, TMR1, TMR2 | 1 | SPI ² /I ² C | 7 | 22 | 3.0-6.0 | Yes | — | 28-pin SDIP, SOIC, SSOP |
| PIC16C62A ⁽¹⁾ | 20 | 2K | — | 128 | TMR0, TMR1, TMR2 | 1 | SPI ² /I ² C | 7 | 22 | 3.0-6.0 | Yes | Yes | 28-pin SDIP, SOIC, SSOP |
| PIC16CR62 ⁽¹⁾ | 20 | — | 2K | 128 | TMR0, TMR1, TMR2 | 1 | SPI ² /I ² C | 7 | 22 | 3.0-6.0 | Yes | Yes | 28-pin SDIP, SOIC, SSOP |
| PIC16C63 ⁽¹⁾ | 20 | 4K | — | 192 | TMR0, TMR1, TMR2 | 2 | SPI ² /I ² C, USART | 10 | 22 | 3.0-6.0 | Yes | Yes | 28-pin SDIP, SOIC |
| PIC16C64 | 20 | 2K | — | 128 | TMR0, TMR1, TMR2 | 1 | SPI ² /I ² C | 8 | 33 | 3.0-6.0 | Yes | — | 40-pin DIP; 44-pin PLCC, MQFP |
| PIC16C64A ⁽¹⁾ | 20 | 2K | — | 128 | TMR0, TMR1, TMR2 | 1 | SPI ² /I ² C | 8 | 33 | 3.0-6.0 | Yes | Yes | 40-pin DIP; 44-pin PLCC, MQFP, TQFP |
| PIC16CR64 ⁽¹⁾ | 20 | — | 2K | 128 | TMR0, TMR1, TMR2 | 1 | SPI ² /I ² C | 8 | 33 | 3.0-6.0 | Yes | Yes | 40-pin DIP; 44-pin PLCC, MQFP |
| PIC16C65 | 20 | 4K | — | 192 | TMR0, TMR1, TMR2 | 2 | SPI ² /I ² C, USART | 11 | 33 | 3.0-6.0 | Yes | — | 40-pin DIP; 44-pin PLCC, MQFP |
| PIC16C65A ⁽¹⁾ | 20 | 4K | — | 192 | TMR0, TMR1, TMR2 | 2 | SPI ² /I ² C, USART | 11 | 33 | 3.0-6.0 | Yes | Yes | 40-pin DIP; 44-pin PLCC, MQFP, TQFP |

All PIC16/17 family devices have Power-on Reset, selectable Watchdog Timer, selectable code protect, and high I/O current capability.

All PIC16CXX family devices use serial programming with clock pin RB6 and data pin RB7.

Note 1: Please contact your local sales office for availability of these devices.



PIC16C7X

TABLE D-4: PIC16C7X FAMILY OF DEVICES

| Device | Clock | | Memory | | Peripherals | | | | | Features | | | | |
|--------------|--------------------------------------|-------------------------|---------------------|---------------------|--|--------------------------------|--------------------------------|---------------------|-------------------|----------|-----------------------|-------------------------------|-----------------|--|
| | Maximum Frequency of Operation (MHz) | Program Memory (Kbytes) | Data Memory (bytes) | Timer Modules | Serial Ports (SPI/I ² C, USART) | Capture/Compare/PWM Modules | A/D Converter (8-bit Channels) | Parallel Slave Port | Interrupt Sources | I/O Pins | Voltage Range (Volts) | In-Circuit Serial Programming | Brown-out Reset | Packages |
| PIC16C70(1) | 20 | 512 | 36 | TMR0 | — | — | — | 4 | 4 | 13 | 3.0-6.0 | Yes | Yes | 18-pin DIP, SOIC; 20-pin SSOP |
| PIC16C71 | 20 | 1K | 36 | TMR0 | — | — | — | 4 | 4 | 13 | 3.0-6.0 | Yes | — | 18-pin DIP, SOIC |
| PIC16C71A(1) | 20 | 1K | 68 | TMR0 | — | — | — | 4 | 4 | 13 | 3.0-6.0 | Yes | Yes | 18-pin DIP, SOIC; 20-pin SSOP |
| PIC16C72(1) | 20 | 2K | 128 | TMR0, TMR1, TMR2 | 1 | SPI/I ² C | — | 5 | 8 | 22 | 3.0-6.0 | Yes | Yes | 28-pin SDIP, SOIC, SSOP |
| PIC16C73 | 20 | 4K | 192 | TMR0, TMR1, TMR2 | 2 | SPI/I ² C, USART | — | 5 | 11 | 22 | 3.0-6.0 | Yes | — | 28-pin SDIP, SOIC |
| PIC16C73A(1) | 20 | 4K | 192 | TMR0, TMR1, TMR2 | 2 | SPI/I ² C, USART | — | 5 | 11 | 22 | 3.0-6.0 | Yes | Yes | 28-pin SDIP, SOIC |
| PIC16C74 | 20 | 4K | 192 | TMR0, TMR1, TMR2 | 2 | SPI/I ² C, USART | Yes | 8 | 12 | 33 | 3.0-6.0 | Yes | — | 40-pin DIP; 44-pin PLCC, MQFP |
| PIC16C74A(1) | 20 | 4K | 192 | TMR0, TMR1, TMR2 | 2 | SPI/I ² C, USART | Yes | 8 | 12 | 33 | 3.0-6.0 | Yes | Yes | 40-pin DIP; 44-pin PLCC, MQFP, TQFP |

All PIC16/17 Family devices have Power-on Reset, selectable Watchdog Timer, selectable code protect and high I/O current capability.
 All PIC16CXX Family devices use serial programming with clock pin RB6 and data pin RB7.

Note 1: Please contact your local sales office for availability of these devices.



TABLE D-5: PIC16C8X FAMILY OF DEVICES

| Device | Clock | | Memory | | Peripherals | | Features | | | | |
|--------------------------|--------------------------------------|----------------|---------------------|---------------------|-----------------|-------------------|----------|-----------------------|-----|---------|------------------|
| | Maximum Frequency of Operation (MHz) | Program Memory | Data Memory (bytes) | Data EEPROM (bytes) | Timer Module(s) | Interrupt Sources | I/O Pins | Voltage Range (Volts) | | | |
| PIC16C83 ⁽¹⁾ | 10 | 512 | — | 36 | 64 | TMR0 | 4 | 13 | Yes | 2.0-6.0 | 18-pin DIP, SOIC |
| PIC16CR83 ⁽¹⁾ | 10 | — | 512 | 36 | 64 | TMR0 | 4 | 13 | Yes | 2.0-6.0 | 18-pin DIP, SOIC |
| PIC16C84 | 10 | 1K | — | 36 | 64 | TMR0 | 4 | 13 | Yes | 2.0-6.0 | 18-pin DIP, SOIC |
| PIC16C84A ⁽¹⁾ | 10 | 1K | — | 68 | 64 | TMR0 | 4 | 13 | Yes | 2.0-6.0 | 18-pin DIP, SOIC |
| PIC16CR84 ⁽¹⁾ | 10 | — | 1K | 68 | 64 | TMR0 | 4 | 13 | Yes | 2.0-6.0 | 18-pin DIP, SOIC |

All PIC16/17 family devices have Power-on Reset, selectable Watchdog Timer, selectable code protect, and high I/O current capability.

All PIC16CXX family devices use serial programming with clock pin RB6 and data pin RB7.

Note 1: Please contact your local sales office for availability of these devices.

PIC16C7X

TABLE D-6: PIC17CXX FAMILY OF DEVICES

| Device | Clock | | Memory | | Peripherals | | | | Features | | | | | |
|----------|--------------------------------------|------------------------|-------------------------|------------------------|---------------|----------------------|---------------------|----------|-----------------------|-----------------------------|-------------------------------|------------------------|----------|-------------------------------|
| | Maximum Frequency of Operation (MHz) | Program Memory (bytes) | RAM Data Memory (bytes) | Timer Modules | Captures/PWMs | Serial Ports (USART) | External Interrupts | I/O Pins | Voltage Range (Volts) | Single Instruction Multiply | In-Circuit Serial Programming | Number of Instructions | Packages | |
| PIC17C42 | 25 | 2K | 232 | TMR0, TMR1, TMR2, TMR3 | 2 | Yes | Yes | 11 | 33 | 4.5-5.5 | Yes | Yes | 55 | 40-pin DIP; 44-pin PLCC, MQFP |
| PIC17C43 | 25 | 4K | 454 | TMR0, TMR1, TMR2, TMR3 | 2 | Yes | Yes | 11 | 33 | 2.5-6.0 | Yes | Yes | 58 | 40-pin DIP; 44-pin PLCC, TQFP |
| PIC17C44 | 25 | 8K | 454 | TMR0, TMR1, TMR2, TMR3 | 2 | Yes | Yes | 11 | 33 | 2.5-6.0 | Yes | Yes | 58 | 40-pin DIP; 44-pin PLCC, TQFP |

All PIC16/17 Family devices have Power-on Reset, selectable Watchdog Timer, selectable code protect and high I/O current capability.



D.1 Pin Compatibility

Devices that have the same package type and VDD, Vss and MCLR pin locations are said to be pin compatible. This allows these different devices to operate in the same socket. Compatible devices may only require minor software modification to allow proper operation in the application socket (ex., PIC16C56 and PIC16C61 devices). Not all devices in the same package size are pin compatible; for example, the PIC16C62 is compatible with the PIC16C63, but not the PIC16C55.

Pin compatibility does not mean that the devices offer the same features. As an example, the PIC16C54 is pin compatible with the PIC16C71, but does not have an A/D converter, weak pull-ups on PORTB, or interrupts.

TABLE D-7: PIN COMPATIBLE DEVICES

| Pin Compatible Devices | Package |
|--|--------------------|
| PIC16C54, PIC16C54A, PIC16CR54, PIC16CR54A, PIC16CR54B, PIC16C56, PIC16CR56, PIC16C58A, PIC16CR58A, PIC16CR58B, PIC16C61, PIC16C620, PIC16C621, PIC16C622, PIC16C70, PIC16C71, PIC16C71A PIC16C83, PIC16CR83, PIC16C84, PIC16C84A, PIC16CR84 | 18 pin (20 pin) |
| PIC16C55, PIC16CR55, PIC16C57, PIC16CR57A, PIC16CR57B | 28 pin |
| PIC16C62, PIC16CR62, PIC16C62A, PIC16C63, PIC16C72, PIC16C73, PIC16C73A | 28 pin |
| PIC16C64, PIC16CR64, PIC16C64A, PIC16C65, PIC16C65A, PIC16C74, PIC16C74A | 40 pin |
| PIC17C42, PIC17C43, PIC17C44 | 40 pin |

PIC16C7X

NOTES:

PAGE(S) INTENTIONALLY BLANK

INDEX

A

| | |
|--------------------------------|----|
| Absolute Maximum Ratings | 57 |
| ALU | 7 |
| Applications | 3 |
| Architectural Overview | 7 |
| Assembler | 54 |

B

| | |
|------------------------------------|----|
| Block Diagram | |
| On-Chip Reset Circuit | 31 |
| PIC16C5X Series | 8 |
| Timer0 | 23 |
| TMR0/WDT Prescaler | 26 |
| Watchdog Timer | 35 |
| Brown-Out Protection Circuit | 36 |

C

| | |
|---------------------------------|--------|
| C Compiler (MP-C) | 51, 55 |
| Carry | 7 |
| Clocking Scheme | 11 |
| Code Protection | 27, 37 |
| Configuration Bits | 27 |
| Configuration Word | |
| PIC16C54/CR54/C55/C56/C57 | 27 |

D

| | |
|--|--------------------|
| DC Characteristics | 59, 60, 61, 62, 63 |
| Development Support | 51 |
| Development Systems | 55 |
| Development Tools | 51 |
| Device Drawings | |
| 18-Lead Ceramic Dual In-Line (CERDIP) | |
| with Window - 300 mil | 111 |
| 18-Lead Plastic Dual In-Line (PDIP) - 300 mil | 104 |
| 18-Lead Plastic Surface Mount (SOIC) - 300 mil | 107 |
| 20-Lead Plastic Surface Mount (SSOP) - 209 mil | 109 |
| 28-Lead Ceramic CERDIP Dual In-line | |
| with Window (300 mil) | 112 |
| 28-Lead Ceramic Dual In-Line (CERDIP) | |
| with Window - 600 mil | 113 |
| 28-Lead Plastic Dual In-Line (PDIP) - 300 mil | 105 |
| 28-Lead Plastic Dual In-Line (PDIP) - 600 mil | 106 |
| 28-Lead Plastic Surface Mount (SOIC) - 300 mil | 108 |
| 28-Lead Plastic Surface Mount (SSOP) - 209 mil | 110 |
| Device Varieties | 5 |
| Digit Carry | 7 |
| Dynamic Data Exchange (DDE) | 51 |

E

| | |
|---------------------------------------|----|
| Electrical Characteristics | 57 |
| External Power-On Reset Circuit | 32 |

F

| | |
|--|--------|
| Family of Devices | 4 |
| PIC16C5X | 117 |
| PIC17CXX | 122 |
| Features | 1 |
| FSR | 20, 31 |
| Fuzzy Logic Dev. System (<i>fuzzyTECH</i> ®-MP) | 51, 55 |

I

| | |
|--------------------------------------|--------|
| I/O Interfacing | 21 |
| I/O Ports | 21 |
| I/O Programming Considerations | 22 |
| ID Locations | 37 |
| ID locations | 27 |
| INDF | 20, 31 |
| Indirect Data Addressing | 20 |
| Instruction Cycle | 11 |
| Instruction Flow/Pipelining | 11 |
| Instruction Set Summary | 40 |
| Integrated | 54 |

L

| | |
|---|----|
| Loading of PC | 18 |
| Loading of PC Branch Instructions | 18 |

M

| | |
|--------------------------------|--------|
| <u>MCLR</u> | 31 |
| Memory Organization | 13 |
| Data Memory | 13 |
| Program Memory | 13 |
| MPASM Assembler | 51, 54 |
| MP-C C Compiler | 55 |
| MPSIM Software Simulator | 51, 55 |

O

| | |
|---|----|
| One-Time-Programmable (OTP) Devices | 5 |
| OPTION Register | 17 |
| OSC selection | 27 |
| Oscillator Configurations | 28 |
| Oscillator Types | |
| HS | 28 |
| LP | 28 |
| RC | 28 |
| XT | 28 |

P

| | |
|---|------------|
| Packaging Information | 101 |
| PCL | 31 |
| PIC16C5X DC and AC Characteristics | 71 |
| PICDEM-1 Low-Cost PIC16/17 Demo Board | 51, 53 |
| PICDEM-2 Low-Cost PIC16CXX Demo Board | 51, 53 |
| PICMASTER Probes | 52 |
| PICMASTER System Configuration | 51 |
| PICMASTER™ RT In-Circuit Emulator | 51 |
| PICSTART™ Low-Cost Development System | 51, 53 |
| Pin Compatible Devices | 123 |
| Pinout Description | 9, 10 |
| POR | |
| Oscillator Start-Up Timer (OST) | 27, 32, 34 |
| PD | 30, 36 |
| Power-On Reset (POR) | 27, 31, 32 |
| TO | 30, 36 |
| PORTA | 21, 31 |
| PORTB | 21, 31 |
| PORTC | 21, 31 |
| Power-Down Mode | 37 |
| Prescaler | 26 |
| PRO MATE™ Universal Programmer | 51, 53 |

Q

| | |
|---|---|
| Quick-Turnaround-Production (QTP) Devices | 5 |
|---|---|

PIC16C5X

R

| | |
|--------------------------|--------|
| RC Oscillator | 30 |
| Read Modify Write | 22 |
| Reset | 27, 30 |
| Reset on Brown-Out | 36 |

S

| | |
|--|--------|
| Serialized Quick-Turnaround-Production (SQTP) Devices .. | 5 |
| SLEEP | 27, 37 |
| Software Simulator (MPSIM) | 55 |
| Special Features of the CPU | 27 |
| STATUS | 7, 31 |
| STATUS Word Register | 16 |
| Summary of Port Registers | 21 |

T

| | |
|---|--------|
| Timer0 | |
| Switching Prescaler Assignment | 26 |
| Timer0 | 23 |
| Timer0 (TMR0) Module | 23 |
| TMR0 with External Clock | 25 |
| Timing Diagrams and Specifications | 65, 86 |
| Timing Parameter Symbology and Load Conditions | 64, 85 |
| TRIS Registers | 21 |

U

| | |
|---------------------------|---|
| UV Erasable Devices | 5 |
|---------------------------|---|

W

| | |
|----------------------------------|--------|
| W | 31 |
| Wake-up from SLEEP | 37 |
| Watchdog Timer (WDT) | 27, 34 |
| Period | 34 |
| Programming Considerations | 34 |

Z

| | |
|----------------|---|
| Zero bit | 7 |
|----------------|---|

LIST OF EXAMPLES

| | |
|---|----|
| Example 3-1: Instruction Pipeline Flow | 11 |
| Example 4-1: Indirect Addressing..... | 20 |
| Example 4-2: How To Clear RAM Using Indirect Addressing | 20 |
| Example 5-1: Read-Modify-Write Instructions on an I/O Port | 22 |
| Example 6-1: Changing Prescaler (Timer0→WDT)..... | 26 |
| Example 6-2: Changing Prescaler (WDT→Timer0)..... | 26 |

LIST OF FIGURES

| | |
|--|----|
| Figure 3-1: PIC16C5X Series Block Diagram | 8 |
| Figure 3-2: Clock/Instruction Cycle | 11 |
| Figure 4-1: PIC16C54/CR54/C55 Program Memory Map and Stack..... | 13 |
| Figure 4-2: PIC16C56 Program Memory Map and Stack..... | 13 |
| Figure 4-3: PIC16C57 Program Memory Map and Stack..... | 13 |
| Figure 4-4: PIC16C54/CR54/C56 Register File Map | 14 |
| Figure 4-5: PIC16C55 Register File Map | 14 |
| Figure 4-6: PIC16C57 Register File Map | 14 |
| Figure 4-7: STATUS Register (Address:03h)..... | 16 |
| Figure 4-8: OPTION Register..... | 17 |
| Figure 4-9: Loading of PC Branch Instructions - PIC16C54/CR54/C55 | 18 |
| Figure 4-10: Loading of PC Branch Instructions - PIC16C56 | 18 |
| Figure 4-11: Loading of PC Branch Instructions - PIC16C57 | 18 |
| Figure 4-12: Direct/Indirect Addressing..... | 20 |
| Figure 5-1: Equivalent Circuit for a Single I/O Pin..... | 21 |
| Figure 5-2: Successive I/O Operation..... | 22 |
| Figure 6-1: Timer0 Block Diagram | 23 |
| Figure 6-2: Electrical Structure of T0CKI Pin | 23 |
| Figure 6-3: Timer0 Timing: Internal Clock/No Prescale | 24 |
| Figure 6-4: Timer0 Timing: Internal Clock/Prescale 1:2..... | 24 |
| Figure 6-5: Timer0 Timing With External Clock | 25 |
| Figure 6-6: Block Diagram of the Timer0/WDT Prescaler | 26 |
| Figure 7-1: Configuration Word for PIC16C54/CR54/C55/C56/C57 | 27 |
| Figure 7-2: Crystal Operation or Ceramic Resonator (HS, XT or LP OSC Configuration) | 28 |
| Figure 7-3: External Clock Input Operation (HS, XT or LP OSC Configuration) | 28 |
| Figure 7-4: External Parallel Resonant Crystal Oscillator Circuit..... | 29 |
| Figure 7-5: External Series Resonant Crystal Oscillator Circuit..... | 29 |
| Figure 7-6: RC Oscillator Mode..... | 30 |
| Figure 7-7: Simplified Block Diagram of On-Chip Reset Circuit..... | 31 |
| Figure 7-8: Electrical Structure of MCLR/VPP Pin | 32 |
| Figure 7-9: External Power-On Reset Circuit (For Slow VDD Power-Up)..... | 32 |
| Figure 7-10: Time-Out Sequence on Power-Up (MCLR Not Tied to VDD)..... | 33 |
| Figure 7-11: Time-Out Sequence on Power-Up (MCLR Tied to VDD): Fast VDD Rise Time | 33 |

| | | | |
|--|----|---|----|
| Figure 7-12: Time-Out Sequence on Power-Up (MCLR Tied to VDD): Slow VDD Rise Time | 33 | Figure 13-4: Typical RC Oscillator Frequency vs. VDD, CEXT = 300 pF | 93 |
| Figure 7-13: Watchdog Timer Block Diagram | 35 | Figure 13-5: Typical IPD vs. VDD, Watchdog Enabled | 93 |
| Figure 7-14: Brown-Out Protection Circuit 1 | 36 | Figure 13-6: Maximum IPD vs. VDD, Watchdog Enabled | 93 |
| Figure 7-15: Brown-Out Protection Circuit 2 | 36 | Figure 13-7: VTH (Input Threshold Voltage) of I/O Pins vs. VDD | 94 |
| Figure 8-1: General Format for Instructions | 39 | Figure 13-8: VIH, VIL of MCLR, T0CKI and OSC1 (in RC Mode) vs. VDD | 94 |
| Figure 9-1: PICMASTER System Configuration | 51 | Figure 13-9: VTH (Input Threshold Voltage) of OSC1 Input (in XT, HS, and LP modes) vs. VDD | 94 |
| Figure 10-1: Load Conditions - PIC16C54/55/56/57 | 64 | Figure 13-10: Typical IDD vs. Frequency (External Clock 25°C) | 95 |
| Figure 10-2: External Clock Timing - PIC16C54/55/56/57 | 65 | Figure 13-11: Maximum IDD vs. Frequency (External Clock -40°C to +85°C) | 96 |
| Figure 10-3: CLKOUT and I/O Timing - PIC16C54/55/56/57 | 67 | Figure 13-12: WDT Timer Time-out Period vs. VDD | 97 |
| Figure 10-4: Reset, Watchdog Timer, and Device Reset Timer Timing - PIC16C54/55/56/57 | 68 | Figure 13-13: Transconductance (gm) of HS Oscillator vs. VDD | 97 |
| Figure 10-5: Timer0 Clock Timings - PIC16C54/55/56/57 | 69 | Figure 13-14: Transconductance (gm) of LP Oscillator vs. VDD | 98 |
| Figure 11-1: Typical RC Oscillator Frequency vs. Temperature | 71 | Figure 13-15: Transconductance (gm) of XT Oscillator vs. VDD | 98 |
| Figure 11-2: Typical RC Oscillator Frequency vs. VDD, CEXT = 20 pF | 72 | Figure 13-16: IOH vs. VOH, VDD = 3 V | 98 |
| Figure 11-3: Typical RC Oscillator Frequency vs. VDD, CEXT = 100 pF | 72 | Figure 13-17: IOH vs. VOH, VDD = 5 V | 98 |
| Figure 11-4: Typical RC Oscillator Frequency vs. VDD, CEXT = 300 pF | 72 | Figure 13-18: IOL vs. VOL, VDD = 3 V | 99 |
| Figure 11-5: Typical IPD vs. VDD, Watchdog Disabled | 73 | Figure 13-19: IOL vs. VOL, VDD = 5 V | 99 |
| Figure 11-6: Maximum IPD vs. VDD, Watchdog Disabled | 73 | | |
| Figure 11-7: Typical IPD vs. VDD, Watchdog Enabled | 73 | | |
| Figure 11-8: Maximum IPD vs. VDD, Watchdog Enabled | 73 | | |
| Figure 11-9: VTH (Input Threshold Voltage) of I/O Pins vs. VDD | 74 | | |
| Figure 11-10: VIH, VIL of MCLR, T0CKI and OSC1 (in RC Mode) vs. VDD | 74 | | |
| Figure 11-11: VTH (Input Threshold Voltage) of OSC1 Input (in XT, HS, and LP modes) vs. VDD | 74 | | |
| Figure 11-12: Typical IDD vs. Frequency (External Clock, 25°C) | 75 | | |
| Figure 11-13: Maximum IDD vs. Frequency (External Clock, -40°C to +85°C) | 75 | | |
| Figure 11-14: Maximum IDD vs. Frequency (External Clock -55°C to +125°C) | 76 | | |
| Figure 11-15: WDT Timer Time-out Period vs. VDD | 76 | | |
| Figure 11-16: Transconductance (gm) of HS Oscillator vs. VDD | 76 | | |
| Figure 11-17: Transconductance (gm) of LP Oscillator vs. VDD | 77 | | |
| Figure 11-18: IOH vs. VOH, VDD = 3 V | 77 | | |
| Figure 11-19: Transconductance (gm) of XT Oscillator vs. VDD | 77 | | |
| Figure 11-20: IOH vs. VOH, VDD = 5 V | 77 | | |
| Figure 11-21: IOL vs. VOL, VDD = 3 V | 78 | | |
| Figure 11-22: IOL vs. VOL, VDD = 5 V | 78 | | |
| Figure 12-1: Load Conditions | 85 | | |
| Figure 12-2: External Clock Timing - PIC16CR54 | 86 | | |
| Figure 12-3: CLKOUT and I/O Timing - PIC16CR54 | 88 | | |
| Figure 12-4: Reset, Watchdog Timer, and Device Reset Timer Timing - PIC16CR54 | 89 | | |
| Figure 12-5: Timer0 Clock Timings - PIC16CR54 | 90 | | |
| Figure 13-1: Typical RC Oscillator Frequency vs. Temperature | 91 | | |
| Figure 13-2: Typical RC Oscillator Frequency vs. VDD, CEXT = 20 pF | 92 | | |
| Figure 13-3: Typical RC Oscillator Frequency vs. VDD, CEXT = 100 pF | 92 | | |

LIST OF TABLES

| | |
|---|----|
| Table 1-1: PIC16C5X Family of Devices | 4 |
| Table 3-1: PIC16C54/CR54/C56 Pinout Description | 9 |
| Table 3-2: PIC16C55/C57 Pinout Description | 10 |
| Table 4-1: Special Function Register Summary | 15 |
| Table 5-1: Summary of Port Registers | 21 |
| Table 6-1: Registers Associated With Timer0 | 24 |
| Table 7-1: Capacitor Selection For Ceramic Resonators - PIC16C54/55/56/57 | 28 |
| Table 7-2: Capacitor Selection For Crystal Oscillator - PIC16C54/55/56/57 .. | 28 |
| Table 7-3: Capacitor Selection For Ceramic Resonators - PIC16CR54 | 29 |
| Table 7-4: Capacitor Selection For Crystal Oscillator - PIC16CR54 | 29 |
| Table 7-5: Reset Conditions for Special Registers | 31 |
| Table 7-6: Reset Conditions for All Registers | 31 |
| Table 7-7: Summary of Registers Associated with the Watchdog Timer | 35 |
| Table 7-8: TO/PD Status After Reset | 36 |
| Table 7-9: Events Affecting TO/PD Status Bits | 36 |
| Table 8-1: OPCODE Field Descriptions | 39 |
| Table 8-2: Instruction Set Summary | 40 |
| Table 9-1: PICMASTER Probe Specification | 52 |
| Table 9-2: Development System Packages | 55 |
| Table 10-1: Cross Reference of Device Specs for Oscillator Configurations (RC, XT & 10) and Frequencies of Operation (Commercial Devices) | 58 |
| Table 10-2: Cross Reference of Device Specs for Oscillator Configurations (HS, LP & JW) and Frequencies of Operation (Commercial Devices) | 58 |
| Table 10-3: External Clock Timing Requirements - PIC16C54/55/56/57 | 65 |
| Table 10-4: CLKOUT and I/O Timing Requirements - PIC16C54/55/56/57 | 67 |

PIC16C5X

| | |
|--|-----|
| Table 10-5: Reset, Watchdog Timer, and Device Reset Timer - PIC16C54/55/56/57 | 68 |
| Table 10-6: Timer0 Clock Requirements - PIC16C54/55/56/57 | 69 |
| Table 11-1: RC Oscillator Frequencies | 71 |
| Table 11-2: Input Capacitance for PIC16C54/56 | 78 |
| Table 11-3: Input Capacitance for PIC16C55/57 | 78 |
| Table 12-1: Cross Reference of Device Specs for Oscillator Configurations and Frequencies of Operation (Commercial Devices)..... | 80 |
| Table 12-2: External Clock Timing Requirements - PIC16CR54 | 86 |
| Table 12-3: CLKOUT and I/O Timing Requirements - PIC16CR54 | 88 |
| Table 12-4: Reset, Watchdog Timer, and Device Reset Timer - PIC16CR54 | 89 |
| Table 12-5: Timer0 Clock Requirements - PIC16CR54 | 90 |
| Table 13-1: RC Oscillator Frequencies | 91 |
| Table 13-2: Input Capacitance for PIC16CR54..... | 99 |
| Table D-1: PIC16C5X Family of Devices..... | 117 |
| Table D-2: PIC16C62X Family of Devices..... | 118 |
| Table D-3: PIC16C6X Family of Devices..... | 119 |
| Table D-4: PIC16C7X Family of Devices..... | 120 |
| Table D-5: PIC16C8X Family of Devices..... | 121 |
| Table D-6: PIC17CXX Family of Devices | 122 |
| Table D-7: Pin Compatible Devices | 123 |

CONNECTING TO MICROCHIP BBS

Connect worldwide to the Microchip BBS using the CompuServe® communications network. In most cases a local call is your only expense. The Microchip BBS connection does not use CompuServe membership services, therefore, **you do not need CompuServe membership to join Microchip's BBS.**

There is **no charge** for connecting to the BBS, except toll charge to CompuServe access number, where applicable. You do not need to be a CompuServe member to take advantage of this connection (you never actually log in to CompuServe).

The procedure to connect will vary slightly from country to country. Please check with your local CompuServe agent for details if you have a problem. CompuServe service allows multiple users at baud rates up to 14,400 bps.

The following connect procedure applies in most locations:

1. Set your modem to 8 bit, No parity, and One stop (8N1). This is not the normal CompuServe setting which is 7E1.
2. Dial your local CompuServe access number.
3. Depress <ENTER> and a garbage string will appear because CompuServe is expecting a 7E1 setting.
4. Type +, depress <ENTER> and Host Name: will appear.
5. Type **MCHIPBBS**, depress < ENTER > and you will be connected to the Microchip BBS.

In the United States, to find CompuServe's phone number closest to you, set your modem to 7E1 and dial (800) 848-4480 for 300-2400 baud or (800) 331-7166 for 9600-14400 baud connection. After the system responds with Host Name:

Type, **NETWORK**, depress < ENTER > and follow CompuServe's directions.

For voice information (or calling from overseas), you may call (614) 457-1550 for your local CompuServe number.

ACCESS TO THE INTERNET

Microchip's current WWW address is listed on the back page of this data sheet under Worldwide Sales & Service - Americas - Corporate Office.

Trademarks:

PICMASTER and PICSTART are trademarks of Microchip Technology Inc. PIC is a registered trademark of Microchip Technology Incorporated in the U.S.A.

PRO MATE, *fuzzyLAB*, the Microchip logo and name are trademarks of Microchip Technology Incorporated.

fuzzyTECH is a registered trademark of Inform Software Corporation.

I²C is a trademark of Philips Corporation.

IBM, IBM PC-AT are registered trademarks of International Business Machines Corp.

Pentium is a trademark of Intel Corporation.

MS-DOS and Microsoft Windows are registered trademarks of Microsoft Corporation. Windows is a trademark of Microsoft Corporation.

CompuServe is a registered trademark of CompuServe Incorporated.

All other trademarks mentioned herein are the property of their respective companies.

PIC16C54/55/56/57 PRODUCT IDENTIFICATION SYSTEM

To order or obtain information (e.g., on pricing or delivery) refer to the factory or the listed sales office.

| PART NO. | -XX | X | /XX | XXX | |
|--------------------------|--|-------------------|---------|---------|--|
| Device | Oscillator Type | Temperature Range | Package | Pattern | |
| Device | PIC16C54, PIC16C54T ⁽²⁾ PIC16C55, PIC16C55T ⁽²⁾ PIC16C56, PIC16C56T ⁽²⁾ PIC16C57, PIC16C57T ⁽²⁾ | | | | |
| Oscillator Type | RC = Resistor Capacitor LP = Low Power Crystal XT = Standard Crystal/Resonator HS = High Speed Crystal 10 = 10 MHz Crystal b ⁽¹⁾ = No type for JW ⁽³⁾ devices | | | | |
| Temperature Range | b ⁽¹⁾ = 0°C to +70°C (Commercial) I = -40°C to +85°C (Industrial) E = -40°C to +125°C (Automotive) | | | | |
| Package | JW = Windowed Cerdip P = PDIP S = Die in Waffle Pack SO = SOIC (Gull Wing, 300 mil body) SP = Skinny PDIP (28 pin, 300 mil body) SS = SSOP (209 mil body) | | | | |
| Pattern | 3-digit Pattern Code for QTP (blank otherwise) | | | | |

Examples:

- a) PIC16C54 - XT/PXXX = "XT" oscillator, commercial temp., PDIP, QTP pattern.
- b) PIC16C55 - XT/I/SO = "XT" oscillator, industrial temp., SOIC (OTP device)
- c) PIC16C55 /JW = Commercial temp. Cerdip with window.
- d) PIC16C57 - RC/S = "RC" oscillator, commercial temp., dice in waffle pack.

Note 1: b = blank
Note 2: T = in tape and reel - SOIC, SSOP packages only.
Note 3: UV erasable devices are tested to all available voltage/frequency options. Erased devices are oscillator type RC. The user can select RC, LP, XT or HS oscillators by programming the appropriate configuration bits.

PIC16CR54 PRODUCT IDENTIFICATION SYSTEM

To order or obtain information (e.g., on pricing or delivery) refer to the factory or the listed sales office.

| PART NO. | -XX | X | /XX | XXX | |
|--------------------------|--|-------------------|---------|---------|--|
| Device | Oscillator Type | Temperature Range | Package | Pattern | |
| Device | PIC16CR54, PIC16CR54T ⁽²⁾ | | | | |
| Oscillator Type | RC = Resistor Capacitor LP = Low Power Crystal XT = Standard Crystal/Resonator HS = High Speed Crystal 10 = 10 MHz Crystal | | | | |
| Temperature Range | b ⁽¹⁾ = 0°C to +70°C (Commercial) I = -40°C to +85°C (Industrial) E = -40°C to +125°C (Automotive) | | | | |
| Package | P = PDIP S = Die in Waffle Pack SO = SOIC (Gull Wing, 300 mil body) SS = SSOP (209 mil body) | | | | |
| Pattern | 3-digit Pattern Code for ROM (blank otherwise) | | | | |

Examples:

- a) PIC16CR54 - XT/P169 = "XT" oscillator, commercial temp., PDIP with ROM pattern 169.
- b) PIC16CR54 - LP I/SO592 = "LP" oscillator, industrial temp., SOIC device with ROM code 592.

Note 1: b = blank
Note 2: T = in tape and reel - SOIC, SSOP packages only.

Sales and Support

Products supported by a preliminary Data Sheet may possibly have an errata sheet describing minor operational differences and recommended workarounds. To determine if an errata sheet exists for a particular device, please contact one of the following:

1. Your local Microchip sales office (see below)
2. The Microchip Corporate Literature Center U.S. FAX: (602) 786-7277
3. The Microchip's Bulletin Board, via your local CompuServe number (CompuServe membership NOT required).

Please specify which device, revision of silicon and Data Sheet (include Literature #) you are using.

For latest version information and upgrade kits for Microchip Development Tools, please call 1-800-755-2345 or 1-602-786-7302.